



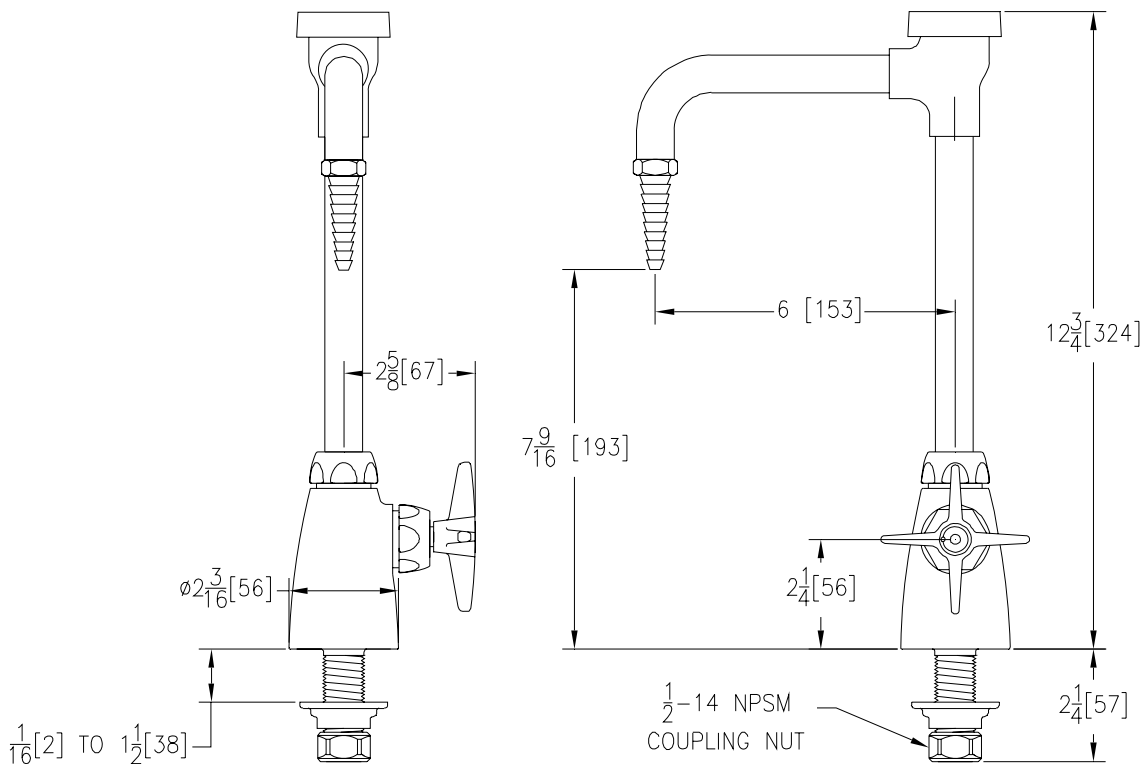
LABORATORY FAUCET - SINGLE

Z825T2-6M

TAG _____

Engineering Specifications: Zurn AquaSpec® Z825T2-6M

Polished chrome-plated single laboratory faucet with integral shank, quarter turn ceramic disc cartridge and a 4-1/2" [114mm] centerline rigid gooseneck spout with vacuum breaker. Unit is furnished with a male serrated nozzle outlet, a vandal-resistant color-coded metal four arm handle, mounting hardware and a 1/2" NPSM coupling nut for standard lavatory riser.



Note: All dimensions are for reference only. Do not use for pre-plumbing

OPTIONAL ACCESSORIES

Suffix	Description
___ -AR	Anti-Rotation Pins
___ -CS	Check Stop
___ -G	1-1/4" [32mm] Grid Strainer Drain
___ -HCT	Hot/Cold Text Indexes
___ -LP	Low Profile
___ -MY	Mixing Yoke
___ -PT	1-1/4" [32mm] Cast Brass P-Trap with a 7-1/2" [191mm] Long 17-Gauge Wall Bend

ZURN INDUSTRIES, INC. ♦ COMMERCIAL BRASS OPERATION ♦ 2640 SOUTH WORK STREET ♦ FALCONER NY 14733

Phone: 1-716-665-1132 ♦ Fax: 1-716-665-1135 ♦ World Wide Web: www.zurn.com

In Canada: ZURN INDUSTRIES LIMITED ♦ 3544 Nashua Drive ♦ Mississauga, Ontario L4V1L2 ♦ Phone: 905/405-8272 Fax: 905/405-1292