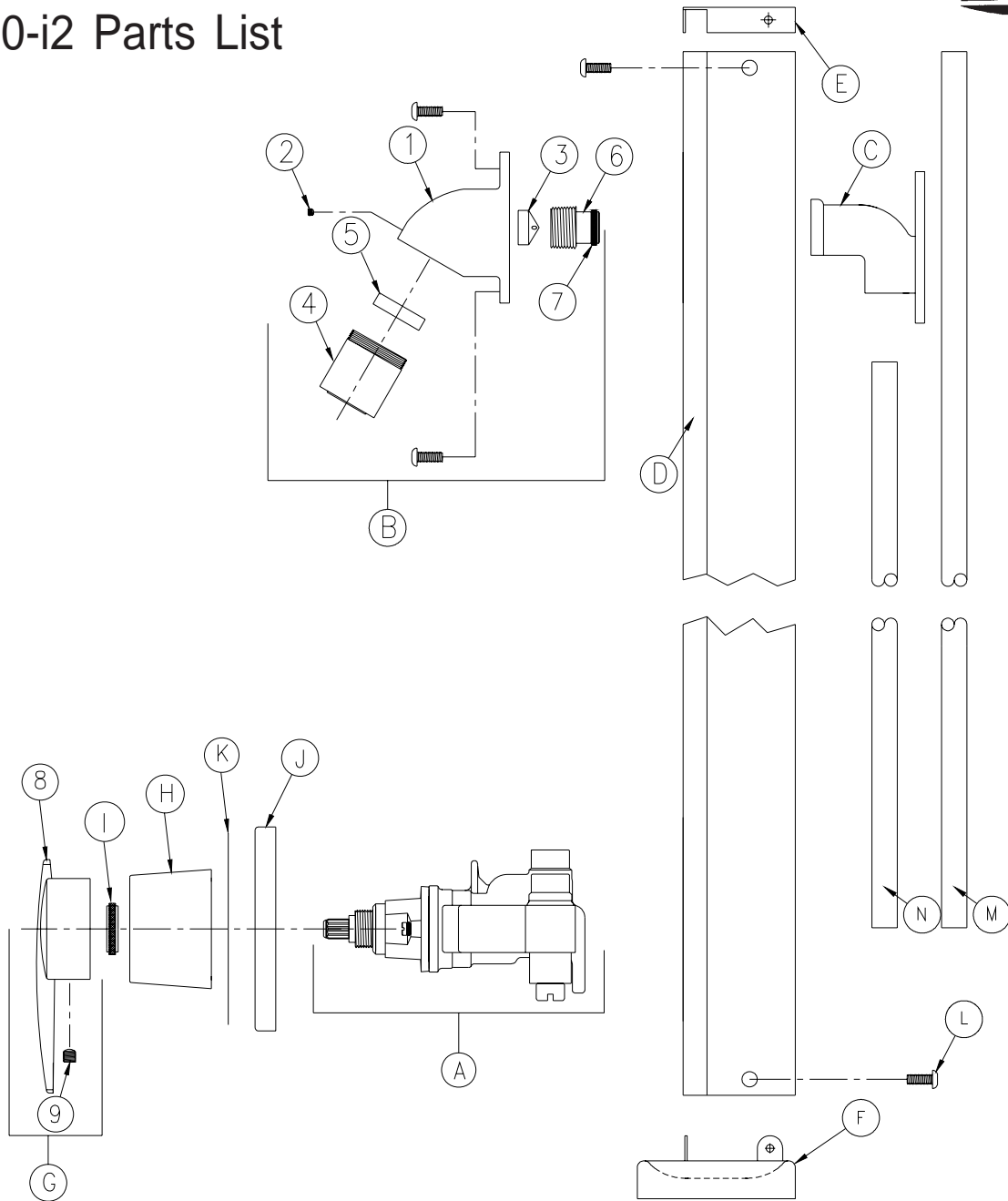


# AQUA-PANEL SHOWER UNIT



## Z7500-i2 Parts List



Item	Part Number	Description	Qty.	Item	Part Number	Description	Qty.
A	7500-100	Aqua Panel Valve Ass'y- 3 Port	1	D	7500-8	Main Cover Shroud	1
B	Z7000-i2-AQ	Institutional Wall Mount w/ i2 Shower Head	1	E	7500-8D	End Cap	1
1	7089-1CH	Institutional Body Mount	1	F	7500-93	Soap Dish	1
2	7000-11V	Set Screw	1	G	Z7000-LH	Lever Handle Assembly	1
3	7000-12E	Flow Control Washer	1	8	7000-6F	Stem Handle	1
4	7000-85i2	Spray Cylinder	1	9	7000-11G	Stem Handle Set Screw	1
5	7000-13	Spray Cylinder Gasket	1	H	7500-81	Primary Escutcheon	1
6	7500-19	Inlet Adaptor	1	I	7500-9	Escutcheon Nut	1
7	4013N	Quad Ring	1	J	7500-81H	Dial Plate Escutcheon	1
C	7500-17-010F	Wall Mounting Bracket	1	K	T7500	Dial Plate Tag	1
				L	7500-11AV	Screw	13
				M	7500-21	Pipe Inlet	2
				N	7500-21B	Pipe Outlet	1

ZURN INDUSTRIES, INC. ♦ COMMERCIAL BRASS OPERATION ♦ 2640 SOUTH WORK STREET ♦ FALCONER NY 14733

Phone: 1-716-665-1132 ♦ Fax: 1-716-665-1135 ♦ World Wide Web: www.zurn.com

In Canada: ZURN INDUSTRIES LIMITED ♦ 3544 Nashua Drive ♦ Mississauga, Ontario L4V1L2 ♦ Phone: 905/405-8272 Fax: 905/405-1292