

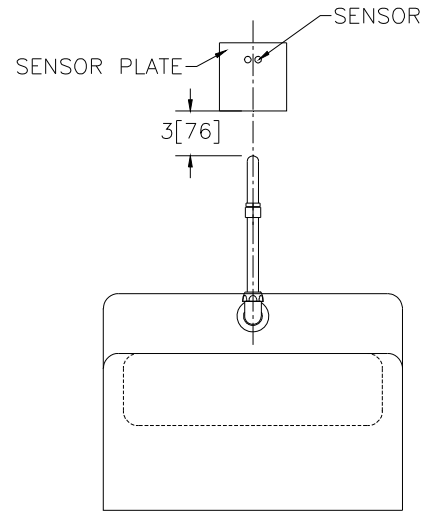
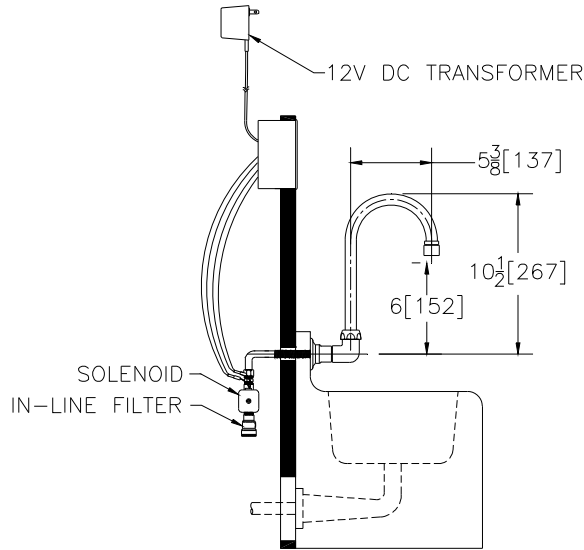


AquaSense®

TAG _____

Z6903-75

AquaSense Hardwired Sensor Operated Lavatory Faucet



Suffix Options (Check/Specify Appropriate Options)

- _____ -C 2.2 GPM Vandal-Resistant Aerator
- _____ -E 1.5 GPM Vandal-Resistant Aerator
- _____ -F 0.5 Vandal-Resistant Aerator
- _____ -GA 3-1/2" Gooseneck Spout
- _____ -GC 8" Gooseneck Spout
- _____ -J 1.5 Laminar Flow Control
- _____ -K 1.0 Laminar Flow Control
- _____ -L 1.0 Vandal-Resistant Aerator
- _____ -LT Less 30 Second Timer
- _____ -MT Mixing Tee
- _____ -MV Temperature Mixing Valve
- _____ -SO Spray Outlet
- _____ -TMV Thermostatic Mixing Valve
- _____ -TMV-1 Thermostatic Mixing Valve for Single Faucets
- _____ Other

ENGINEERING SPECIFICATION: ZURN Z6903-75 AquaSense Hardwired Sensor Operated Lavatory Faucet-

The AquaSense faucet is a sensor operated brass faucet with a polished chrome exterior. The faucet incorporates a 12 VDC solenoid valve, an adjustable range on-approach wall mounted sensor, and a splash mounted gooseneck faucet with 2.0 gpm vandal resistant aerator. The faucet is furnished complete with a 120 VAC/12 VDC plug-in power converter, solenoid valve, in-line filter, and electrical box cover plate with attachment screws. Electrical box by others.

NOTE: Must use either Zurn P6000-HW12 hardwire power converter or Zurn P6900-PCF12 plug-in power converter to ensure proper operation. The P6000-HW12 will power up to 8 sensor faucets. Order P6000-HW12 power converter separately. using a power converter other than Zurn may result in operation malfunction or unit failure.

This space is for Architectural/engineering Approval

ZURN INDUSTRIES, LLC. ♦ COMMERCIAL BRASS OPERATION ♦ 5900 ELWIN BUCHANAN DRIVE ♦ SANFORD NC 27330

Phone: 1-800-997-3876 ♦ Fax: 919-775-3541 ♦ World Wide Web: www.zurn.com

In Canada: ZURN INDUSTRIES LIMITED ♦ 3544 Nashua Drive ♦ Mississauga, Ontario L4V1L2 ♦ Phone: 905-405-8272 Fax: 905-405-1292