



TEMP-GARD INSTITUTIONAL SHOWER WALL MOUNT W/ BALL JOINT SHOWER HEAD

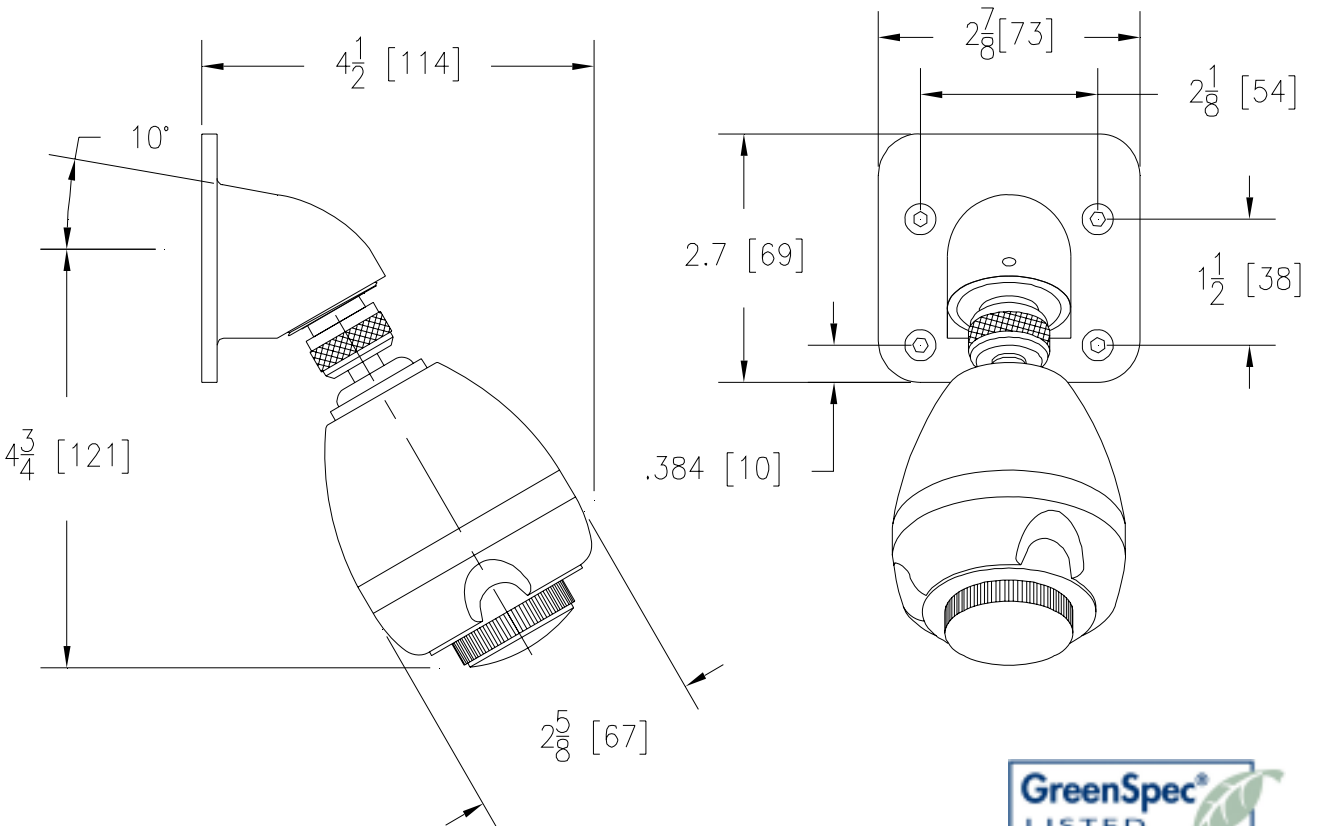
Z7000-i9

TAG _____



Engineering Specifications: Zurn Z7000-i9

Chrome plated plastic shower head, chrome plated brass ball joint connector, and bronze body institutional wall mount with hard chrome plated finish. 1.5 GPM [5.7 L] flowrate with non-removable flow compensator, which keeps flowrate constant regardless of water pressure. Comes standard with 1/2" NPT female threaded inlet, outer ring spray adjustment for coarse or soft message spray, and 4 mounting screws. Vandal resistant.



Note: All dimensions are for reference only. Do not use for pre-plumbing.

OPTIONAL ACCESSORIES

Suffix	Description
— -AP	Anchor Plate
— -BP	Base Plate

STANDARDS

Designed to meet the following standards for valves and plumbing fittings:
ASME A112.18.1/CSA B125.1

ZURN INDUSTRIES, LLC ♦ COMMERCIAL BRASS OPERATION ♦ 2640 SOUTH WORK STREET ♦ FALCONER NY 14733

Phone: 1-716-665-1132 ♦ Fax: 1-716-665-1135 ♦ World Wide Web: www.zurn.com

In Canada: ZURN INDUSTRIES LIMITED ♦ 3544 Nashua Drive ♦ Mississauga, Ontario L4V1L2 ♦ Phone: 905/405-8272 Fax: 905/405-1292