



Z5665.214.00.00.00

1.28 GPF Elongated, Floor Mounted, ADA Height, EcoVantage Manual Flush Valve Toilet TAG System



Z5665 HET Series

- Zurn One HET Toilet System designed for optimal performance between Zurn fixture and Zurn flush valve to save water.
- 1.28 gpf (gallons per flush) 4.8 Lpf
- 20% water savings over standard 1.6 gpf system
- Vitreous china
- Elongated front rim
- 2" fully glazed trapway
- High efficiency siphon jet flush action
- Zurn product system component compatibility and quality assurance
- Shipping Weight: 68 lbs.

Z5665 Series

Recommended Trim:

- Z5955SS-EL** Elongated, standard white, open front toilet seat less cover with stainless steel check hinge.
- Z5972-COMB** Closet bolt/wax ring kit.

Note:

To ensure system performance:
minimum running water pressure = 25 psi

These dimensions and specifications are subject to change without notice.

Fixture dimensions meet ANSI/ASME standard A112.19.2 and CAN/CSA B45 requirements.

Meets the American Disabilities Guidelines and ANSI A117.1 requirements when installed according to these requirements.



Distributed by:

WaterWise Technologies International
P.O. Box 18959 · Asheville, NC 28804

www.waterwisetech.net
828.252.8144

Engineering Specification: Z5665.214.00.00.00 EcoVantage High Efficiency Toilet System

-System comes complete with exposed hand operated Z6200PEV high efficiency flushometer valve and floor mounted, vitreous china toilet. The system is designed to perform to industry standards with as little as 1.28 gallons per flush. The EcoVantage manual valve is an exposed, quiet piston type with self cleaning by-pass, chrome plated flushometer valve with a polished exterior. The valve has a non-hold open and no leak handle feature, high back pressure vacuum breaker, one piece hex coupling nut, adjustable tailpiece, spud coupling and flange for top spud connection. Control stop has internal siphon guard protection. Internal seals are made of chloramine resistant materials. Vitreous china toilet is 1-1/2" top spud with 2" fully glazed trapway and siphon jet action. Valve and toilet are an engineered system designed to provide optimal performance and 20% water savings over 1.6 gpf conventional toilets.

This space is for Architectural/engineering Approval

See Zurn One Systems for suggested packages.

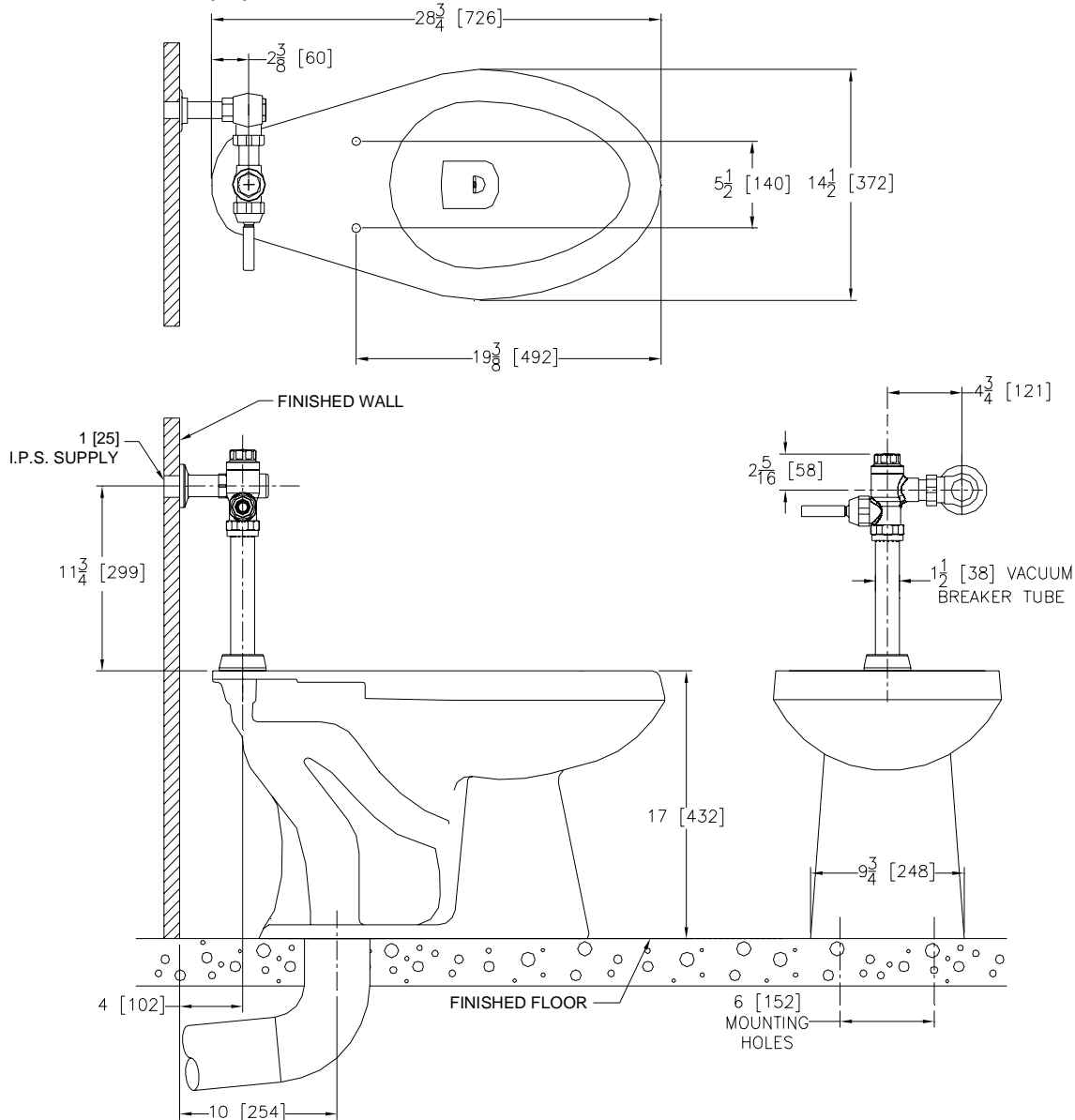


Z5665.214.00.00.00

1.28 GPF Elongated, Floor Mounted, ADA Height, EcoVantage Manual Flush Valve Toilet System Rough-In TAG _____

Rough-in dimensions for Z5665 Series

- Z5665.214.00.00.00 with top spud



These dimensions and specifications are subject to change without notice.

Fixture dimensions meet ANSI/ASME standard A112.19.2 and CAN/CSA B45 requirements.

Meets the American Disabilities Guidelines and ANSI A117.1 requirements when installed according to these requirements.



Distributed by:

WaterWise Technologies International
P.O. Box 18959 · Asheville, NC 28804

www.waterwisetech.net
828.252.8144