



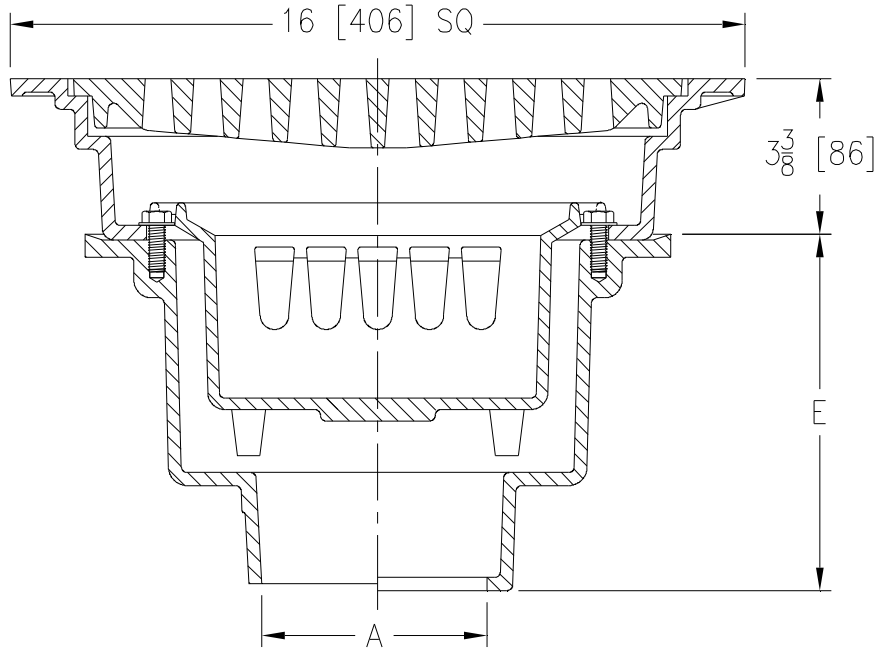
# Z662

## 16 [406] HEAVY-DUTY DRAIN

SPECIFICATION SHEET

TAG \_\_\_\_\_

Dimensional Data (inches and [ mm ]) are Subject to Manufacturing Tolerances and Change Without Notice



A Pipe Size	Approx. Wt. Lbs. [kg]	Grate Open Area Sq. In. [cm <sup>2</sup> ]
3, 4 [76, 102]	95 [43]	53 [342]
5, 6 [127, 152]	98 [44]	

**ENGINEERING SPECIFICATION: ZURN Z662**

16 [406] Square top drain, Dura-Coated cast iron body with bottom outlet, seepage pan and combination membrane flashing clamp and frame for heavy-duty slotted loose grate with suspended sediment bucket.

**OPTIONS** (Check/specify appropriate options)

**PIPE SIZE**

- 3 thru 6 [76 thru 152]
- 3, 4, 6 [76, 102, 152]
- 3 [76]
- 4 thru 6 [102 thru 152]
- 3 thru 6 [76 thru 152]
- 3, 4 [76, 102]

(Specify size/type) **OUTLET**

- \_\_\_ IC Inside Caulk
- \_\_\_ IG Inside Gasket
- \_\_\_ IP Threaded
- \_\_\_ IP Threaded
- \_\_\_ NH No-Hub
- \_\_\_ NL Neo-Loc

**'E' BODY HT. DIM.**

- 7-3/4 [197]
- 7-3/4 [197]
- 6-1/16 [154]
- 6-5/16 [160]
- 7-13/16 [198]
- 7-3/16 [183]

**PREFIXES**

- \_\_\_ Z D.C.C.I. Body and Top\*
- \_\_\_ ZB D.C.C.I Body w/ Polished Bronze Top (Add 3/16 [5] to 3-3/8 [86] and 11/16 [17] to 16 [406] Dim.)
- \_\_\_ ZN D.C.C.I Body w/ Polished Nickel Bronze Top (Add 3/16 [5] to 3-3/8 [86] and 11/16 [17] to 16 [406] Dim.)

**SUFFIXES**

- \_\_\_ -DG Duresist Grate
- \_\_\_ -G Galvanized Cast Iron
- \_\_\_ -HP Heel-Proof Grate
- \_\_\_ -LY (Less) Sediment Bucket
- \_\_\_ -PK Precast Kit
- \_\_\_ -SS Stainless Mesh Liner for Bucket
- \_\_\_ -TC Neo-Loc Test Cap Gasket  
(3 [76] - 4 [102] NL Bottom Outlet Only)
- \_\_\_ -TS Top Secured with Slotted Screws
- \_\_\_ -V Backwater Valve (See Z1099)
- \_\_\_ -VP Vandal-Proof Secured Top
- \_\_\_ -YA Aluminum Sediment Bucket
- \_\_\_ -90 90° Threaded Side Outlet Body

\*REGULARLY FURNISHED UNLESS OTHERWISE SPECIFIED

**REV. J      DATE: 11/8/10      C.N. NO. 120328**

**DWG. NO. 59248      PRODUCT NO. Z662**

ZURN INDUSTRIES, LLC ♦ SPECIFICATION DRAINAGE OPERATION ♦ 1801 Pittsburgh Ave. ♦ Erie, PA 16514

Phone: 814455-0921 ♦ Fax: 814454-7929 ♦ World Wide Web: [www.zurn.com](http://www.zurn.com)

In Canada: ZURN INDUSTRIES LIMITED ♦ 3544 Nashua Drive ♦ Mississauga, Ontario L4V1L2 ♦ Phone: 905405-8272 Fax: 905405-1292