

Your Peace of Mind is Our Top Priority®

FM2540

0312

Supersedes

0111

Product information presented here reflects conditions at time of publication. Consult factory regarding discrepancies or inconsistencies.



PUMP COMPANY

Zoeller Family of Water Solutions™

MAIL TO: P.O. BOX 16347 • Louisville, KY 40256-0347

SHIP TO: 3649 Cane Run Road • Louisville, KY 40211-1961
(502) 778-2731 • 1 (800) 928-PUMP • FAX (502) 774-3624

visit our web site:
www.zoeller.com



MODEL 503

WATER POWERED EMERGENCY BACKUP
SUMP PUMP SYSTEM
PVC CONSTRUCTION
PREINSTALLATION CHECKLIST

1. **Inspect your pump.** Occasionally, products are damaged during shipment. If the unit or any of the parts are damaged, contact your dealer before using.
2. **Read all the installation instructions** regarding installing and start up before performing any of the work described within. Retain for future reference.



WARNING

SEE BELOW FOR LIST OF WARNINGS

1. **For your protection always disconnect the power supply** from its power source before handling the components of your primary pump.

CAUTION

SEE BELOW FOR LIST OF CAUTIONS

1. This pump is designed for handling clear water. Do not use in septic tanks to pump effluent or sewage pits to pump sewage.
2. Repair and service of your backup system should be performed by an authorized service station.
3. The installation of this backup pump requires the use of a variable level float switch for operation. It is the responsibility of the installing party, to ensure that the float switch will not hang up on the pump apparatus or

pit peculiarities and is secured so the pump will turn "on" and "off". It is recommended that the pit be 18" in diameter or larger to accommodate both a primary and a backup pump.

4. Check the installation of the primary and backup pump floats to ensure that both move freely and are not being encroached upon where the float cannot move. Adequate space between the floats must be maintained.

5. The pump should be manually activated once a month by lifting the float rod. Let the pump run for at least 15 seconds to prevent the pump from building up calcium deposits and debris, which could harm the pump.

CAUTION Turbulence caused by high velocity incoming water can negatively affect the on/off action of the float mechanism. If this condition exists, the incoming water must be baffled to avoid excessive turbulence.

REFER TO WARRANTY ON PAGE 2.

Limited Warranty

Manufacturer warrants, to the purchaser and subsequent owner during the warranty period, every new product to be free from defects in material and workmanship under normal use and service, when properly used and maintained, for a period of two years from date of manufacture. Parts that fail within the warranty period, that inspections determine to be defective in material or workmanship, will be repaired, replaced or remanufactured at Manufacturer's option, provided however, that by so doing we will not be obligated to replace an entire assembly, the entire mechanism or the complete unit. No allowance will be made for shipping charges, damages, labor or other charges that may occur due to product failure, repair or replacement.

This warranty does not apply to and there shall be no warranty for any material or product that has been disassembled without prior approval of Manufacturer, subjected to misuse, misapplication, neglect, alteration, accident or act of God; that has not been installed, operated or maintained in accordance with Manufacturer's installation instructions; that has been exposed to outside substances including but not limited to the following: sand, gravel, cement, mud, tar, hydrocarbons, hydrocarbon derivatives (oil, gasoline, solvents, etc.), or other abrasive or corrosive substances, wash towels or feminine sanitary products, etc. in all pumping applications. The warranty set out in the paragraph above

is in lieu of all other warranties expressed or implied; and we do not authorize any representative or other person to assume for us any other liability in connection with our products.

Contact Manufacturer at, 3649 Cane Run Road, Louisville, Kentucky 40211, Attention: Customer Service Department to obtain any needed repair or replacement of part(s) or additional information pertaining to our warranty.

MANUFACTURER EXPRESSLY DISCLAIMS LIABILITY FOR SPECIAL, CONSEQUENTIAL OR INCIDENTAL DAMAGES OR BREACH OF EXPRESSED OR IMPLIED WARRANTY; AND ANY IMPLIED WARRANTY OF FITNESS FOR A PARTICULAR PURPOSE AND OF MERCHANTABILITY SHALL BE LIMITED TO THE DURATION OF THE EXPRESSED WARRANTY.

Some states do not allow limitations on the duration of an implied warranty, so the above limitation may not apply to you. Some states do not allow the exclusion or limitation of incidental or consequential damages, so the above limitation or exclusion may not apply to you.

This warranty gives you specific legal rights and you may also have other rights which vary from state to state.

In those instances where damages are incurred as a result of an alleged pump failure, the homeowner must retain possession of the pump for investigation purposes.

Helpful Hints For Easy Installation

1. The system is designed for installation in sumps with minimum diameter of 18" and depth of 22". For smaller applications, consult factory.
2. Remove all debris from the pit before installation.
3. Be sure that the pump is clamped securely to the primary pump discharge pipe and that the two pumps do not interfere with each other.
4. Install a serviceable check valve in the discharge line.
5. Install a filter or strainer in the water supply line before the pump. Size the filter/strainer properly to minimize pressure drop, while retaining particles 0.020" (0.5 mm) in diameter and larger.
6. Test the unit immediately after installation. Refer to STEP 5.
7. Check the Float ON/OFF levels per STEP 2 of the instructions.
8. Keep the model number, date code, and installation instructions in a convenient location for future reference.

Do's And Don't's For Installing A Unit

1. DO read all installation materials supplied with the pump.
2. DO inspect unit for any visible damage caused by shipping. Contact dealer if unit appears to be damaged.
3. DO clean all debris from the pit before installation.
4. DO install a union check valve (see STEP 3) in the discharge line. DO NOT use a discharge pipe smaller than the recommended pump discharge sizes.
5. DO install a filter or strainer in the water supply line before the pump to prevent small particles from clogging the operating valve.
6. DO test the pump immediately after installation to be sure that the system is working properly.
7. DO review all applicable local and national codes and verify that the installation conforms to each of them.
8. DO NOT use the Home Guard® Max with hot water. DO NOT use the Home Guard® Max to remove wastewater, sewage, effluent, or water with debris in it.
9. DO NOT use a garden hose. Garden hose is not designed to hold municipal pressure indefinitely and could leak or burst causing flooding. The Home Guard® Max requires a permanent piping method such as copper, PEX, or CPVC.
10. DO install the HomeGuard® Max pump with only a ¾" supply line.

Installation

The Home Guard® MAX pump can be installed very easily as a standby to an electric sump pump (see sketches). However, a check valve is required between the electric pump and the Home Guard® MAX.

Note 1: Per the Uniform Plumbing Code and the Plumbing Codes of some states, installation of this product requires the use of a RPZ backflow protection device. Contact your local plumbing or water authority for more information regarding the requirements for your specific area.

Note 2: Per the Uniform Plumbing Codes and IAPMO PS119, the discharge of the water-powered sump pump should not be connected to the discharge of the primary sump pump.

STEP 1: Placement of the Pump in the Pit

Note: If your pit has a cover, it will have to be modified to accommodate the Home Guard® Max pump.

- 1.1) Inspect the pit for debris and clean as necessary.
- 1.2) Place the pump in the pit, making certain that the inlet fitting of the pump is at least 6" above the basement floor or top of the sump pit. Ensure the pump is clamped securely to the primary pump discharge pipe. Mark the location on the discharge pipe.

▲ IMPORTANT This pump is to be used as a backup to your primary pump. Make certain that there is no interference between the two pumps, especially between the float systems.

STEP 2: Pump Float Stop Adjustment

- 2.1) With the Home Guard® Max pump in the pit, measure the desired float ON position (this should be a few inches above the ON level of the existing pump). The pump turns on at a water level of 2" to 3" below the upper float stop, depending on the incoming water pressure. Calculate the appropriate float stop location based on this distance.
- 2.2) The OFF level is determined by the buoyancy of the float as well as the incoming water pressure, roughly 6" to 8" below the ON level. The OFF level must be above the suction screen of the foot valve. Adjusting the lower float stop will not change the OFF level of the pump. It is recommended to install the lower stop tight to the bottom of the float so that it cannot move on the float rod.
- 2.3) Remove the pump from the pit and adjust the float stops as necessary. Tighten all screws. Be sure to tighten the lower stop properly so that it will not come off. If the lower stop comes off, the float can drop off the float rod, rendering the pump non-operational and possibly damaging the pump.
- 2.4) Replace the pump in the pit at the same location on the primary pump discharge pipe as marked earlier (Step 1.2). This will ensure that the ON and OFF levels are consistent with the calculations.

STEP 3: Installation of the Discharge Piping

- 3.1) Glue 1½" pipe into the pump discharge connection as shown in the figure on page 5 (reference SK2721B).
- 3.2) Per the Uniform Plumbing Codes and IAPMO PS119, the discharge of the water-powered sump pump should not be connected to the discharge of the primary sump pump.
- 3.3) In order for this installation to work properly, a check valve must be installed onto the discharge line. The following Zoeller check valves are recommended: 30-0100; 30-0101; 30-0102; 30-0103. Some local codes require a union check with ball valve. Check your local code requirements to ensure that the installation complies.

STEP 4: Installation of the Source Water Piping

- 4.1) Shut off the municipal water supply and plumb ¾" tubing/piping into the municipal water supply line. This must be branched off of a ¾" line and plumbed with ¾" tubing/piping to the Home Guard® Max. Do not use garden hose or other flexible hose/tubing. Install a shut off valve in the ¾" supply line to the Home Guard® Max. Use the appropriate back-flow prevention for your jurisdiction.

Installation (Continued)

STEP 4: (Continued)

- 4.2) Do not braze/solder copper fittings within 18" of Home Guard® Max, as the heat from the torch will damage the pump body.
- 4.3) When assembling threaded fittings into the Home Guard® Max inlet, do not use pipe dope on the inlet threads, use PTFE (Teflon®) sealing tape. Take special care to keep any debris (including pieces of tape) from entering the inlet fitting that might get caught in the operating valve.
- 4.4) The Home Guard® Max includes a field installed Push-to-Connect fitting. This fitting is designed to be used with ¾" PEX, CPVC, or copper pipe. The fitting must be installed on the ¾" NPT thread of the pump inlet fitting. **Caution must be used when installing the fitting to not over tighten the inlet fitting and crack the body. Using a backup wrench, hold the inlet fitting while tightening the Push-to-Connect fitting.** If the Push-to-Connect fitting is not used, the same precaution must be used when installing any other fitting to the inlet fitting.
- 4.5) Purge the water line prior to connecting to the Home Guard® Max to ensure that debris does not enter the unit and clog the operating valve.
- 4.6) If using the Push-to-Connect fitting, cut the tube so that the ends are square. Ensure that there are no burrs or damage to the cut end. Once the tubing end is cut square and clean, scribe a depth mark on the outside of the tubing 1" from the end. Insert the tube through the release collar to rest against the grab ring. Push the tube firmly with a slight twisting action until it reaches the tube stop. The depth mark should be up to the end of the release collar. The tube liner is not necessary with CPVC or Copper tubing, and may be removed based on preference or local codes. The tube liner can be easily removed by pulling it out with a needle nosed pliers.
- 4.7) Once the pump has been installed and the municipal water source connected, open the municipal water source valve and the supply line valve. Inspect the valve body and all connections looking for leaks. Close the municipal water valve and fix any leaks before operating the pump.

STEP 5: Testing of Pump Operation

- 5.1) Unplug the primary pump so that it does not start.
- 5.2) Fill the sump with water until the Home Guard® Max starts. NOTE: The sump must be full of water for the pump to shut off properly.
- 5.3) Verify that the pump starts and stops at the desired ON/OFF points.
- 5.4) Verify that there are no leaks in the discharge line.
- 5.5) If adjustment is necessary, raise or lower the stops according to STEP 2.
- 5.6) If the pump is not operating properly after following the above steps, refer to the Troubleshooting guide.
- 5.7) When finished testing, plug primary pump back into AC receptacle.
- 5.8) Adjust alarm reed switch (optional) to desired level, if necessary. Refer to FM2571 for Alarm System Instructions. Be sure to install 9V battery in Alarm Panel.

WATER PRESSURE:

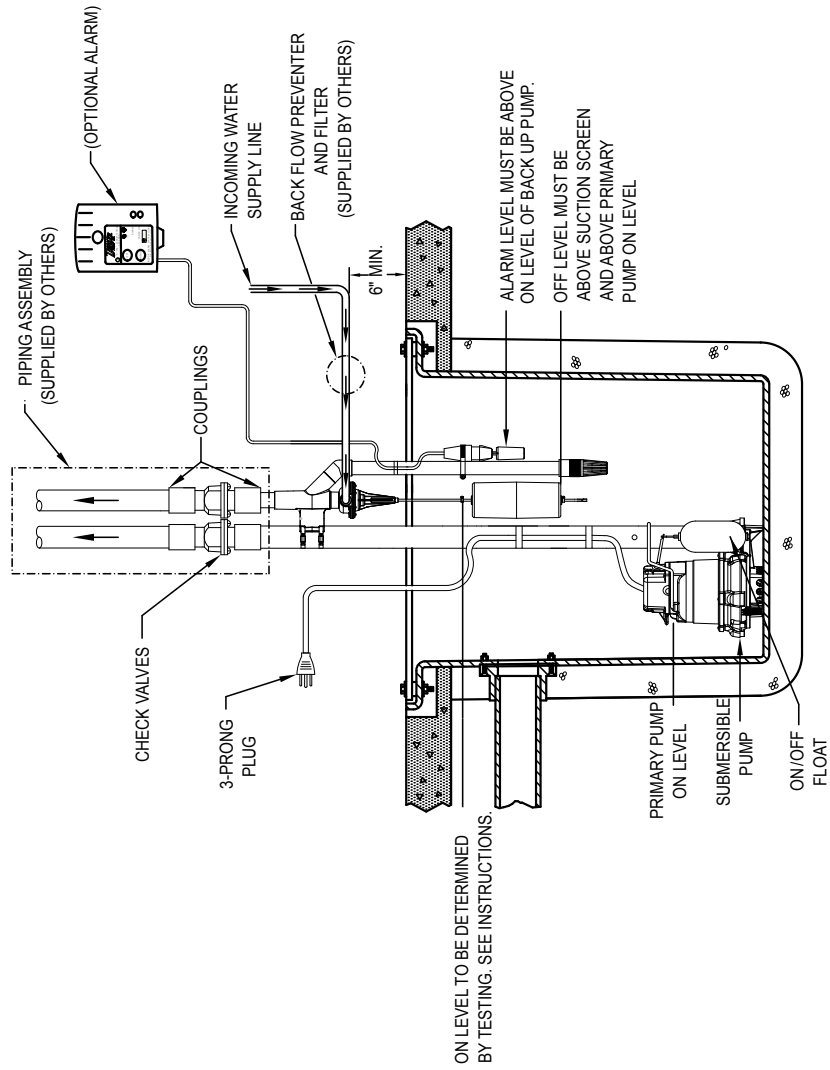
- 20 PSI minimum with valve open.
- 80 PSI maximum with valve open.
- 100 PSI maximum with valve closed.

EFFICIENCY:

The pumping capacity increases with household water pressure and flow.

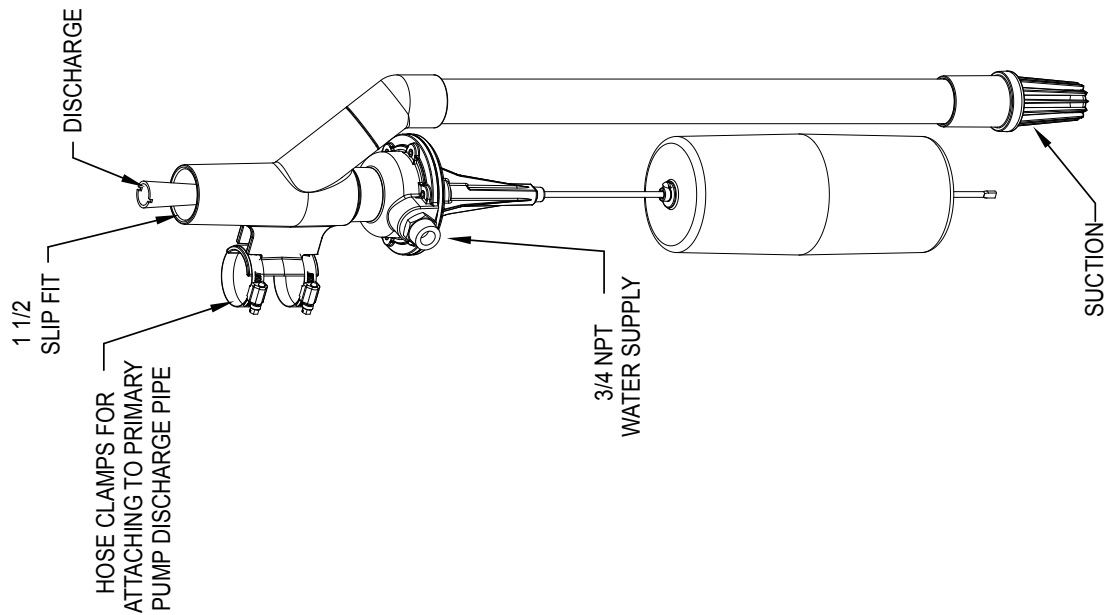
At an eight-foot static head and a supply pressure of 20 PSI at water supply inlet with water flowing, it takes one (1) gallon of supply water to remove one gallon from the sump. As the supply pressure increases with the static head constant, less supply water is required.

Typical Installation with Submersible Pump and Separate Discharge Pipe



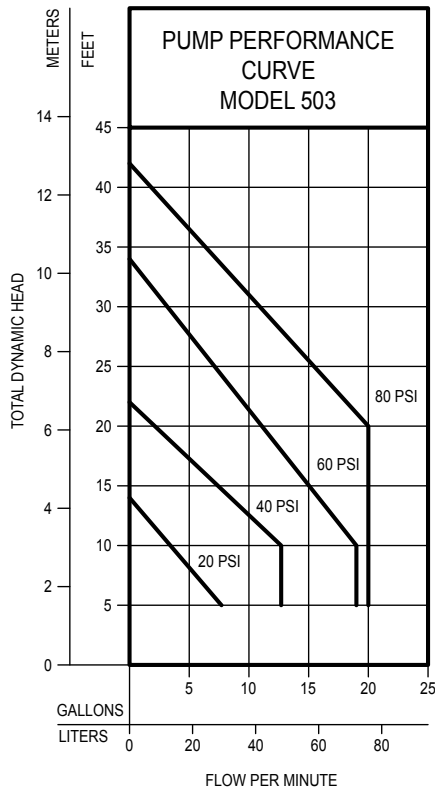
SK2721

Pump Details



SK2720

Performance Characteristics



**TOTAL DYNAMIC HEAD/FLOW
PER MINUTE
DEWATERING ONLY**

MODEL		503							
		20 PSI		40 PSI		60 PSI		80 PSI	
Feet	Meters	Gal.	Liters	Gal.	Liters	Gal.	Liters	Gal.	Liters
5	1.5	7.7	29.1	12.7	48.1	19.0	72.0	20.0	75.7
10	3.0	3.4	12.9	12.7	48.1	19.0	72.0	20.0	75.7
15	4.6	—	—	7.4	28.0	15.0	56.8	20.0	75.7
20	6.1	—	—	2.0	7.6	11.1	42.0	20.0	75.7
25	7.6	—	—	—	—	7.1	26.9	15.3	57.9
30	9.1	—	—	—	—	3.2	12.1	10.9	41.3
35	10.7	—	—	—	—	—	—	6.4	24.2
40	12.2	—	—	—	—	—	—	1.8	6.8
Shut-off Head:		14.0 ft. (4.3m)		22.0 ft. (6.7m)		34.0 ft. (10.4m)		42.0 ft. (12.8m)	

018586

Pump capacity varies due to: Inlet Water Pressure, Working Water Pressure, Discharge Elevation, Number of Pipe Fittings, Inlet and Outlet Pipe Size, Fluid Viscosity, Degree of Water Clarity, Water Temperature. The flow rates in the chart are approximate values.

NOTE: Some districts may require a reduced pressure principle backflow preventer per ASSE Standards 1013. Check Local Codes.

Troubleshooting Guide

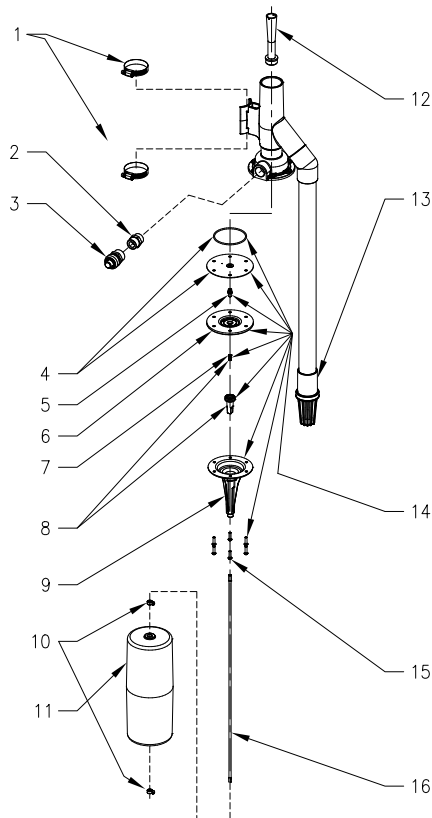
CONDITION		POSSIBLE CAUSE	REMEDY
A	PUMP WILL NOT START OR RUN	Inadequate incoming water pressure.	Check incoming water line for closed valve, low water pressure or clogged filter/strainer.
		Excessive incoming water pressure.	Install regulator and reduce pressure below 100 PSI with valve closed.
		Debris around Intake.	Clear debris from pit and foot valve strainer.
		Float hung up on pit or primary pump	Move pumps so that the floats move freely and do not contact pit, piping or each other.
B	PUMP STARTS TOO SOON	Float "ON" point is adjusted too low.	Refer to STEP 2.
C	PUMP WILL NOT SHUT OFF	Float is obstructed.	Inspect float operation and correct problem.
		Float "OFF" point is adjusted too low.	Refer to STEP 2.
		Foot Valve above water level.	Adjust Float - Refer to STEP 2.
		Internal valve diaphragm vent hole is plugged with debris.	Turn off water supply to pump and back on repeatedly to dislodge debris. If this process does not remedy the problem, service pump to clear debris or replace valve assembly.
		Water level in sump pit was below foot valve when pump was activated.	Turn off water supply to pump. Fill pit with water until the float valve is submerged. Turn on water supply and activate float by hand. Allow pump to run for 3-5 seconds and release float before the foot valve is above the water level. Pump should shut off normally.
D	PUMP OPERATES BUT DELIVERS LITTLE OR NO WATER	Debris around Intake.	Clear debris from pit and foot valve strainer.
		Inadequate incoming water pressure.	Check incoming water line for closed valve or low water pressure.
		Blockage in discharge pipe.	Remove pipe and flush out debris.
		Foot Valve above water level.	Adjust Float - Refer to STEP 2.
		Vertical lift too high.	Change discharge piping or contact technical service.

Illustrated Parts Breakdown

HOME GUARD® SERVICE PARTS - MODEL 503				503-A&B	503-C	503-D	503-E
ITEM	DESCRIPTION	QTY	NOTES	10/08 thru 02/10	03/10 thru 10/10	11/10 thru 05/11	06/11 thru Current
1	Clamps	2	*	001766	001766	001766	001766
2	Backflow valve assembly	1		018587	018587	018587	018587
3	Push connect fitting	1		018584	018584	018584	018584
4	Diaphragm and O-ring	1	*	018588	150553	150553	150553
5	Plunger assembly	1	*	018589	018589	018589	018589
6	Nozzle seat	1		018588	018588	018588	151713
7	Spring	1	*	018564	018564	018564	018564
8	Float rod magnet guide assembly	1		150084	150084	150084	150084
9	Float rod guide	1		150085	150085	150741	150741
10	Float stop assembly	2	*	054085	054085	054085	054085
11	Float	1		018567	018567	018567	018567
12	Venturi	1		4C5532	4C5532	4C5532	4C5532
13	Foot valve	1	**	150260	150260	150260	150260
14	Valve assembly	1		150101	150101	150101	150101
15	Screws	6	*	001885	001885	001885	001885
16	Float rod, long	1		018583	018583	018583	018583
	Float rod, short		N/A	N/A	N/A	151708	
*	Rebuild kit	1		150086	150554	150554	150554

* Items included in rebuild kit.

** Foot valve will need to be cut off as close to top of valve as possible and a new one glued in place.



SK2741



PUMP COMPANY

MAIL TO: P.O. BOX 16347 • Louisville, KY 40256-0347
SHIP TO: 3649 Cane Run Road • Louisville, KY 40211-1961
(502) 778-2731 • 1 (800) 928-PUMP • FAX (502) 774-3624

Your Peace of Mind is Our Top Priority®

visit our web site:
www.zoeller.com

AVISO AL INSTALADOR: Las instrucciones deben permanecer en el sitio donde se realice la instalación.

Su Tranquilidad es Nuestra Prioridad®



FM2540S

La siguiente información sobre este producto refleja las condiciones existentes en la fecha de publicación. Se debe consultar a la fábrica cualquier discrepancia o inconsistencia que exista.

PUMP COMPANY

Zoeller Family of Water Solutions™

CORREO A: P.O. BOX 16347 • Louisville, KY 40256-0347
ENVÍOS A: 3649 Cane Run Road • Louisville, KY 40211-1961
(502) 778-2731 • 1 (800) 928-PUMP • FAX (502) 774-3624

Visite nuestro sitio web:
www.zoeller.com



MODELO 503

**SISTEMA DE BOMBA DE SUMIDERO AUXILIAR
DE EMERGENCIA ACCIONADA POR AGUA
FABRICADO EN PVC
LISTA DE VERIFICACIÓN PARA LA PREINSTALACIÓN**

1. Inspeccione la bomba. Los productos se dañan ocasionalmente durante el transporte. Si la unidad o cualquiera de sus componentes tiene daños, comuníquese con su proveedor antes de utilizarla.
2. Lea todas las instrucciones de instalación y arranque antes de realizar cualquiera de las labores descritas en el presente documento. Consérvelas para referencia futura.



▲ ADVERTENCIA

VER ABAJO LA LISTA DE ADVERTENCIAS

1. **Protéjase; desconecte siempre el suministro de energía** de la fuente de alimentación antes de manipular los componentes de la bomba primaria.

▲ PRECAUCIÓN

VER ABAJO LA LISTA DE PRECAUCIONES

1. Esta bomba ha sido diseñada para aguas claras. No la use en tanques sépticos para bombear efluentes o en fosos cloacales para bombear aguas negras.
2. Todo trabajo de reparación y mantenimiento de su sistema auxiliar debe ser realizado por un servicio de mantenimiento autorizado.
3. La instalación de esta bomba auxiliar requiere un interruptor de flotador de nivel variable para su funcionamiento. El instalador debe asegurarse de que la bomba y las peculiaridades del foso

no interfieran con el interruptor de flotador y de que este esté bien instalado para que la bomba se encienda y apague. Se recomienda que el foso tenga un diámetro de 46 cm (18 pulgadas) o más para que quepan una bomba primaria y una bomba auxiliar.

4. Verifique la instalación de los flotadores de las bombas primaria y auxiliar para asegurarse de que ambas se muevan libremente y no haya obstáculos que interfieran con su desplazamiento. Se debe mantener una distancia apropiada entre los flotadores.
5. La varilla de los flotadores se debe alzar una vez al mes para activar la bomba manualmente. Mantenga la bomba encendida durante por lo menos 15 segundos para prevenir la acumulación de depósitos de calcio y escombros que podrían dañarla.

▲ PRECAUCIÓN La turbulencia causada por el agua que entra a alta velocidad podría afectar negativamente la acción de encendido y apagado del mecanismo del flotador. Si ocurre esta condición, se debe amortiguar el agua que entra para evitar la turbulencia excesiva.

REFIÉRASE A LA GARANTÍA EN LA PÁGINA 2.

Garantía limitada

El Fabricante garantiza, al comprador y el propietario subsiguiente durante el período de garantía, que cada producto nuevo está libre de defectos en materiales y mano de obra bajo condiciones de uso y servicio normales, cuando se usa y mantiene correctamente, durante un período de dos años a partir de la fecha de fabricación. Las partes que fallen durante el período de garantía, cuyas inspecciones determinen que presentan defectos en materiales o mano de obra, serán reparadas, reemplazadas o remanufacturadas a opción del Fabricante, con la condición sin embargo de que por hacerlo no estemos en la obligación de reemplazar un ensamblaje completo, el mecanismo entero o la unidad completa. No se hará concesión alguna por costos de envío, daños, mano de obra u otros cargos que pudieran surgir por falla, reparación o reemplazo del producto.

Esta garantía no aplica a, y no se ofrecerá garantía alguna por, ningún material o producto que haya sido desarmado sin aprobación previa del Fabricante, o que haya sido sometido a uso indebido, aplicación indebida, negligencia, alteración, accidente o acto fortuito; que no haya sido instalado, usado o mantenido según las instrucciones de instalación del Fabricante; que haya sido expuesto a sustancias foráneas que incluyen, pero no se limitan a, lo siguiente: arena, grava, cemento, lodo, alquitrán, hidrocarburos, derivados de hidrocarburos (aceite, gasolina, solventes, etc.), u otras sustancias abrasivas o corrosivas, toallas para lavar o productos sanitarios femeninos, etc. en todas las aplicaciones de bombeo. La garantía presentada en el párrafo anterior deja sin efecto

cualquier otra garantía expresa o implícita; y no autorizamos a ningún representante u otra persona para que asuma por nosotros ninguna otra responsabilidad con respecto a nuestros productos.

Comuníquese con el Fabricante en 3649 Cane Run Road, Louisville, KY 40211 EE.UU., Attention: Customer Service Department, para obtener cualquier reparación necesaria o reemplazo de partes o información adicional sobre nuestra garantía.

EL FABRICANTE RECHAZA EXPRESAMENTE LA RESPONSABILIDAD POR DAÑOS ESPECIALES, EMERGENTES O INCIDENTALES O POR INCUMPLIMIENTO DE LA GARANTÍA EXPRESA O IMPLÍCITA; Y CUALQUIER GARANTÍA IMPLÍCITA DE IDONEIDAD PARA UN FIN PARTICULAR Y DE COMERCIALIZACIÓN SE LIMITARÁ A LA DURACIÓN DE LA GARANTÍA EXPRESA.

Algunos estados no permiten limitaciones en la duración de una garantía implícita, de forma que la limitación anterior podría no aplicar a usted. Algunos estados no permiten la exclusión o limitación de daños incidentales o emergentes, de forma que la limitación o exclusión anterior podría no aplicar a usted.

Esta garantía le otorga a usted derechos legales específicos y podría tener otros derechos que varían de un estado a otro.

Si ocurren daños relacionados con una bomba averiada, el propietario de la vivienda debe conservar dicha bomba a fin de investigar la avería.

Recomendaciones prácticas para facilitar la instalación

1. El sistema se diseña para ser instalado en sumideros que tienen un diámetro mínimo de 46 cm (18 pulgadas) y una profundidad de 56 cm (22 pulgadas).
2. Retire los escombros que haya en el foso antes de realizar la instalación.
3. Asegúrese de que la bomba esté firmemente instalada en la tubería de descarga de la bomba principal y de que las dos bombas no interfieran entre sí.
4. Instale una válvula de retención a la que se le pueda hacer mantenimiento en la línea de descarga.
5. Instale un filtro o un colador en la línea de suministro de agua,

- antes de la bomba. El tamaño del filtro o colador debe ser apropiado a fin de minimizar la caída de presión y retener al mismo tiempo las partículas que tengan un diámetro de 0,5 mm (0,020 pulgadas) o mayor.
6. Verifique la unidad inmediatamente después de instalarla. Refiérase al PASO 5.
7. Verifique los niveles de encendido y apagado del flotador conforme a las instrucciones del PASO 2.
8. Mantenga el número de modelo, el código de fecha y las instrucciones en un sitio conveniente para futura referencia.

Lo que DEBE y NO DEBE hacer para instalar una unidad

1. LEA completamente todo el material sobre la instalación provisto con la bomba.
2. INSPECCIONE la unidad para determinar si hay algún daño visible causado durante el envío. Comuníquese con el proveedor si la bomba está dañada.
3. RETIRE todos los escombros del foso antes de realizar la instalación.
4. INSTALE una válvula de retención de unión (ver el PASO 3) en la línea de descarga. NO use una tubería de descarga de menor tamaño que la descarga recomendada para la bomba.
5. INSTALE un filtro o colador en la línea de suministro de agua, antes de la bomba, para evitar que partículas pequeñas obstruyan el funcionamiento de la válvula.
6. PRUEBE la bomba inmediatamente después de realizar la instalación para asegurarse de que el sistema funcione correctamente.

7. EXAMINE todos los códigos nacionales y locales pertinentes y verifique que la instalación se realice conforme a cada uno de ellos.
8. NO use la bomba Home Guard® Max para agua caliente. NO use la bomba Home Guard® Max para eliminar aguas residuales, aguas negras, efluentes o agua que contenga escombros.
9. NO use una manguera de jardín. Las mangueras de jardín no están diseñadas para soportar la presión de los sistemas de suministro de agua públicos y podrían crear fugas o reventarse, causando inundaciones. La bomba Home Guard® Max requiere un sistema de tuberías permanentes fabricado con componentes de cobre, PEX o CPVC.
10. INSTALE la bomba HomeGuard® Max on una línea de suministro de ¾ de pulg. solamente.

Instalación

La bomba Home Guard® MAX se puede instalar muy fácilmente como una bomba de relevo para una bomba eléctrica de sumidero (ver las ilustraciones). Sin embargo, se debe instalar una válvula de retención entre la bomba eléctrica y la bomba Home Guard® MAX.

Nota 1: Según el Código Uniforme de Plomería (Uniform Plumbing Code) y los códigos de plomería de algunos estados, la instalación de este producto requiere el uso de un dispositivo de prevención de contraflujo RPZ (Reduced Pressure Zone - Zona de presión reducida). Comuníquese con su entidad local de reglamentación de aguas públicas para obtener más información sobre los requisitos en su área específica.

Nota 2: Según el Código Uniforme de Plomería y la norma IAPMO PS119, la descarga de la bomba de sumidero accionada por agua no se debe conectar a la descarga de la bomba de sumidero primaria.

PASO 1: Colocación de la bomba en el foso

Nota: Si el foso tiene una tapa, hay que modificarla para acomodar la bomba Home Guard® Max.

- 1.1) Inspeccione el pozo para asegurarse de que no tenga escombros y límpielo si es necesario.
- 1.2) Coloque la bomba en el foso, asegurándose de que la conexión de entrada de la bomba esté por lo menos a 15 cm (6 pulgadas) por encima del piso del sótano o del borde superior del foso. Asegúrese de que la bomba esté firmemente instalada en la tubería de descarga de la bomba primaria. Marque la posición en la tubería de descarga.

IMPORTANTE Esta bomba se debe utilizar como auxiliar de la bomba primaria. Asegúrese de que no haya interferencias entre las dos bombas, especialmente entre los sistemas de flotadores.

PASO 2: Ajuste de los topes del flotador de la bomba

- 2.1) Después de colocar la bomba Home Guard® Max en el foso, mida la posición de encendido deseada (la posición debe estar algunos centímetros por encima del nivel de encendido de la bomba existente). La bomba se enciende cuando el nivel de agua cae de 5 a 8 cm (2 a 3 pulgadas) por debajo del tope superior del flotador, conforme a la presión del agua de entrada. Calcule la posición apropiada del tope del flotador de acuerdo a esta distancia.
- 2.2) El nivel de apagado se determina en base a la flotación del flotador, así como a la presión del agua de entrada, aproximadamente de 15 a 20 cm (6 a 8 pulgadas) por debajo del nivel de encendido. El nivel de apagado debe estar por encima de la rejilla de succión de la válvula de aspiración. El nivel de apagado de la bomba no cambia cuando se ajusta el tope inferior del flotador. Se recomienda apretar bien el tope inferior en la parte inferior del flotador para que no se deslice sobre la varilla.
- 2.3) Saque la bomba del foso y ajuste los topes del flotador según sea necesario. Apriete todas las tuercas. Asegúrese de apretar bien el tope inferior para que no se desprenda. Si el tope inferior se desprende, el flotador se caerá de la varilla, la bomba dejará de funcionar y se podría averiar.
- 2.4) Vuelva a colocar la bomba en el foso, en la misma posición sobre la tubería de descarga de la bomba primaria, tal como se marcó previamente (Paso 1.2). Esto asegurará que los niveles de encendido y apagado sean consistentes con los cálculos realizados.

PASO 3: Instalación de la tubería de descarga

- 3.1) Fije con pegamento un tubo de 1-1/2 pulgadas en la conexión de descarga de la bomba, tal como se muestra en la ilustración de la página 5 (referencia SK2721B).
- 3.2) Según el Código Uniforme de Plomería y la norma IAPMO PS119, la descarga de la bomba de sumidero accionada por agua no se debe conectar a la descarga de la bomba de sumidero primaria.
- 3.3) Se debe instalar una válvula de retención en la línea de descarga para que la instalación funcione correctamente. Se recomienda utilizar las siguientes válvulas de retención Zoeller: 30-0100; 30-0101; 30-0102; 30-0103. Algunos códigos locales estipulan una válvula de retención de unión con un flotador. Consulte sus códigos de instalación locales para garantizar el cumplimiento de su sistema.

PASO 4: Instalación de la tubería de suministro de agua

- 4.1) Cierre el suministro de aguas públicas y conecte la tubería del sistema a la línea de aguas públicas. Esta línea debe derivarse de una línea de 3/4 de pulgada y conectarse a la bomba Home Guard® Max mediante una tubería de 3/4 de pulgada. No use una manguera de jardín o alguna otra tubería flexible. Instale una válvula de cierre en la línea de suministro de 3/4 de pulgada a la bomba Home Guard® Max. Use el método de prevención de contraflujo que se requiera en su localidad.

Instalación (continuación)

PASO 4: (continuación)

- 4.2) No suelde las conexiones de bronce a menos de 18 pulgadas de la bomba Home Guard® Max, ya que el calor de la antorcha dañará la cubierta exterior.
- 4.3) Cuando instale conexiones roscadas en la entrada de la bomba Home Guard® Max, no aplique una solución impermeabilizante en las roscas; use cinta aislante PTFE (Teflon®). Tenga especial cuidado de evitar que queden escombros (incluyendo trozos de cinta aislante) dentro de la conexión de entrada y que puedan obstruir la válvula.
- 4.4) La bomba Home Guard® Max incluye una conexión de presión instalada en campo, diseñada para crear uniones con tubos de cobre, PEX, CPVC de ¾ de pulgada. La conexión se debe instalar en la rosca NPT de ¾ de pulgada, en la conexión de entrada de la bomba. Durante la instalación se debe tener cuidado de no sobreapretar la conexión en la entrada de la bomba, ya que se podría romper la cubierta. Sujete la conexión de entrada con una llave auxiliar mientras aprieta la conexión de presión. Si no utiliza la conexión de presión, debe observar las mismas precauciones que se siguen para realizar cualquier instalación en la conexión de entrada.
Durante la instalación se debe tener cuidado de no sobreapretar la conexión en la entrada de la bomba, ya que se podría romper la cubierta. Sujete la conexión de entrada con una llave auxiliar mientras aprieta la conexión de presión.
- 4.5) Purgue la línea de agua antes de conectar la bomba Home Guard® Max, para evitar la entrada de escombros que podrían obstruir la válvula.
- 4.6) Si usa una conexión de presión, corte los extremos del tubo en ángulo recto. Asegúrese de que el extremo cortado no tenga rebabas ni daños. Después de limpiar el extremo cortado en ángulo recto, dibuje una marca de profundidad en la pared exterior de la tubería a 2,5 cm (1 pulgada) del extremo. Inserte el tubo a través del collar de desprendimiento hasta que descanse contra el anillo de sujeción. Empuje firmemente el tubo mientras lo gira ligeramente hasta que se detenga contra el tope. La marca de profundidad debe observarse en el extremo del collar de desprendimiento. No se requiere un revestimiento si se utiliza una tubería de CPVC o cobre, y se puede retirar si lo permiten los códigos locales. El revestimiento de la tubería se puede retirar fácilmente con un alicate de puntas largas.
- 4.7) Después de instalar la bomba y de conectar el suministro de aguas públicas, abra las llaves de suministro de aguas públicas y de la línea de suministro de agua. Inspeccione el cuerpo de la válvula y todas las conexiones para asegurarse de que no haya fugas. Cierre el suministro de aguas públicas y arregle cualquier fuga que haya antes de encender la bomba.

PASO 5: Verificación del funcionamiento de la bomba

- 5.1) Desenchufe la bomba primaria para que no se encienda.
- 5.2) Llene el foso de agua hasta que la bomba Home Guard® Max se encienda. NOTA: La bomba se debe apagar cuando el foso se llene de agua.
- 5.3) Asegúrese de que la bomba se encienda y apague en las posiciones programadas.
- 5.4) Asegúrese de que no haya fugas en la línea de descarga.
- 5.5) Si hace falta algún ajuste, suba o baje los topes conforme a las instrucciones del PASO 2.
- 5.6) Si la bomba no funciona correctamente después de realizar los pasos anteriores, consulte la “Guía de detección y resolución de problemas”.
- 5.7) Cuando concluya las pruebas, vuelva a enchufar la bomba primaria a una fuente de corriente alterna.
- 5.8) Ajuste el interruptor de láminas de la alarma (opcional) al nivel deseado, cuando sea necesario. Consulte las instrucciones del sistema de alarma en FM2571. Asegúrese de instalar una pila de 9 voltios en el panel de la alarma.

PRESIÓN DEL AGUA:

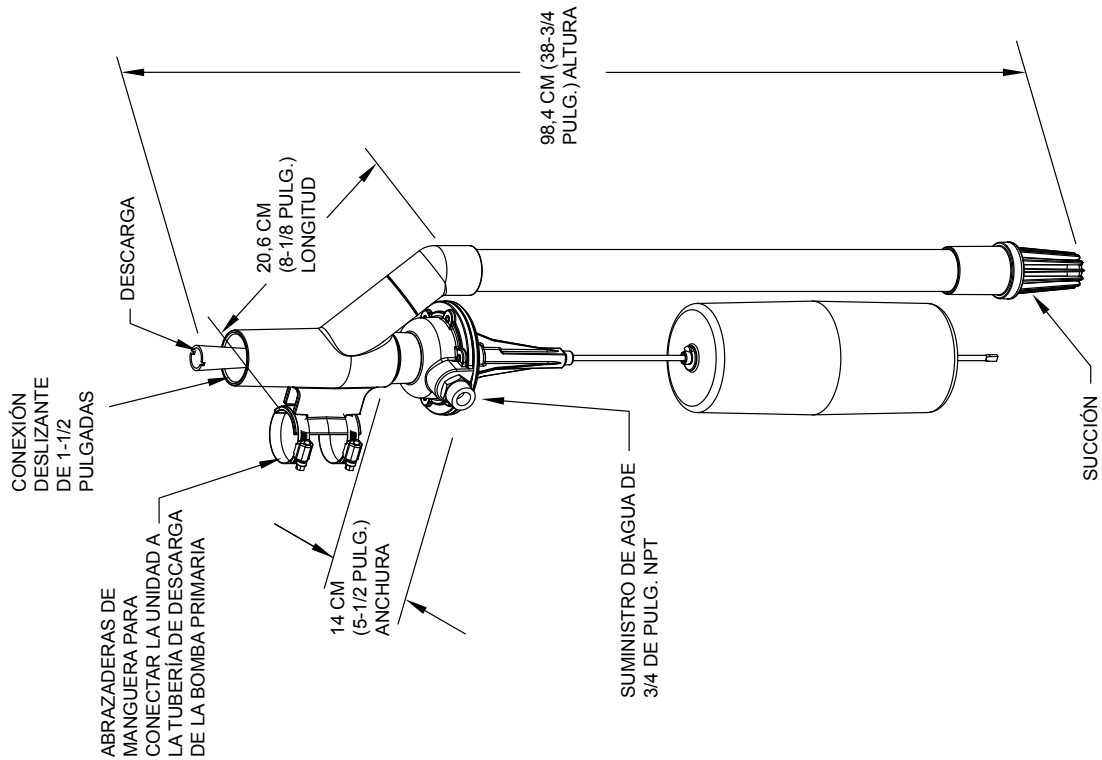
20 PSI, presión mínima con la válvula abierta.
80 PSI, presión máxima con la válvula abierta.
100 PSI, presión máxima con la válvula cerrada.

EFICIENCIA:

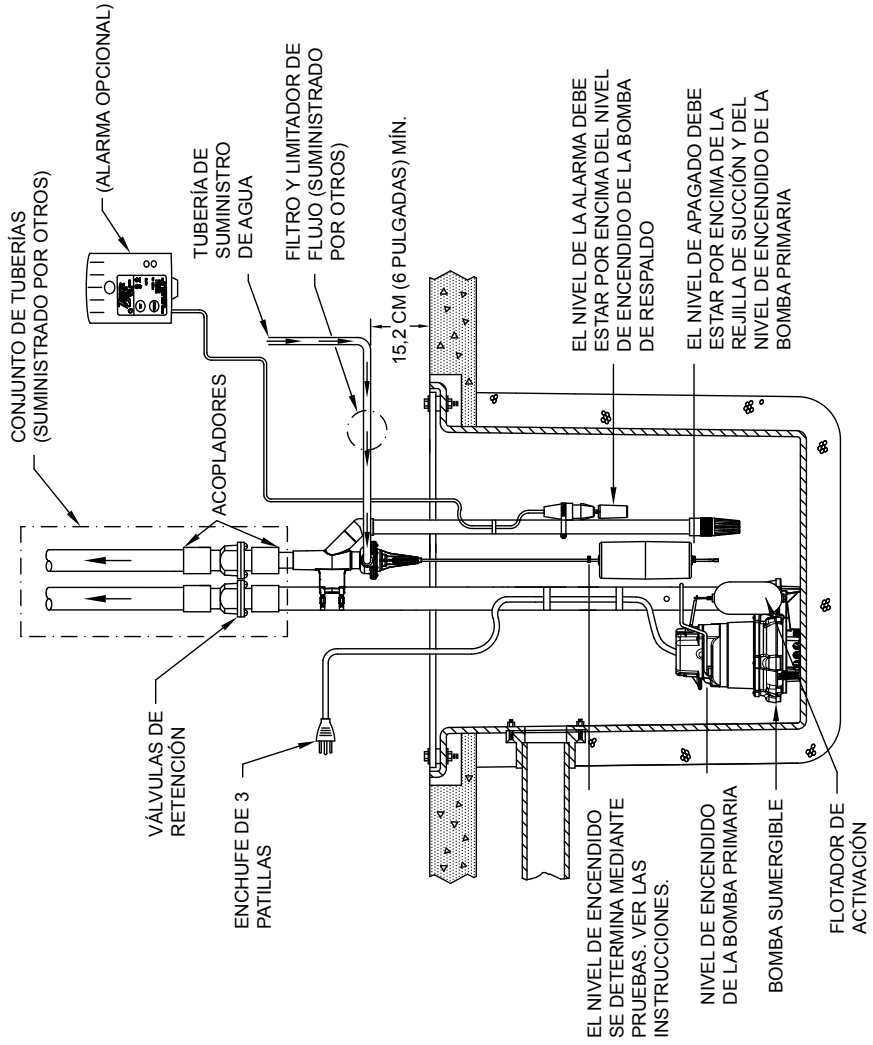
La capacidad de la bomba aumentará conforme a la presión y el caudal del agua doméstica.

Si se tiene una carga estática de 2,4 metros (8 pies) con una presión de flujo de 20 PSI en la tubería de suministro, se requiere un caudal de entrada de 3,8 litros (1 galón) para extraer la misma cantidad de agua del foso. A medida que aumente la presión del suministro de agua, con una carga estática constante, disminuirá la cantidad de agua requerida.

Instalación típica con bomba sumergible y tubería de descarga separada



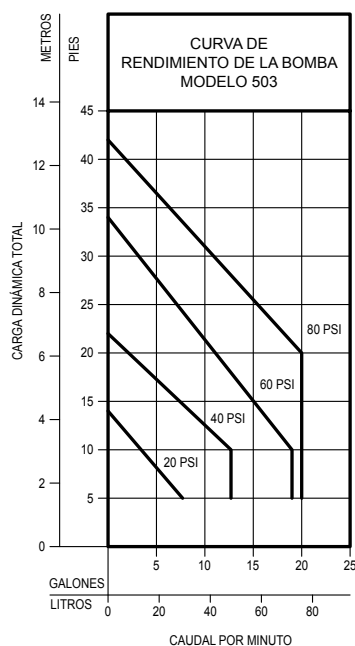
SK2720



SK2721B

Dimensiones

Características de rendimiento



CARGA/CAUDAL DINÁMICO TOTAL
POR MINUTO
ACHIQUE SOLAMENTE

MODELO		503							
		20 PSI		40 PSI		60 PSI		80 PSI	
PIES	METROS	GALONES	LITROS	GALONES	LITROS	GALONES	LITROS	GALONES	LITROS
5	1.5	7.7	29.1	12.7	48.1	19.0	72.0	20.0	75.7
10	3.0	3.4	12.9	12.7	48.1	19.0	72.0	20.0	75.7
15	4.6	-	-	7.4	28.0	15.0	56.8	20.0	75.7
20	6.1	-	-	2.0	7.6	11.1	42.0	20.0	75.7
25	7.6	-	-	-	-	7.1	26.9	15.3	57.9
30	9.1	-	-	-	-	3.2	12.1	10.9	41.3
35	10.7	-	-	-	-	-	-	6.4	24.2
40	12.2	-	-	-	-	-	-	1.8	6.8
Altura de interrupción		4.3 m (14.0 pies)		6.7 m (22.0 pies)		10.4 m (34.0 pies)		12.8 m (42.0 pies)	

018586

La capacidad de la bomba varía debido a: presión de entrada del agua, presión de trabajo del agua, altura de la descarga, número de conexiones de tubería, tamaño de las tuberías de entrada y salida, viscosidad del fluido, nivel de claridad del agua, temperatura del agua. Los valores de los caudales en el cuadro son aproximados.

NOTA: Algunas municipalidades podrían requerir un limitador de contraflujo principal para reducir la presión, conforme a las normas ASSE 1013. Consulte los códigos locales.

Guía de detección y resolución de problemas

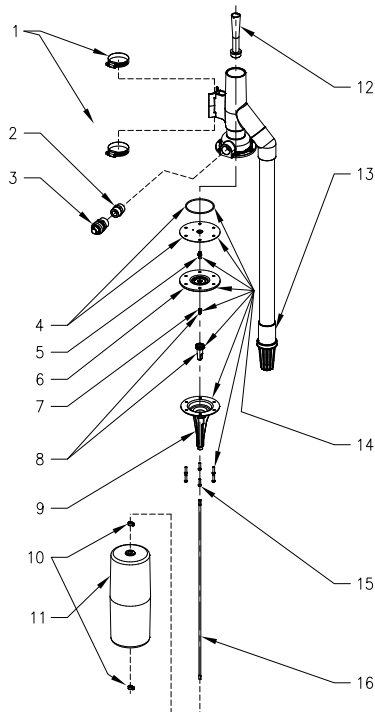
CONDICIÓN	POSIBLE CAUSA	SOLUCIÓN
LA BOMBA NO ARRANCA O NO FUNCIONA	Inadecuada presión de entrada del agua.	Revise la línea de entrada de agua para determinar si la válvula está cerrada, la presión de agua es baja o el filtro/colador está obstruido.
	Presión de entrada del agua excesiva.	Instale un regulador y reduzca la presión a menos de 100 PSI con la válvula cerrada.
	Escombros junto a la entrada de agua.	Limpie los escombros del foso y el colador de la válvula de aspiración.
	Flotador atascado en el foso o en la bomba primaria.	Mueva las bombas de forma que los flotadores se desplacen libremente sin tocarse entre sí, ni tocar el foso o las tuberías.
LA BOMBA SE ENCIENDE DEMASIADO PRONTO	El punto de encendido del flotador está demasiado bajo.	Refiérase al PASO 2.
LA BOMBA NO SE APAGA	El flotador está obstruido.	Inspeccione el funcionamiento del flotador y corrija el problema.
	El punto de apagado del flotador está demasiado bajo.	Refiérase al PASO 2.
	La válvula de aspiración está encima del nivel de agua.	Ajuste el flotador - Refiérase al PASO 2.
	El orificio de ventilación de la válvula de diafragma interna está obstruido con escombros.	Cierre y abra repetidamente el suministro de agua a la bomba para desprender los escombros. Si este proceso no soluciona el problema, hágale un mantenimiento a la bomba para eliminar los escombros o cambie el ensamblaje de la válvula.
	La bomba se activó mientras el nivel de agua en el foso estaba por debajo de la válvula de aspiración.	Abra el suministro de agua y active el flotador manualmente. Mantenga la bomba encendida de 3 a 5 segundos y suelte el flotador antes de que la válvula de aspiración esté por encima del nivel del agua. La bomba debería apagarse.
LA BOMBA FUNCIONA PERO BOMBEA POCAGUA O NO BOMBEA AGUA	Escombros junto a la entrada de agua.	Limpie los escombros del foso y el colador de la válvula de aspiración.
	Inadecuada presión de entrada del agua.	Revise la línea de entrada de agua para determinar si la llave está cerrada o hay poca presión de agua.
	La tubería de descarga está obstruida.	Retire la tubería y elimine los escombros.
	La válvula de aspiración está encima del nivel de agua.	Ajuste el flotador - Refiérase al PASO 2.
	La descarga vertical es demasiado alta.	Cambie la tubería de descarga o solicite asistencia técnica.

Desglose de los componentes en la ilustración

REPUESTOS DE HOMEGUARD - MODELO 503				503-AaB	503-C	503-D	503-E
ÍTEM	DESCRIPCIÓN	CANT.	NOTAS	Del 10/08 a 02/10	Del 03/10 a 10/10	Del 11/10 a 5/10	Del 6/11 a la fecha
1	Abrazadera	2	*	001766	001766	001766	001766
2	Conjunto de la válvula de contraflujo	1		018587	018587	018587	018587
3	Conexión de presión	1		018584	018584	018584	018584
4	Diafragma y junta tórica	1	*	018588	150553	150553	150553
5	Conjunto del émbolo	1	*	018589	018589	018589	018589
6	Base de la tobera	1		018588	018557	018557	018557
7	Resorte	1	*	018564	018564	018564	018564
8	Conjunto de la guía imantada de la varilla del flotador	1		150084	150084	150084	150084
9	Guía de la varilla del flotador	1		150085	150085	150741	150741
10	Conjunto del tope del flotador	2	*	054085	054085	054085	054085
11	Flotador	1		018567	018567	018567	018567
12	Venturi	1		4C5532	4C5532	4C5532	4C5532
13	Válvula de aspiración	1	**	150260	150260	150260	150260
14	Conjunto de la válvula	1		150101	150101	150101	150101
15	Tornillo	6	*	001885	001885	001885	001885
16	Varilla del flotador, larga	1		018583	018583	018583	018583
	Varilla del flotador, corta		n/a	n/a	n/a	151708	
*	Juego de reposición	1		150086	150554	150554	150554

* Ítems incluidos en el juego de reposición.

** La válvula de aspiración se debe cortar lo más cerca posible de la parte superior y la válvula nueva se debe fijar con pegamento.



SK2741



PUMP COMPANY

Zoeller Family of Water Solutions™

ENVÍOS A: 3649 Cane Run Road •
Louisville, KY 40211-1961
(502) 778-2731 • FAX (502) 774-3624

Su Tranquilidad es Nuestra Prioridad®

Visite nuestro sitio web:
www.zoeller.com

Que vous dormiez en paix est notre priorité®



PUMP COMPANY

Zoeller Family of Water Solutions™

ADRESSE POSTALE : P.O. BOX 16347 • Louisville, KY 40256-0347
États-Unis d'Amérique

ADRESSE D'EXPÉDITION : 3649 Cane Run Road • Louisville, KY
40211-1961, États-Unis d'Amérique

+1 (502) 778-2731 • 1 (800) 928-PUMP (États-Unis seulement) •
FAX +1 (502) 774-3624

visitez notre site Web:
www.zoeller.com

L'information sur l'équipement contenue dans la présente reflète les conditions au moment de la publication. Prendre contact avec l'usine en cas de différences ou d'incohérences.

HOME GUARD MAX

Modèle 503 POMPE D'ASSÈCHEMENT DE SECOURS À ENTRAÎNEMENT PAR EAU EN PCV

LISTE DE CONTRÔLE AVANT L'INSTALLATION

1. **Inspecter la pompe.** Il arrive que des pièces soient endommagées pendant l'expédition. Si la pompe ou l'une de ses pièces est endommagée, prendre contact avec le distributeur avant de la mise en service.
2. **Lire toutes les directives** concernant l'installation et le démarrage avant d'exécuter une des tâches décrites dans ce manuel. Garder la notice pour consultation future.



ADVERTISSEMENT

VOIR LA LISTE DES AVERTISSEMENTS CI-DESSOUS

1. **Par souci de protection, toujours déconnecter l'alimentation électrique** de sa source avant de manipuler les composantes de la pompe primaire.
4. Vérifier le placement des flotteurs des pompes primaire et de réserve pour assurer qu'ils se déplacent librement et ne rencontrent aucune obstruction qui pourrait empêcher leurs mouvements. Il faut maintenir suffisamment d'espace entre les flotteurs.
5. Activer la pompe manuellement une fois par mois en soulevant la tige du flotteur. Laisser la pompe fonctionner pendant au moins 15 secondes pour l'empêcher d'accumuler des dépôts de calcaire et des débris qui risquent de l'endommager.

ATTENTION

VOIR LA LISTE DES MISES EN GARDE CI-DESSOUS

1. La pompe est conçue pour pomper de l'eau limpide. Ne pas l'utiliser pour pomper l'effluent d'une fosse septique ni pour pomper les eaux d'égout.
2. La pompe de secours doit être réparée et entretenue par un centre de service agréé.
3. La pompe de secours requiert l'installation d'un interrupteur à flotteur détecteur de niveau pour pouvoir fonctionner. L'installateur est tenu de veiller à ce que l'interrupteur ne s'accroche pas à l'équipement de

ATTENTION La turbulence causée par l'admission d'eau à haute vitesse risque de nuire à l'action marche-arrêt du mécanisme du flotteur. Si c'est le cas, il faut installer des déflecteurs pour éviter une turbulence excessive.

SE REPORTER À LA GARANTIE À LA PAGE 2

Garantie Limitée

Durant la période de garantie, le fabricant garantit à l'acheteur et au propriétaire suivant que chaque nouveau produit est libre de vices de matériau et de fabrication, sous réserve qu'il soit utilisé et entretenu de manière normale et correcte, pour une période de deux ans à partir de la date de fabrication. Une pièce qui devient défectueuse pendant la période de garantie et dont l'inspection a déterminé que la défaillance est due à un vice de matériau ou de fabrication sera, à la discrétion du fabricant, réparée, remplacée ou remise à neuf, sous réserve que l'intervention n'oblige pas le fabricant à remplacer l'ensemble d'un assemblage, du mécanisme ou de l'appareil. Aucune allocation n'est prévue pour les frais d'expédition ou de main-d'œuvre, pour les dommages ni pour les autres frais pouvant survenir suite à une défaillance, une réparation ou un remplacement du produit.

La présente garantie ne couvre pas tout matériel ou produit qui a été démonté sans l'approbation préalable du fabricant, qui a été soumis à un traitement abusif, un usage incorrect, de la négligence, des altérations, un accident ou une catastrophe naturelle, qui n'a pas été installé, utilisé ou entretenu conformément à la notice d'installation du fabricant ou qui est entré en contact avec des corps étrangers, notamment : du sable, du gravier, du ciment, de la boue, du goudron, des hydrocarbures et leurs dérivés (huile, essence, solvants, etc.) ou autres substances abrasives ou corrosives, ou des serviettes de soins de toilette ou serviettes hygiéniques, cette clause étant valide pour tous types de pompage. La garantie décrite dans la clause précédente remplace toutes autres garanties expresses ou tacites et nous n'autorisons aucun

agent ou autre individu à assumer une quelconque autre responsabilité relative à nos produits.

Pour obtenir une réparation, des pièces de rechange ou de l'information supplémentaire concernant la garantie, prendre contact avec le fabricant à l'adresse suivante : 3649 Cane Run Road, Louisville, Kentucky 40211 – à l'attention du service à la Clientèle.

LE FABRICANT DÉCLINE EXPRESSÉMENT TOUTE RESPONSABILITÉ POUR DES DOMMAGES SPÉCIAUX, CONSÉCUTIFS OU ACCESSOIRES OU UNE VIOLATION D'UNE GARANTIE EXPRESSÉ OU TACITÉ, ET TOUTÉ GARANTIE TACITÉ D'APPLICABILITÉ À UN BUT SPÉCIFIQUE OU DE QUALITÉ MARCHANDE SE LIMITERA À LA DURÉE DE LA GARANTIE EXPRESSÉ.

Certains États ne permettent pas de restriction de la durée d'une garantie tacite; de ce fait, la restriction précédemment stipulée peut ne pas être valide. Certains États ne permettent pas l'exclusion ou la restriction de dommages spéciaux ou accessoires; de ce fait, la restriction stipulée précédemment peut ne pas être valide.

La présente garantie vous offre des droits spécifiques reconnus par la loi et vous pouvez également avoir d'autres droits variant d'une juridiction à une autre.

Lorsque les dommages encourus semblent provenir d'une défectuosité de la pompe, le propriétaire est tenu de sauvegarder la pompe en vue d'inspection ultérieure.

Conseils utiles pour faciliter l'installation

1. Le système a été conçu pour installation dans un puisard d'un diamètre minimal de 457 mm (18 po) et d'une profondeur minimale de 56 cm (22 po). Demander conseil à l'usine en cas d'utilisation avec de plus petites dimensions.
2. Enlever tous les débris de la fosse avant l'installation.
3. Vérifier que la pompe est solidement fixée à la conduite de refoulement de la pompe primaire et que les deux pompes ne se gênent pas mutuellement.
4. Monter un clapet de non-retour pouvant être entretenu dans la conduite de refoulement.
5. Installer un filtre ou une crépine dans le tuyau d'alimentation d'eau en aval de la pompe. Choisir un filtre ou une crépine de dimensions correctes, pour minimiser la chute de pression tout en piégeant les particules d'un diamètre minimal de 0,5 mm (0,020 po).
6. Essayer l'appareil immédiatement après son installation. Se reporter à l'ÉTAPE 5.
7. Contrôler les niveaux marche-arrêt du flotteur suivant les directives de l'ÉTAPE 2.
8. Sauvegarder le numéro de modèle, le code date et la notice d'installation dans un lieu sûr en vue de référence ultérieure.

Conseils pour l'installation de la pompe

1. LIRE toute la documentation fournie avec la pompe.
2. INSPECTER la pompe pour détecter les traces visibles de dommages causés au cours de l'expédition. Prendre contact avec le fabricant si l'appareil semble endommagé.
3. ENLEVER tous les débris de la fosse avant l'installation.
4. MONTER un clapet de non-retour à raccord union (voir ÉTAPE 3) dans la conduite de refoulement. NE PAS utiliser une conduite de refoulement de diamètre inférieur à celui qui est recommandé.
5. INSTALLER un filtre ou une crépine dans le tuyau d'alimentation d'eau en amont de la pompe pour empêcher les petites particules de bloquer la vanne de commande.
6. ESSAYER la pompe immédiatement après l'installation pour vérifier que le système fonctionne correctement.
7. ÉTUDIER tous les codes régionaux et nationaux applicables et vérifier que l'installation est conforme à chacun d'entre eux.
8. NE PAS utiliser la pompe Home Guard® Max dans de l'eau chaude. NE PAS utiliser la pompe Home Guard® Max pour éliminer les eaux usées, eaux d'égout, effluents ou eaux contenant des débris.
9. NE PAS utiliser un tuyau d'arrosage. Un tuyau de ce type n'est pas conçu pour supporter indéfiniment la pression des eaux municipales et risque d'éclater, provoquant une inondation. La pompe Home Guard® Max nécessite une tuyauterie permanente fabriquée en cuivre, polyéthylène réticulé PEX ou chlorure de polyvinyle chloré (PVC-C).
10. INSTALLER la pompe Home Guard® Max avec un tuyau d'alimentation d'un diamètre maxi de 19 mm (3/4 po).

Installation

La pompe Home Guard® MAX peut être installée très facilement pour servir de pompe de secours d'une pompe de puisard électrique (voir illustrations). Il faut cependant monter un clapet de non-retour entre la pompe électrique et la pompe Home Guard® MAX.

Remarque 1 : Le code Uniform Plumbing Code (UPC – code régissant la plomberie) et les codes de certains États régissant la plomberie exigent l'utilisation d'un dispositif RPZ (reduced pressure zone – zone de pression réduite) de protection contre le retour d'eau. Faire appel à un plombier ou à la société de distribution des eaux pour obtenir plus d'information concernant les exigences spécifiques locales.

Remarque 2 : Les codes UPC et IAPMO PS119 interdisent le raccord du tuyau de refoulement de la pompe de puisard hydraulique au tuyau de refoulement de la pompe de puisard primaire.

ÉTAPE 1 : Placement de la pompe dans la fosse

Remarque. - Si la fosse est munie d'un couvercle, il faut le modifier pour l'adapter à la présence de la pompe Home Guard® Max.

- 1.1) Inspecter la fosse pour détecter la présence de débris et la nettoyer, le cas échéant.
- 1.2) Placer la pompe dans la fosse en s'assurant que le raccord d'entrée de la pompe se trouve au moins à 15 cm (6 po) au-dessus du sol du sous-sol ou du rebord supérieur de la fosse du puisard. Vérifier que la pompe est solidement fixée au tuyau de refoulement de la pompe primaire. Marquer l'emplacement sur le tuyau de refoulement.

▲ IMPORTANT La pompe doit être utilisée comme pompe de secours de la pompe primaire. Veiller à ce qu'il n'y ait pas d'interférence entre les deux pompes et surtout entre les dispositifs de flotteur.

ÉTAPE 2 : Réglage de la butée du flotteur

- 2.1) Après avoir installé la pompe Home Guard® Max dans la fosse, mesurer le niveau de démarrage souhaité du flotteur (idéalement, quelques centimètres au-dessus du niveau de démarrage de la pompe existante). La pompe se met en marche lorsque le niveau d'eau se trouve à environ 5 à 7,5 cm (2 à 3 po) en dessous de la butée supérieure du flotteur, suivant la pression du flux d'eau entrant. Calculer l'emplacement approprié de la butée du flotteur en fonction de cette distance.
- 2.2) La poussée hydrostatique du flotteur et la pression d'eau du flux entrant déterminent le niveau d'arrêt de la pompe, qui se trouve à environ 15 à 20 cm (6 à 8 po) en dessous du niveau de démarrage. Le niveau d'arrêt doit se trouver au-dessus de la crépine d'aspiration du clapet de pied. L'ajustement de la butée inférieure ne modifie pas le niveau d'arrêt de la pompe. On recommande de bien serrer la butée inférieure contre le bas du flotteur pour l'empêcher de se déplacer le long de la tige du flotteur.
- 2.3) Enlever la pompe de la fosse et ajuster les butées du flotteur selon le besoin. Serrer toutes les vis. Veiller à correctement serrer la butée inférieure pour qu'elle ne se détache pas. Si la butée inférieure se détache, le flotteur tombera de la tige, mettant la pompe hors service et risquant d'endommager la pompe.
- 2.4) Réinstaller la pompe dans la fosse au même endroit sur le tuyau de refoulement de la pompe primaire, tel indiqué précédemment (étape 1.2). Ceci assure que les niveaux de démarrage et d'arrêt correspondent aux calculs.

ÉTAPE 3 : Installation de la tuyauterie de refoulement

- 3.1) Coller le tuyau de refoulement dans le raccord de refoulement de la pompe, tel indiqué sur l'illustration suivante (no de référence SK2721B).
- 3.2) Les codes UPC et IAPMO PS119 interdisent le raccord du tuyau de refoulement de la pompe de secours à entraînement par eau au tuyau de refoulement de la pompe de puisard primaire.
- 3.3) Il faut monter un clapet de non-retour sur le tuyau de refoulement pour assurer le fonctionnement correct de la tuyauterie. On recommande les clapets de non-retour Zoeller suivants : 30-0100, 30-0101, 30-0102 et 30-0103. Certains codes locaux exigent l'utilisation d'un raccord union à clapet à bille. Vérifier que l'installation est conforme aux exigences des codes locaux.

Installation (suite)

ÉTAPE 4 : Installation de la tuyauterie à la source d'eau

- 4.1) Couper l'alimentation d'eau municipale et raccorder la tuyauterie à la canalisation d'amenée d'eau municipale. Elle doit être branchée sur un tuyau de ¾ po et raccordée à la pompe Home Guard® Max en utilisant un tube de ¾ po. Ne pas utiliser un tuyau d'arrosage ou autre tuyau ou tube flexible. Monter un robinet d'arrêt dans le tuyau de ¾ po alimentant la pompe Home Guard® Max. Utiliser le dispositif de prévention de retour d'eau approuvé par la juridiction locale.
- 4.2) Ne pas braser ni souder un raccord en cuivre à moins de 46 cm (18 po) de la pompe Home Guard® Max, car la chaleur émanant du chalumeau endommagera le corps de pompe.
- 4.3) En cas de fixation d'un raccord fileté à l'orifice d'entrée d'eau de la pompe Home Guard® Max, utiliser du ruban d'étanchéité PTFE (Teflon®) plutôt que de la pâte à joint. Faire très attention d'empêcher des débris de tous types (y compris des morceaux de ruban) de pénétrer dans l'orifice d'entrée, entraînant le risque de rester coincés dans la vanne de commande.
- 4.4) La pompe Home Guard® Max est munie d'un raccord Push-to-Connect monté sur le terrain. Ce raccord est conçu pour usage avec un tube de ¾ po en PEX, PVC-C ou cuivre. Il faut le monter sur le filet NPT ¾ po du raccord de l'orifice d'entrée de la pompe. **Lors de l'installation du raccord, il faut prendre garde de ne pas trop serrer le raccord de l'orifice d'entrée afin de ne pas fissurer le corps de pompe. À l'aide d'une clé de dévissage, maintenir le raccord de l'orifice d'entrée pendant le serrage du raccord Push-to-Connect.** Si l'on n'utilise pas le raccord Push-to-Connect, il faut user des mêmes précautions lors du montage d'un quelconque autre raccord sur le raccord de l'orifice d'entrée.
- 4.5) Purger la canalisation d'eau avant de la raccorder à la pompe Home Guard® Max, pour empêcher des débris éventuels de pénétrer dans la pompe et de boucher la vanne de commande.
- 4.6) En cas d'utilisation du raccord Push-to-Connect, couper les extrémités du tube perpendiculairement à l'axe du tube. Vérifier que l'extrémité coupée ne présente pas de bavures et n'est pas endommagée. Lorsque l'extrémité du tube est perpendiculaire à l'axe et propre, placer un repère de profondeur à l'extérieur du tube à 2,5 cm (1 po) de l'extrémité. Glisser le tube au travers du collier de dégagement jusqu'à ce qu'il repose contre l'anneau de prise. Appuyer fortement sur le tube en le tournant légèrement jusqu'à ce qu'il atteigne la butée de tube. Le repère de profondeur doit se trouver au niveau de l'extrémité du collier de dégagement. Le revêtement de tube n'est pas nécessaire en cas d'utilisation de tube en PVC-C ou cuivre et peut être enlevé selon les préférences ou le code local. Le revêtement se retire facilement en utilisant une pince à bec pointu.
- 4.7) Après l'installation de la pompe et le raccord à la source d'eau municipale, ouvrir le robinet d'arrivée d'eau municipale et le robinet de la canalisation d'admission d'eau. Vérifier le corps de robinet et tous les raccords pour détecter une fuite éventuelle. Fermer le robinet d'arrivée d'eau municipale et réparer les fuites éventuelles avant de mettre la pompe en marche.

ÉTAPE 5 : Mise à l'essai du fonctionnement de la pompe

- 5.1) Débrancher la pompe primaire pour empêcher son démarrage.
- 5.2) Remplir le puisard d'eau jusqu'au démarrage de la pompe Home Guard® Max. REMARQUE. - Pour que la pompe s'arrête correctement, le puisard doit être rempli d'eau.
- 5.3) Contrôler que la pompe démarre et s'arrête aux points ON/OFF souhaités.
- 5.4) Contrôler que la conduite d'évacuation ne fuit pas.
- 5.5) Si un réglage s'avère nécessaire, hausser ou baisser les butées du flotteur conformément à l'ÉTAPE 2.
- 5.6) Si la pompe ne fonctionne pas correctement après l'exécution des étapes précédentes, se reporter au Guide de dépannage.
- 5.7) Après avoir terminé l'essai, rebrancher la pompe primaire sur la prise c.a.
- 5.8) Si nécessaire, ajuster le commutateur à lames d'alarme (en option) au niveau désiré. Se reporter aux consignes du Système d'alarme FM2571. Installer une pile de 9 V dans le panneau d'alarme.

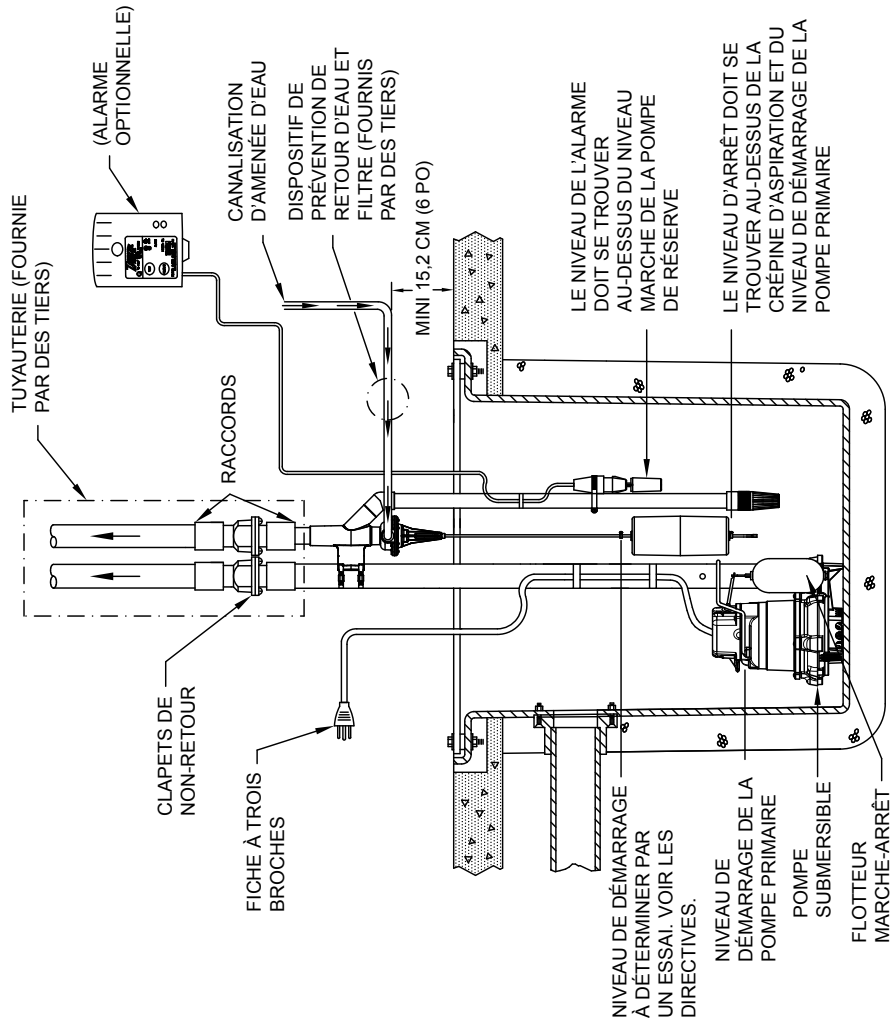
PRESSIION D'EAU

Minimum 20 PSI lorsque la vanne est ouverte
Maximum 80 PSI lorsque la vanne est ouverte
Maximum 100 PSI lorsque la vanne est fermée

RENDEMENT

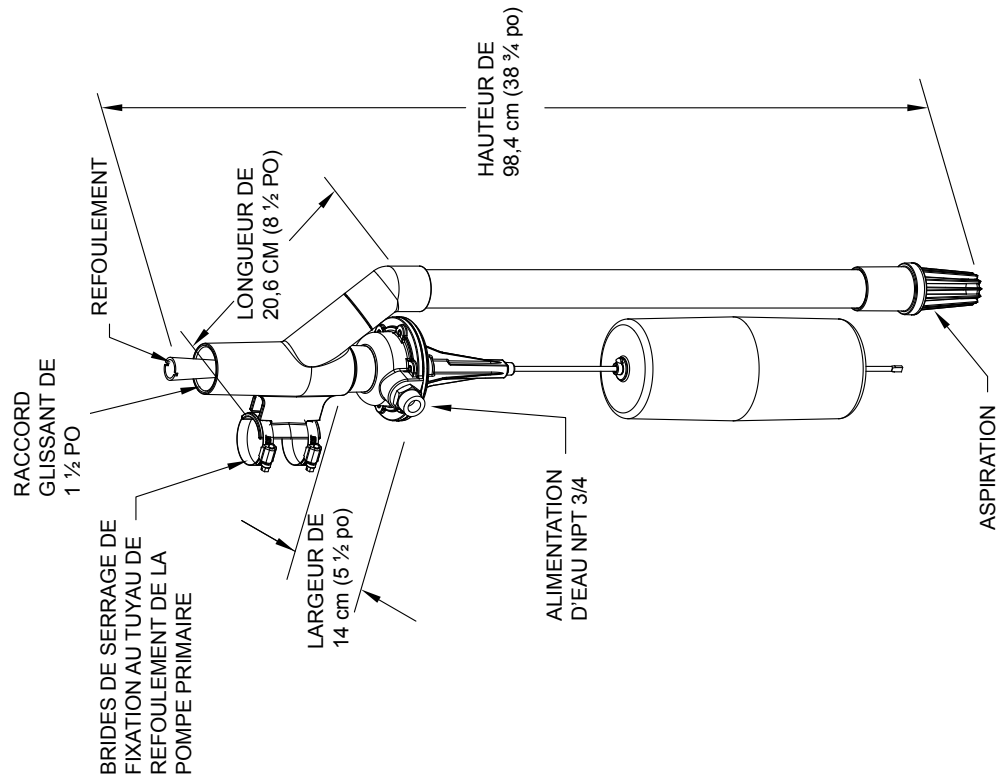
La capacité de pompage augmente avec la pression d'eau municipale et le débit. Avec une charge statique de 2,4 m (8 pi) et une pression d'alimentation de 20 PSI à l'orifice d'alimentation en eau et avec l'eau coulant, 1 litre d'eau d'alimentation est requis pour enlever 1 litre d'eau du puisard. Le besoin en eau d'alimentation diminue avec l'augmentation de la pression d'alimentation lorsque la charge statique demeure constante.

Installation typique à dimensions de pompe submersible et conduite de refoulement distincte



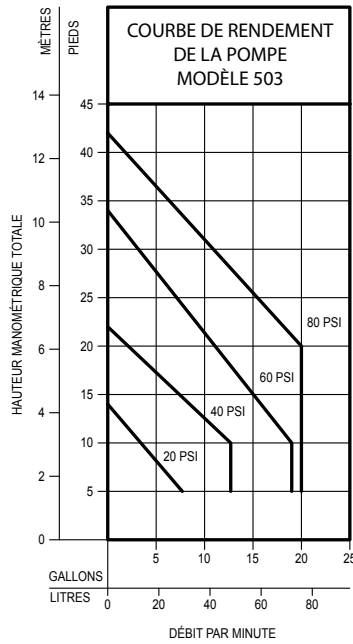
SK2721B

Dimensions



SK2720

Caractéristiques de rendement



HAUTEUR MANOMÉTRIQUE/DÉBIT TOTAUX
PAR MINUTE
ASSÈCHEMENT SEULEMENT

MODÈLE		503							
		20 PSI		40 PSI		60 PSI		80 PSI	
PIEDS	MÈTRES	GALLONS	LITRES	GALLONS	LITRES	GALLONS	LITRES	GALLONS	LITRES
5	1.5	7.7	29.1	12.7	48.1	19.0	72.0	20.0	75.7
10	3.0	3.4	12.9	12.7	48.1	19.0	72.0	20.0	75.7
15	4.6	-	-	7.4	28.0	15.0	56.8	20.0	75.7
20	6.1	-	-	2.0	7.6	11.1	42.0	20.0	75.7
25	7.6	-	-	-	-	7.1	26.9	15.3	57.9
30	9.1	-	-	-	-	3.2	12.1	10.9	41.3
35	10.7	-	-	-	-	-	-	6.4	24.2
40	12.2	-	-	-	-	-	-	1.8	6.8
Hauteur vanne fermée		4,3 m (14 pi)		6,7 cm (22 pi)		10,4 m (34 pi)		12,8 m (42 pi)	

018586

La capacité de la pompe varie en fonction des facteurs suivants : pression d'eau à l'orifice d'entrée, pression d'eau au fonctionnement, élévation du refoulement, nombre de raccords de tuyauterie, dimensions de la conduite d'amenée et d'évacuation d'eau, viscosité du liquide, degré de limpidité de l'eau, température de l'eau. Les débits indiqués par le graphique sont des valeurs approximatives.

REMARQUE. - Certains districts peuvent exiger un dispositif de prévention de refoulement à pression réduite, conformément aux normes ASSE 1013. Vérifier les codes locaux.

Guide de Dépannage

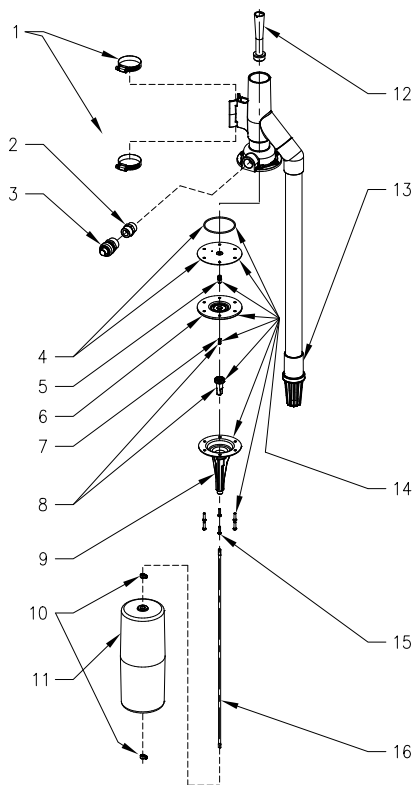
PROBLÈME	CAUSE POSSIBLE	SOLUTION
LA POMPE NE DÉMARRE PAS OU NE FONCTIONNE PAS	La pression d'eau entrante est insuffisante	Contrôler la conduite d'amenée d'eau pour détecter un robinet fermé, une pression d'eau insuffisante ou une obstruction du filtre ou de la crépine.
	La pression d'eau est excessive.	Installer un régulateur et faire baisser la pression à moins de 100 PSI avec la vanne fermée.
	Des débris entourent l'orifice d'entrée.	Éliminer les débris des crépines de la fosse et du clapet de pied.
	Un flotteur reste accroché sur la fosse ou la pompe primaire.	Déplacer les pompes jusqu'à ce que les flotteurs bougent librement sans entrer en contact avec la fosse, la tuyauterie ou l'un l'autre.
LA POMPE DÉMARRE PRÉMATURÉMENT	Le niveau de démarrage du flotteur est réglé trop bas.	Se reporter à l'ÉTAPE 2.
LA POMPE NE S'ARRÊTE PAS	Le flotteur est bloqué.	Contrôler le fonctionnement du flotteur et corriger le problème.
	Le niveau d'arrêt du flotteur est réglé trop bas.	Se reporter à l'ÉTAPE 2.
	Le clapet de pied se trouve au-dessus du niveau de l'eau.	Ajuster le flotteur. Se reporter à l'ÉTAPE 2.
	Des débris bouchent l'évent du diaphragme de la vanne interne.	Fermer et ouvrir plusieurs fois de suite l'alimentation d'eau à la pompe pour déloger les débris. Si cette procédure ne résout pas le problème, entretenir la pompe pour éliminer les débris ou remplacer la vanne.
	Lors de la mise en marche de la pompe, le niveau d'eau dans la fosse se trouve en-dessous du clapet de pied.	Fermer l'alimentation d'eau à la pompe. Remplir la fosse d'eau jusqu'à submersion du flotteur. Ouvrir l'alimentation d'eau et activer le flotteur à la main. Laisser fonctionner la pompe pendant 3 à 5 secondes et libérer le flotteur avant que le clapet de pied ne se trouve au-dessus du niveau d'eau. La pompe doit s'arrêter de façon normale.
LA POMPE FONCTIONNE, MAIS NE PRODUIT QUE PEU OU PAS D'EAU	Des débris entourent l'orifice d'entrée.	Éliminer les débris des crépines de la fosse et du clapet de pied.
	La pression d'eau entrante est insuffisante	Contrôler la conduite d'amenée d'eau pour détecter un robinet fermé ou une pression d'eau faible.
	La conduite de refoulement est bloquée.	Enlever la conduite et purger les débris.
	Le clapet de pied se trouve au-dessus du niveau de l'eau.	Ajuster le flotteur. Se reporter à l'ÉTAPE 2.
	La levée verticale est trop haute.	Remplacer la tuyauterie de refoulement ou prendre contact avec le service technique.

Vue éclatée

PIÈCES DE RECHANGE HOMEGUARD – MODÈLE 503				503-A au B	503-C	503-D	503-E
ART.	DESCRIPTION	QTÉ	REMARQUES	du 08/10 au 02/10	du 03/10 au 10/10	du 11/10 au 5/11	du 6/11 au présent
1	collier de serrage	2	*	001766	001766	001766	001766
2	dispositif de non-retour	1		018587	018587	018587	018587
3	Raccord enclenchable	1		018584	018584	018584	018584
4	diaphragme et joint torique	1	*	018588	150553	150553	150553
5	piston	1	*	018589	018589	018589	018589
6	siège d'injecteur	1		018588	018557	018557	018557
7	ressort	1	*	018564	018564	018564	018564
8	guide de l'aimant de la tige de flotteur	1		150084	150084	150084	150084
9	guide de la tige de flotteur	1		150085	150085	150741	150741
10	butée du flotteur	2	*	054085	054085	054085	054085
11	flotteur	1		018567	018567	018567	018567
12	venturi	1		4C5532	4C5532	4C5532	4C5532
13	clapet de pied	1	**	150260	150260	150260	150260
14	ensemble de vanne	1		150101	150101	150101	150101
15	vis	6	*	001885	001885	001885	001885
16	tige de flotteur - longue	1		018583	018583	018583	018583
	tige de flotteur - courte		s/o	s/o	s/o	151708	
*	kit de remise à neuf	1		150086	150554	150554	150554

* Pièces comprises dans le kit de remise à neuf.

** Il faut couper le clapet de pied aussi proche que possible du haut de la valve et en coller un nouveau à la place.



SK2741



PUMP COMPANY

Zoeller Family of Water Solutions™

ADRESSE D'EXPÉDITION : 3649 Cane Run Road • Louisville, KY
40211-1961, États-Unis d'Amérique
+1 (502) 778-2731 • FAX +1 (502) 774-3624

Que vous dormiez en paix est notre priorité®

visitez notre site Web:
www.zoeller.com