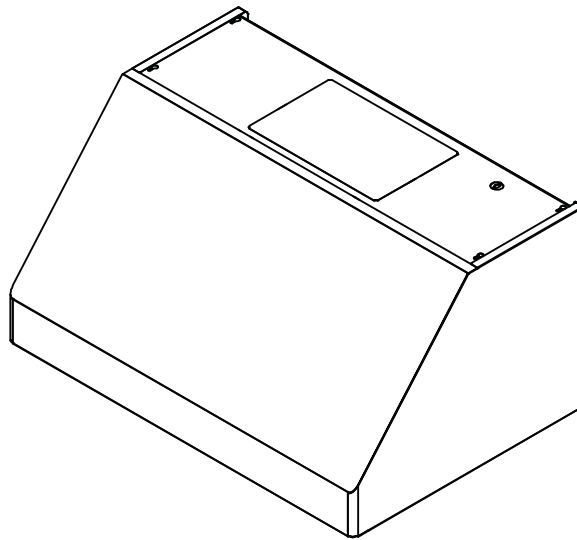


# Use, Care, and Installation Guide

## Tempest II

AK7500BS  
AK7536BS  
AK7548BS



Model number: \_\_\_\_\_  
Serial Number: \_\_\_\_\_  
Date of Purchase: \_\_\_\_\_  
Sales Dealer: \_\_\_\_\_





**SAFETY NOTICE** ..... 2-3

**LIST OF MATERIALS** ..... 4

**INSTALLATION**

    Ducting Calculation Sheet ..... 5

    Mounting Height & Clearance ..... 6

    Ducting Options ..... 7

    Specifications ..... 8

    Electrical ..... 9

    Mounting the Range Hood ..... 10

    Single Blower Horizontal Ducting Conversion ..... 11-12

    PBD-1200A Dual Blower Vertical Ducting ..... 13

    PBD-1200A Dual Blower Horizontal Ducting... 14

**FEATURES & CONTROLS**

    Touch Controls ..... 15-17

    Optional Remote Control ..... 18

**MAINTENANCE**

    Cleaning and Filter Removal ..... 19

    Lights ..... 20

**TROUBLESHOOTING** ..... 21

**WIRING DIAGRAMS** ..... 22

**FAN CURVE DIAGRAMS** ..... 23-24

**LIST OF PARTS AND ACCESSORIES** ..... 25

**Important Safety Notice**

**WARNING**

TO REDUCE THE RISK OF FIRE OR ELECTRIC SHOCK, DO NOT USE THIS FAN WITH ANY SOLID-STATE CONTROL DEVICE.

**WARNING**

TO REDUCE THE RISK OF FIRE ELECTRIC SHOCK, OR INJURY TO PERSONS, OBSERVE THE FOLLOWING:

- a. Use this unit only in the manner intended by the manufacturer, if you have questions, contact the manufacturer.
- b. Before servicing or cleaning unit, switch power off at service panel and lock panel to prevent power from being switched on accidentally. When the service disconnecting means cannot be locked, securely fasten a prominent warning device, such as a tag, to the service panel.

**CAUTION**

For general ventilating use only. Do not use to exhaust hazardous or explosive materials and vapors. Take care when using cleaning agents or detergents. Suitable for use in household cooking area.

**WARNING**

TO REDUCE THE RISK OF RANGE TOP GREASE FIRE:

- a. Never leave surface units unattended at high settings. Boilovers cause smoking and greasy spillovers that may ignite. Heat oils slowly on low or medium settings.
- b. Always turn hood ON when cooking at high heat or when flaming food
- c. Clean ventilating fans frequently. Grease should not be allowed to accumulate on fan or filter.
- d. Use proper pan size. Always use cookware appropriate for the size of the surface element.
- e. Keep fan, filters and grease laden surfaces clean.
- f. Use high setting on hood only when necessary.
- g. Don't leave hood unattended when cooking.
- h. Always use cookware and utensils appropriate for the type of and amount of food being prepared.

**WARNING**

TO REDUCE THE RISK OF INJURY TO PERSONS IN THE EVENT OF A RANGE TOP FIRE, OBSERVE THE FOLLOWING:

- a. SMOTHER FLAMES with a close-fitting lid, cookie sheet, or metal tray, then turn off the burner. BE CAREFUL TO PREVENT BURNS. If the flames do not go out immediately, EVACUATE AND CALL THE FIRE DEPARTMENT.
- b. NEVER PICK UP A FLAMING PAN – You may be burned.
- c. DO NOT USE WATER, including wet dishcloths or towels – a violent steam explosion will result.
- d. Use an extinguisher ONLY if:
  - 1. You know you have a Class ABC extinguisher, and you already know how to operate it.
  - 2. The fire is small and contained in the area where it started.
  - 3. The fire department is being called.
  - 4. You can fight the fire with your back to an exit

**WARNING**

TO REDUCE THE RISK OF FIRE, ELECTRIC SHOCK OR INJURY TO PERSONS, OBSERVE THE FOLLOWING:

- a. Installation work and electrical wiring must be done by qualified person(s) in accordance with all applicable codes and standards. Including fire-rated construction.
- b. Sufficient air is needed for power combustion and exhausting of gases through the flue (chimney) of fuel burning equipment to prevent back-drafting. Follow the heating equipment manufacturer's guideline and safety standards such as those published by the National Fire Protection Association (NFPA) and the American Society for Heating, Refrigeration and Air Conditioning Engineers (ASHRAE) and the local code authorities.
- c. When cutting or drilling into wall or ceiling, do not damage electrical wiring and other hidden utilities.
- d. Ducted fans must always vent to the outdoors.
- e. NEVER place a switch where it can be reached from a tub or shower.
- f. Make sure the power is off before installing, wiring or maintenancing.

**WARNING**

TO REDUCE THE RISK OF FIRE, USE ONLY METAL DUCTWORK.

**CAUTION**

To reduce risk of fire and to properly exhaust air outside - Do not vent exhaust air into spaces within walls, ceilings, attics, crawl spaces or garages.

**OPERATION**

Always leave safety grilles and filters in place. Without these components, operating blowers could catch onto hair, fingers and loose clothing.

The manufacturer declines all responsibility in the event of failure to observe the instructions given here for installation, maintenance and suitable use of the product. The manufacturer further declines all responsibility for injury due to negligence and the warranty of the unit automatically expires due to improper maintenance.

**\*NOTE: Please check [www.zephyronline.com](http://www.zephyronline.com) for revisions before doing any custom work.**

**ELECTRICAL REQUIREMENTS**

**Important:**

Observe all governing codes and ordinances.

It is the customer's responsibility:

- To contact a qualified electrical installer.
- To assure that the electrical installation is adequate and in conformance with National Electrical Code, ANSI/NFPA 70 latest edition\* or CSA standards C22.1-94, Canadian Electrical Code, Part 1 and C22.2 No.0-M91 - latest edition\*\* and all local codes and ordinances.

If codes permit and a separate ground wire is used, it is recommended that a qualified electrician determine that the ground path is adequate.

Do not ground to a gas pipe.

Check with a qualified electrician if you are not sure the range hood is properly grounded.

Do not have a fuse in the neutral or ground circuit.

\*National Fire Protection Association Batterymarch Park, Quincy, Massachusetts 02269

\*\* CSA International 8501 East Pleasant Valley Road, Cleveland, Ohio 44131-5575

This appliance requires a 120V 60Hz electrical supply and connected to an individual properly grounded branch circuit protected by a 15 or 20 ampere circuit breaker or time delay fuse. Wiring must be 2 wire with ground. Please also refer to Electrical Diagram on product.

A cable locking connector (not supplied) might also be required by local codes. Check with local requirements, purchase and install appropriate connector if necessary.

# List of Materials

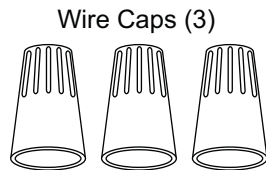
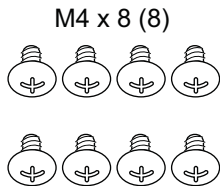
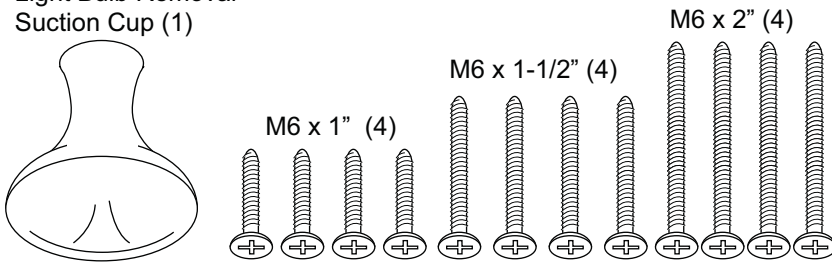
**MODELS:** AK7500BS, AK7536BS, AK7548BS

## PARTS SUPPLIED

- 1 - Hood
- 2 - Baffle filters AK7500BS, 3 for AK7536BS, 4 for AK7548BS
- 2 - Halogen light bulbs, 4 for AK7548BS
- 1 - 8" round starting collar (*for single blower ducting*)
- 1 - Rectangular starting collar (*for single blower horizontal ducting*)
- 1 - Top cover plate (for horizontal ducting)
- 1 - Hardware package

## HARDWARE PACKAGE CONTENTS

Light Bulb Removal  
Suction Cup (1)




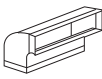
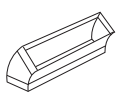
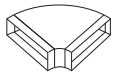
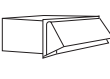
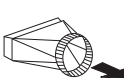
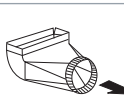
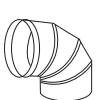



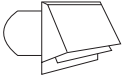


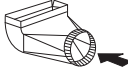
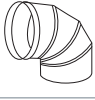

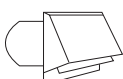

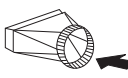
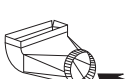
## PARTS NOT SUPPLIED

- Ducting, conduit and all installation tools
- Cable connector (if required by local codes)
- Dual Internal Blower Kit (PBD-1200A)
- Duct Cover Accessory
- Wood Board to hang hood ( W x D x H)

AK7500BS - 27" x 1/2" x 4"  
AK7536BS - 33" x 1/2" x 4"  
AK7548BS - 45" x 1/2" x 4"

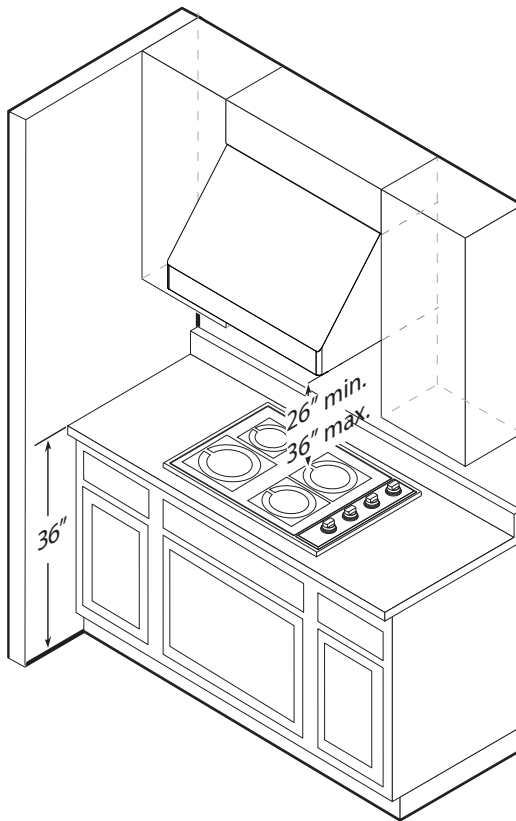
# Installation – Ducting Calculation Sheet

Duct pieces		Equivalent number length x used =	Total
	3-1/4" x 10" Rect., straight	1 Ft. x ( ) =	Ft.
	6" Round, straight	1 Ft. x ( ) =	Ft.
	7"-10" Round, straight	1 Ft. x ( ) =	Ft.
	3-1/4" x 10" Rect. 90° elbow	15 Ft. x ( ) =	Ft.
	3-1/4" x 10" Rect. 45° elbow	9 Ft. x ( ) =	Ft.
	3-1/4" x 10" Rect. 90° flat elbow	24 Ft. x ( ) =	Ft.
	3-1/4" x 10" Rect. wall cap with damper	30 Ft. x ( ) =	Ft.
	3-1/4" x 10" Rect. to 6" round transition	5 Ft. x ( ) =	Ft.
	3-1/4" x 10" Rect. to 6" round transition 90° elbow	20 Ft. x ( ) =	Ft.
	6" Round, 90° elbow	15 Ft. x ( ) =	Ft.
	6" Round, 45° elbow	9 Ft. x ( ) =	Ft.
Subtotal column 1 =			Ft.

Duct pieces		Equivalent number length x used =	Total
	6" Round wall cap with damper	30 Ft. x ( ) =	Ft.
	6" Round, roof cap	30 Ft. x ( ) =	Ft.
	6" round to 3-1/4" x 10" rect. transition	1 Ft. x ( ) =	Ft.
	6" round to 3-1/4" x 10" rect. transition 90° elbow	16 Ft. x ( ) =	Ft.
	7" - 10" Round, 90° elbow	15 Ft. x ( ) =	Ft.
	7" - 10" Round, 45° elbow	9 Ft. x ( ) =	Ft.
	7" - 10" Round wall cap with damper	30 Ft. x ( ) =	Ft.
	7" - 10" Round, roof cap	30 Ft. x ( ) =	Ft.
	7" round to 3 1/4" x 10" rect. transition	8 Ft. x ( ) =	Ft.
	7" round to 3-1/4" x 10" rect. transition 90° elbow	23 Ft. x ( ) =	Ft.
Subtotal column 2 =			Ft.
Subtotal column 1 =			Ft.
Total ductwork =			Ft.

**Maximum Duct Length:** For satisfactory air movement, the total duct length should not exceed 100 equivalent feet.

# Installation – Mounting Height & Clearance



Minimum mount height between range top to hood bottom should be no less than 26".

Maximum mount height should be no higher than 36".

It is important to install the hood at the proper mounting height. Hoods mounted too low could result in heat damage and fire hazard; while hoods mounted too high will be hard to reach and will lose its performance and efficiency.

If available, also refer range manufacturer's height clearance requirements and recommended hood mounting height above range.

## DUCTING

A minimum of 8" round or 3-1/4" x 10" rectangular duct must be used to maintain maximum air flow efficiency for single internal blower and 10" round duct for dual internal blower.

Always use rigid type metal ducts only. Flexible ducts could restrict air flow by up to 50%.

Also use calculation (on page 5) to compute total available duct run when using elbows, transitions and caps.

ALWAYS, when possible, reduce the number or transitions and turns. If long duct run is required, increase duct size.

If turns or transitions are required; install as far away from hood duct output and as far apart, between the two as possible.

### Vertical Ducting:

8" round minimum (single internal blower)  
10" round minimum (dual internal blower)

### Horizontal Ducting:

8" round minimum (single internal blower)  
3-1/4"x10" minimum (single internal blower)  
10" round minimum (dual internal blower)

### DAMAGE-SHIPMENT / INSTALLATION:

- Please fully inspect unit for damage before installation.
- If the unit is damaged in shipment, return the unit to the store in which it was bought for repair or replacement.
- If the unit is damaged by the customer, repair or replacement is the responsibility of the customer.
- If the unit is damaged by the installer (if other than the customer), repair or replacement must be made by arrangement between customer and installer.



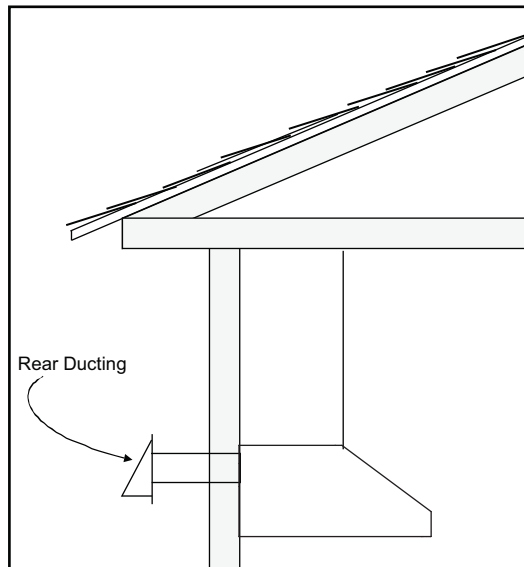
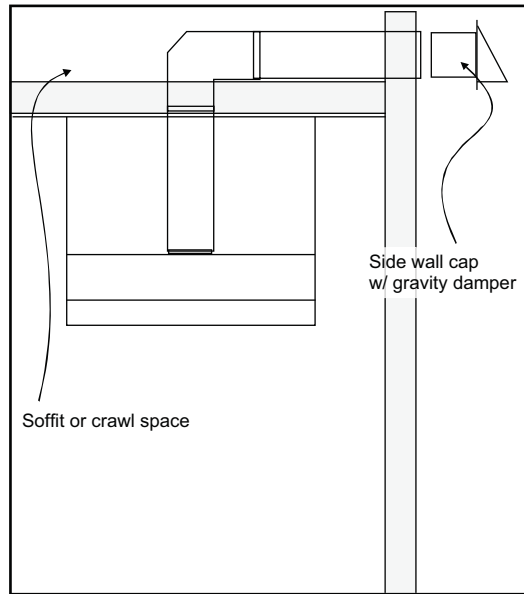
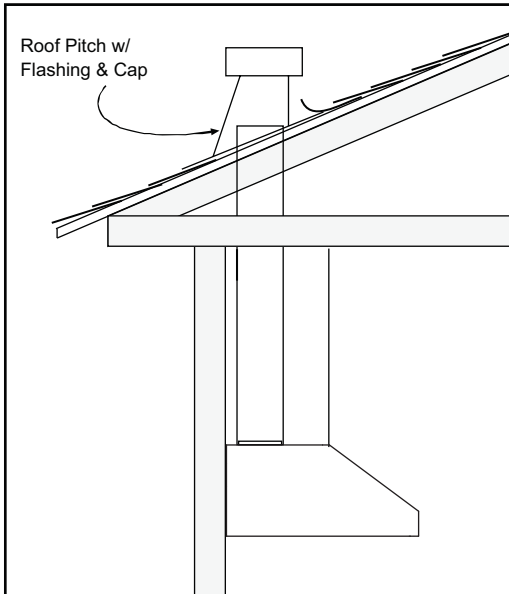
**WARNING FIRE HAZARD**

NEVER exhaust air or terminate duct work into spaces between walls, crawl spaces, ceiling, attics or garages. All exhaust must be ducted to the outside.

Use metal ductwork only.

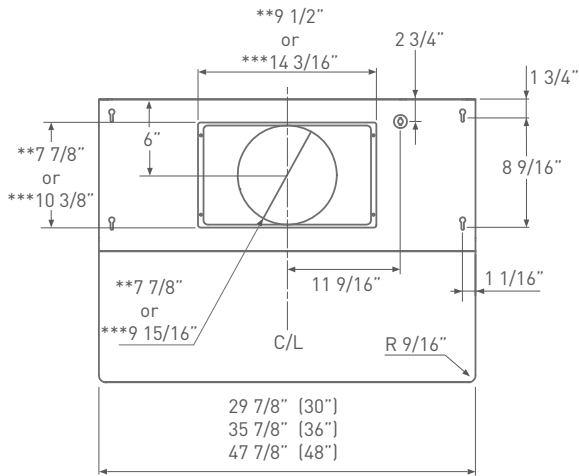
Fasten all connections with sheet metal screws and tape all joints with certified Silver Tape or Duct Tape.

**Some Ducting Options**

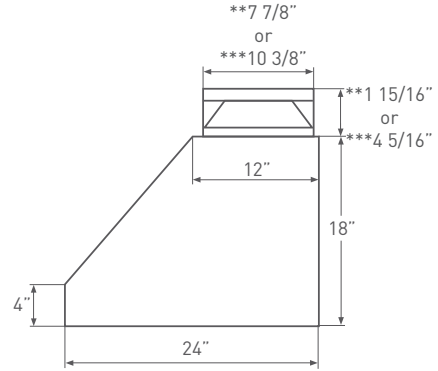


Installation – Specifications

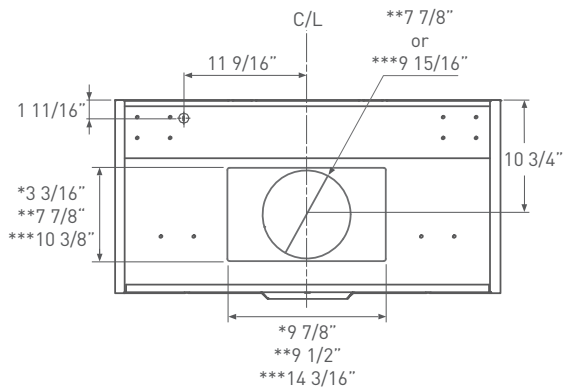
Top View



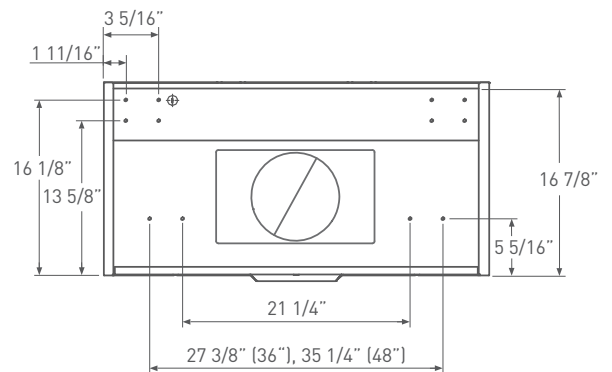
Side View



Back View  
Ducting & Electrical Dimensions



Back View  
Mounting Dimensions



\* Single Blower Rect. Ducting Dimension  
 \*\* Single Blower Round Ducting Dimension  
 \*\*\* Dual Blower Dimension

**ELECTRICAL  
WARNING**

**All Electrical work must be performed by qualified electrician or person with similar technical know how and background.**

For personal safety, remove house fuse or open circuit breaker before beginning installation. Do not use extension cord or adapter plug with this appliance.

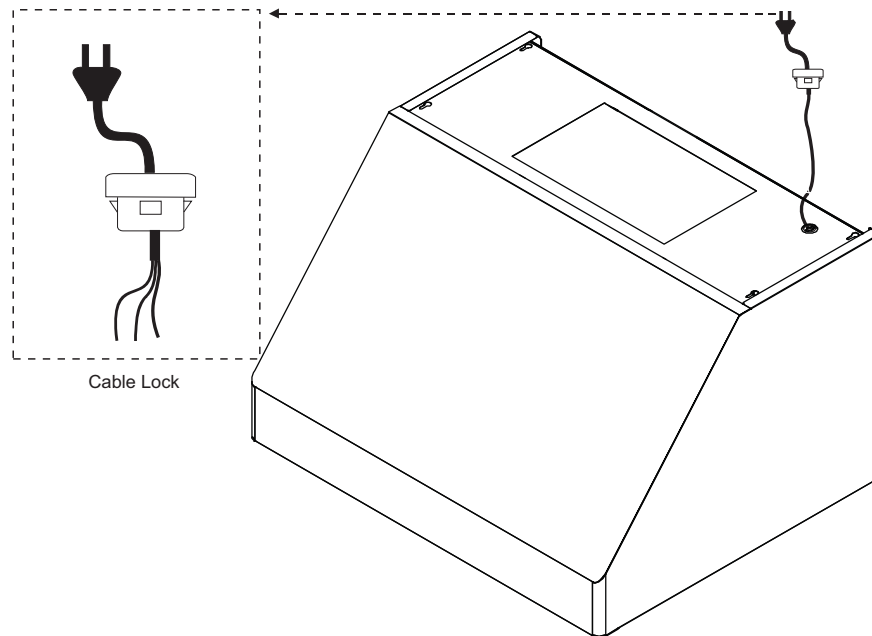
**Follow national electrical codes or prevailing local codes and ordinances.**

**Electrical Supply:**

This appliance requires a 120V 60Hz electrical supply, and connected to an individual, properly grounded branch circuit, protected by a 15 or 20 ampere circuit breaker or time delay fuse. Wiring must be 2 wire w/ ground. Please also refer Electrical Diagram labeled on product.

**Cable Lock:**

A cable locking connector (not supplied) might also be required by local codes. Check with local requirements and codes, purchase and install appropriate connector if necessary.

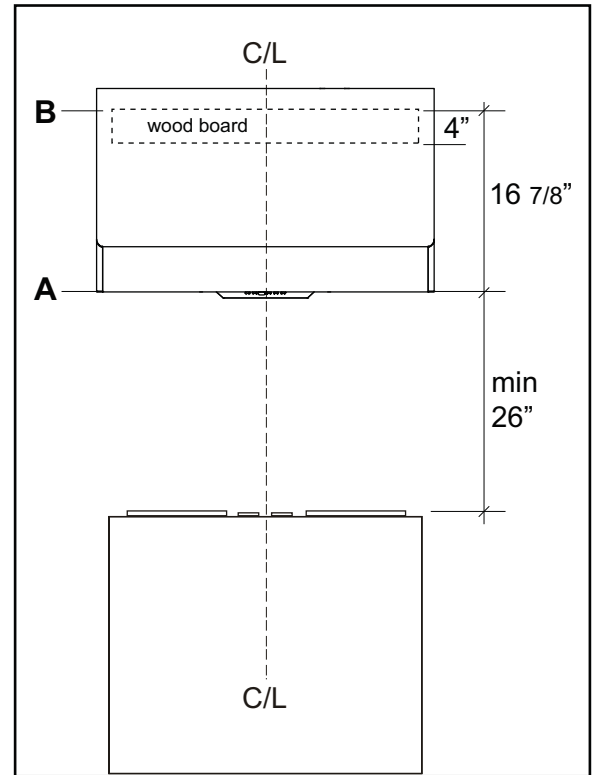


# Installation – Mounting the Range Hood

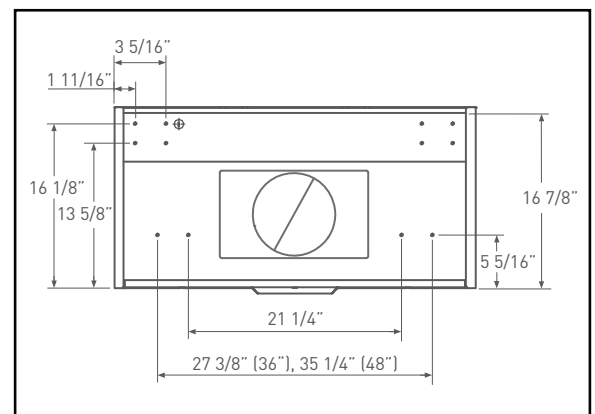
**⚠ CAUTION: At least two installers are required due to the weight and size of the hood.**

1. Select preferred ducting application (vertical or horizontal) and prepare hood. Refer to page 11 for single blower horizontal ducting, page 13 for dual blower vertical ducting or page 14 for dual blower horizontal ducting.
2. Plum and mark center line on wall.
3. Choose desired height above cooking surface (26" min). Level and mark hood bottom, line A (FIG. 1)
4. Level and mark top of wood board, line B (FIG. 1) 16 7/8" from line A.
5. Mark center line of wood board. Center and align top of board with line B. Secure wood board to studs using (4) M6 wood screws.  
*Wood Board Dimensions: (W x D x H)*  
AK7500BS - 27" x 1/2" x 4"  
AK7536BS - 33" x 1/2" x 4"  
AK7548BS - 45" x 1/2" x 4"
6. Prepare duct pipe and duct cut outs in upper cabinet if needed or wall if horizontally ducting hood. Refer to hood specifications on page 8 for dimensions.
7. Prepare electrical wiring and electrical cut outs in upper cabinet if needed or wall if horizontal electrical hook up is required. Refer to hood specifications on page 8 for dimensions.
8. Mount hood onto wood board and secure using (4) M6 wood screws.
9. Further secure hood onto wall through lower body screw holes by (2) M6 wood screws. See dimensions in FIG. 2.
10. Install electrical.
11. Install duct work and seal with certified aluminum duct tape.
12. Power up hood and check for leaks around duct tape.
13. Install baffle filters.

**⚠ WARNING: Electrical wiring must be done by a qualified person(s) in accordance with all applicable codes and standards. This range hood must be properly grounded. Turn off electrical power at service entrance before wiring.**



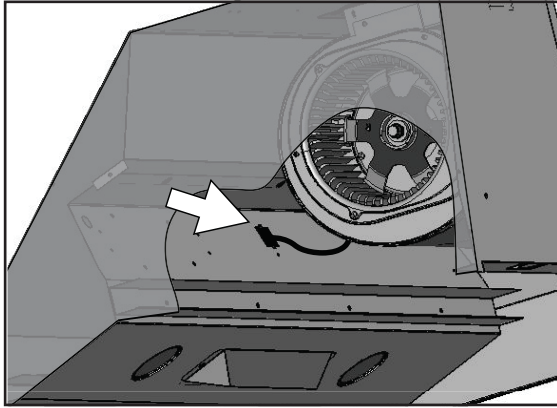
**FIG. 1**



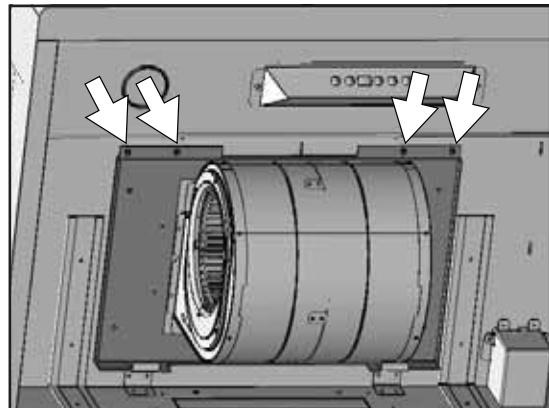
**FIG. 2**

This range hood is equipped standard with a 8" round vertical duct option. To convert from 8" round vertical to 8" round horizontal ducting or 3-1/4" x 10" rectangular horizontal ducting please following the instructions below.

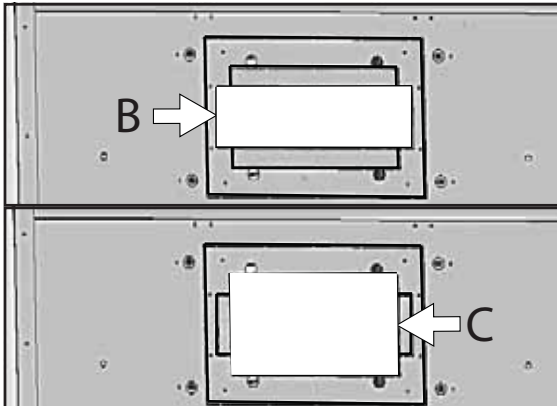
### VERTICAL TO HORIZONTAL DUCTING CONVERSION



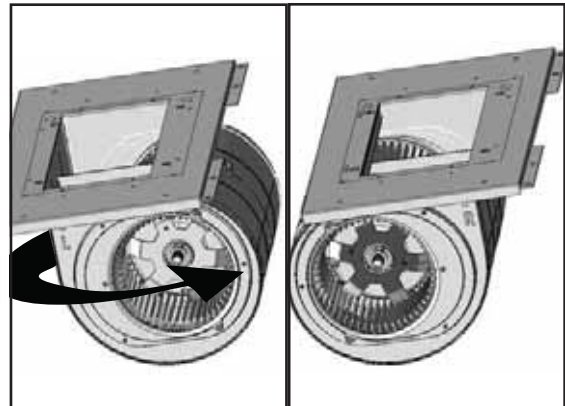
1. Disconnect blower plug.



2. Remove (4) screws from interior of hood body attaching single blower plate to top of hood body. Remove single blower and single blower plate.

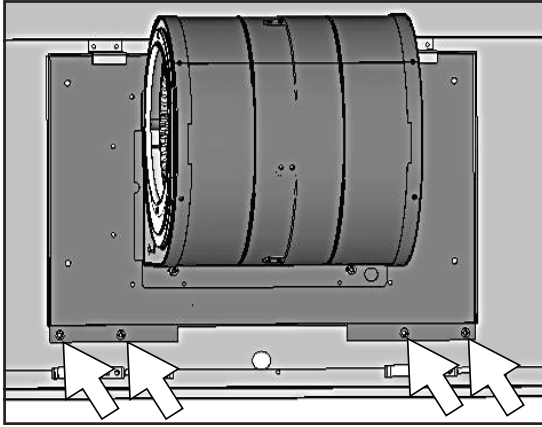


3. Knock out rear plate B for rear rectangular rear ducting or plate C for 8 inch round rear ducting.

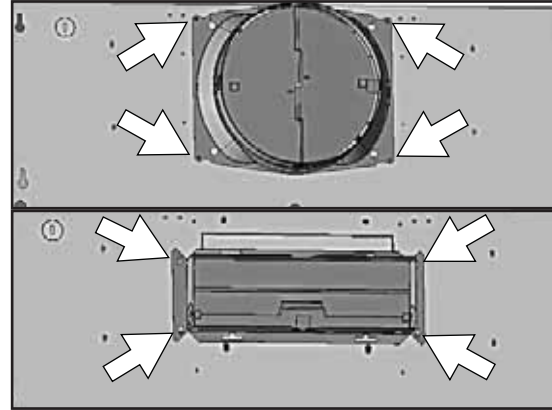


4. Remove (4) screws attaching blower to blower plate. Turn blower 180 degrees and reattach to blower plate.

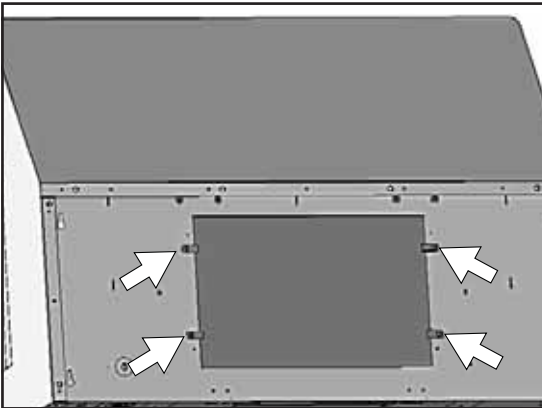
# Installation – Single Blower Horizontal Ducting Conversion



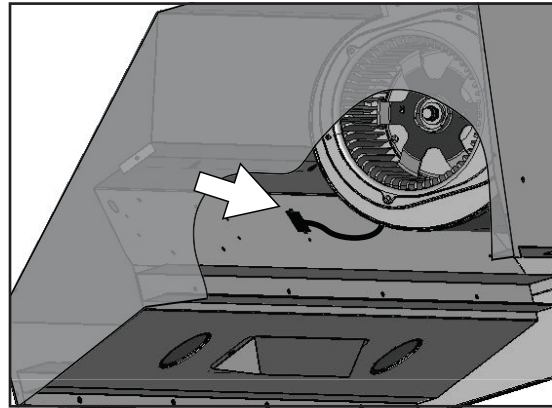
5. Position single blower with single blower plate as shown. Be sure to tuck back of single blower plate into tabs at back of hood. Secure single blower plate to back of hood using (4) screws removed from step 2.



6. Attach 8" round duct collar or 3 1/4"x10" rectangular duct collar to back of hood body using (4) M3.5 x 8 screws.

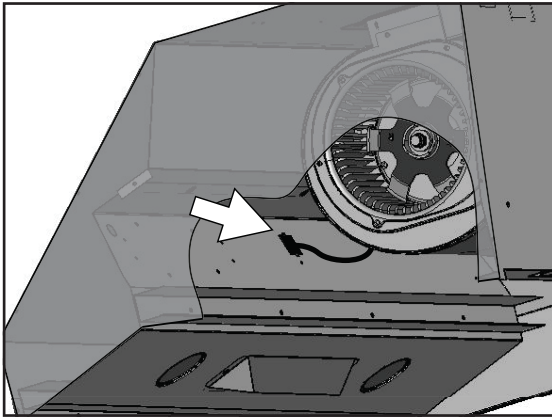


7. Attach top cover plate to top of hood body using (4) 3/16 x 3/8 screws.

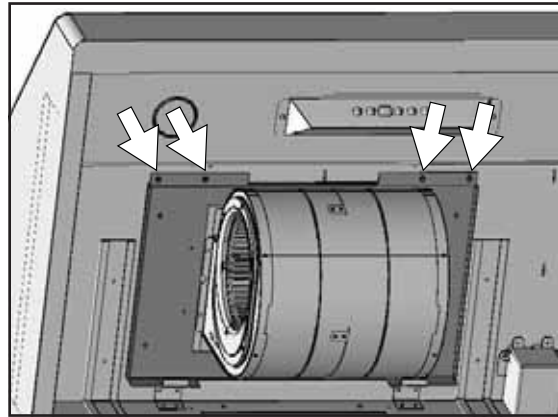


8. Connect blower plug.

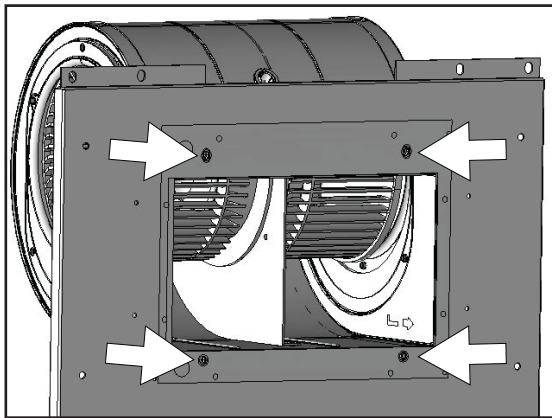
This range hood is equipped standard with a single blower vertical duct option. To convert from single blower vertical ducting to dual blower vertical ducting please following the instructions below.



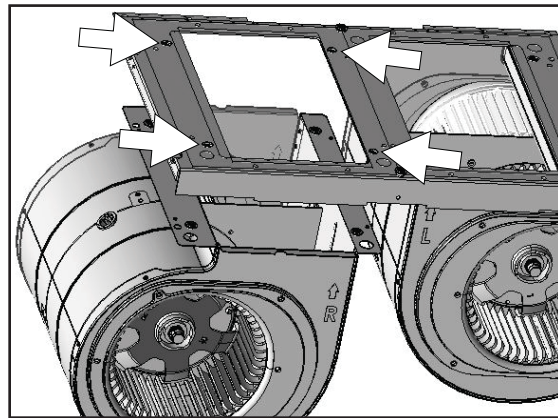
1. Disconnect blower plug.



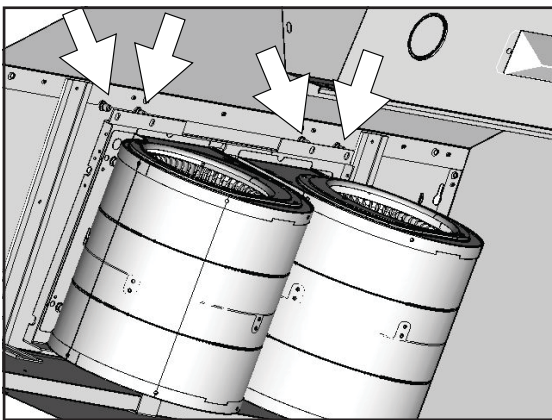
2. Remove (4) screws from interior of hood body attaching single blower plate to top of hood body. Remove single blower and single blower plate.



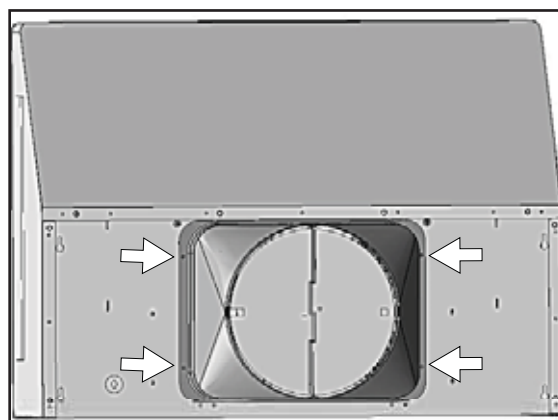
3. Remove (4) screws attaching single blower to single blower plate.



4. Attach single blower to dual blower plate by (4) previously removed screws from step 3.



5. Position dual blower inside hood body as shown. Be sure to tuck dual blower plate into blower plate tabs. Secure dual blower by (4) screws previously removed from step 2.

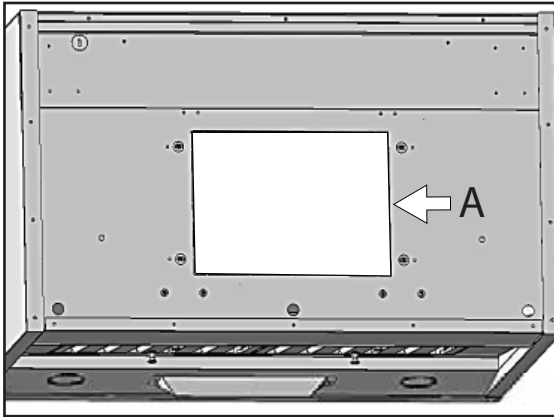


6. Attach 10" round blower collar to top of hood body by (4) M4 x 8 screws. Connect blower wire extension cable to new blower and connect plugs from each blower to female plugs behind switch panel.

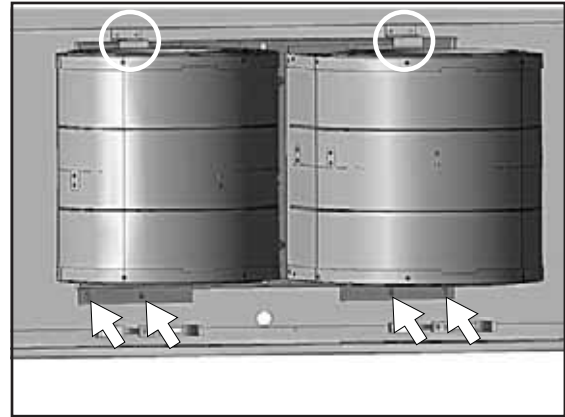


# Installation – PBD-1200A Dual Blower Horizontal Ducting

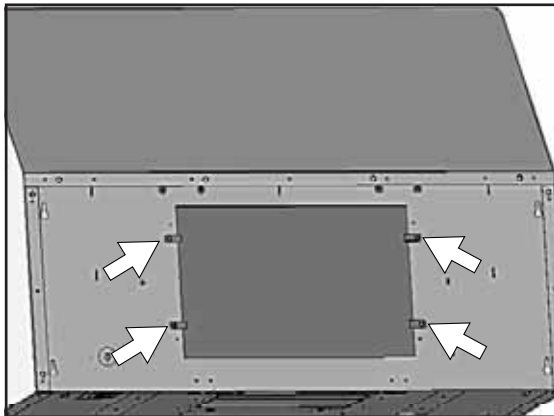
Follow Steps 1 through 4 on page 13, then continue PBD-1200A horizontal ducting installation by following the steps below.



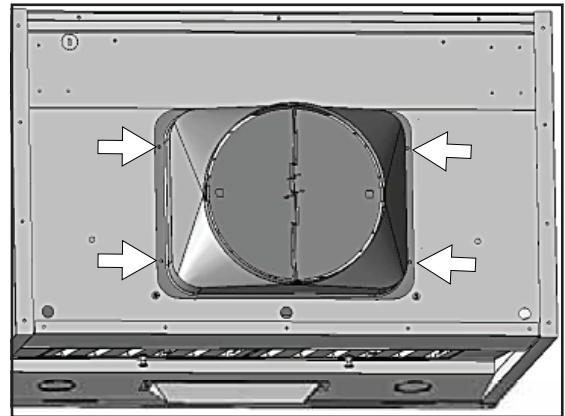
5. Knock out plate A for dual blower horizontal ducting.



6. Position dual blower inside hood body. Attach by (4) screws previously removed from step 2.

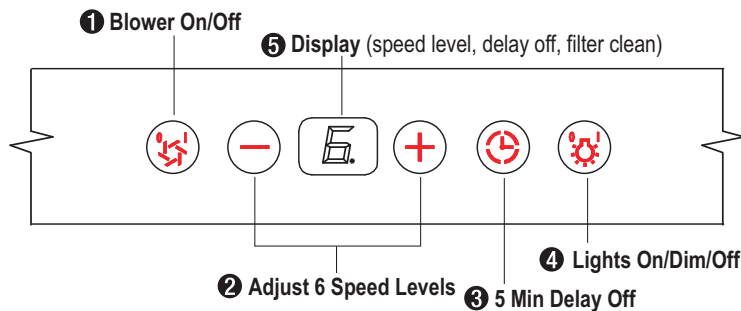


7. Attach top cover plate to top of hood body using (4) 3/16 x 3/8 screws.



8. Attach 10 inch round blower collar to back of hood using (4) M4 x 8 screws. Connect blower wire extension cable to new blower and connect both plugs from each blower to female plugs behind switch panel.








### 1. Blower On/Off

By pressing  the blower is switched on and off. When switched on, the blower starts up on speed level 1.

#### ACT Verification

- Airflow Control Technology (ACT) allows the installer to set the maximum blower CFM to align with local codes and regulations.
- To verify the maximum blower CFM:
  - With hood off, hold the  button for 3-4 seconds. If number 6 displays = default max. CFM, if number 3 displays = max. 390 CFM, and if number 2 displays = max. 290 CFM.



### 2. Speed Selection

The 6 speed levels are selected by pressing  to decrease and  to increase speed levels. The display indicates levels selected.


#### ACT Enabled Speed Selections

- When ACT is enabled, the number of blower speeds will be reduced as follows:
  - 390 CFM = Maximum 3 speeds
  - 290 CFM = Maximum 2 speeds

### 3. Delay Off

This feature is used for programmed shut down of blower 5 minutes after the function is activated. Press  once, a dot flashes in the lower right side of display  indicating the function is on. The blower will completely shut down after 5 minutes.

### 4. Lights On/Dim/Off


Switch lights on by pressing  once, press a second time to dim and again to shut off lights.

### 5. Display Window




The display window indicates speed levels and features such as baffle filter clean reminder, delay off and clean air indicator.

**Charcoal Filter Change Reminder (charcoal filter, if installed)**

When your hood is installed as a recirculating unit, it is fitted with a set of charcoal filters to purify exhaust and fumes from cooking, then re-circulates the air within the home. These charcoal filters are required to be replaced after every 120 hours of use. The charcoal filters should never be cleaned or placed in a dish washer.

The filter change reminder function in the microprocessor needs to be switched on. When switched on, the microprocessor will elapse and count usage time and indicate by a flashing  when charcoal filter replacements are needed.


**Setting the Filter Change Reminder**

When off, hold  for approximately 5 seconds. The display will change from  (exhaust mode) to  (recirculating mode) this indicates that the elapse timer function is switched on and charcoal filters are used.

**Set Mode**

hold 5 sec. display from  to 




**Filter Replace Indicator**

When the display  starts flashing, the charcoal filters need to be replaced.

**Change Filters**

display  flashes

**Re-setting Function**

Once filters are replaced, with hood off, press and hold  the display will appear; hold for approximately 5 seconds until  on displays disappears . The filter change reminder is now re-set and a new 120 hour elapse cycle is initiated.

**To Reset**

hold 5 sec. display from  to 





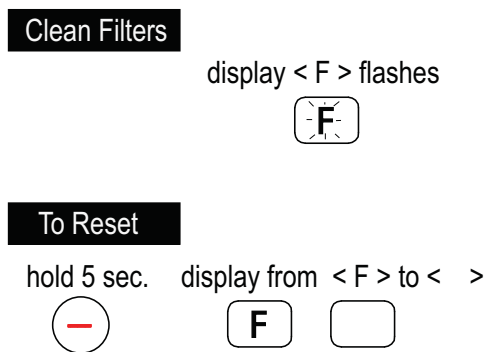
### Baffle Filter Clean Reminder

A set of baffle filters are fitted by the factory, these baffle filters are intended to filter out residue from cooking. The filters need not be replaced on a regular basis but are required to be kept clean. The Baffle-Filter Clean reminder function in the microprocessor will automatically indicate by a flashing **F** when the baffle filters need to be cleaned after every 30 hours of use. Filters can be cleaned by hand with non-abrasive soap or in a dishwasher. Heavily soiled filters should also be soaked in grease cutting detergent prior to cleaning.

### Baffle Filter Clean Indicator

When **F** flashes on the display, the baffle filters need to be cleaned. This will occur after every 30 hours of use.



Reset the filter clean reminder timer after filters are cleaned and re-installed. With hood off, press and hold  for approximately 5 seconds until **F** on display disappears . The filter clean reminder function is now reset and a new 30 hours elapse cycle is initiated.



### Clean Air Function

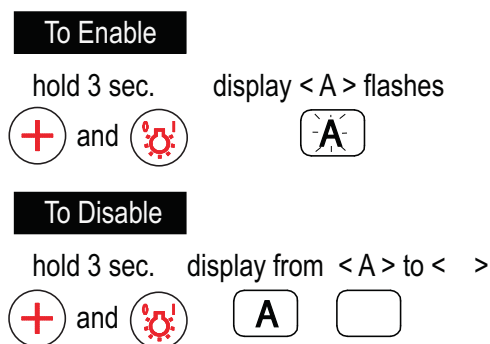
Clean Air is a feature that turns on the blower on low speed every 4 hours for 10 minutes to remove stagnant air in the kitchen. The Clean Air function is disabled by default and must be enabled by the user.

### Clean Air Indicator

While Clean Air is active, the display will alternate between **A**, , **A**, .

After 10 minutes of Clean Air operation, the blower will power off and the 4 hour timer will reset.

If the blower speed is changed while the Clean Air Function is in use, the cycle will be interrupted and the timer will reset after.

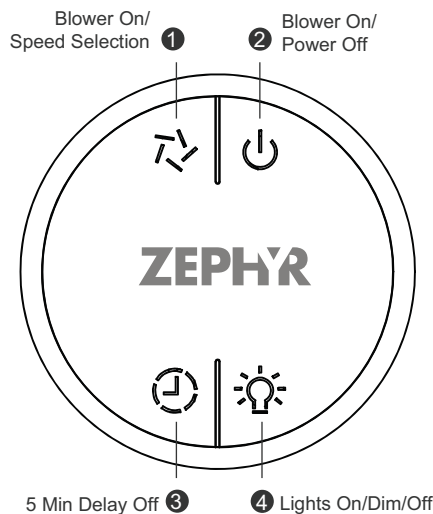


**FCC Caution:** To assure continued compliance, any changes or modifications not expressly approved by the party responsible for compliance could void the user's authority to operate this equipment. (Example - use only shielded interface cables when connecting to computer or peripheral device. This device complies with Part 15 of the FCC Rules. Operation is subject to the following two conditions. (1) This device may not cause harmful interference, and (2) This device must accept any interference received, including interference that may cause undesired operation.

**SYNCHRONIZATION:** To create a unique link between your hood and remote control please follow these steps:

1. With hood off, press and hold the "lights" button on the hood until the letter "F" shows on the display screen.
2. Press the "lights" button on the remote, the lights on the hood will turn on and synchronization is complete.

**RF REMOTE FUNCTIONS:**



**1 Blower On / Speed Selection**

Press to power on blower and cycle through all six blower speeds.

**2 Blower On / Power Off**

By pressing the blowers will power on at the last speed setting. Press again and the entire hood will power off, including lights.

**3 Delay Off**

By pressing the blower and lights will enter Delay Off mode. A dot will appear in the lower right corner of the hood display indicating the function is on. The blower will change to speed 1 and shut down after 5 minutes.

**4 Lights On / Dim / Off**

Switch lights On by pressing once, again to dim and again to switch Off.

**RF REMOTE FEATURES:**

The RF remote control is equipped with a magnet on the back for easy storage. The remote may be placed on any magnetic surface such as a refrigerator or the Zephyr remote holder, FIG. 1. The remote holder can be inserted into a standard electrical outlet for easy storage. Note: The remote holder does not charge the RF remote.

Maximum remote control communication distance is 15 feet from the hood.

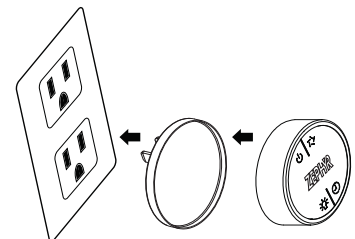


FIG. 1

**RF REMOTE MAINTENANCE:**

Clean the remote control using non abrasive detergents

**Follow instructions below for replacing battery.**

Using a small flat head screwdriver, raise the cover of the battery door (A) in order to access the battery compartment. FIG. 2.

Remove the battery and replace with battery type **A23 12V**.

Negative end of battery should face the spring inside the remote.

Re-install battery door and recycle old battery.

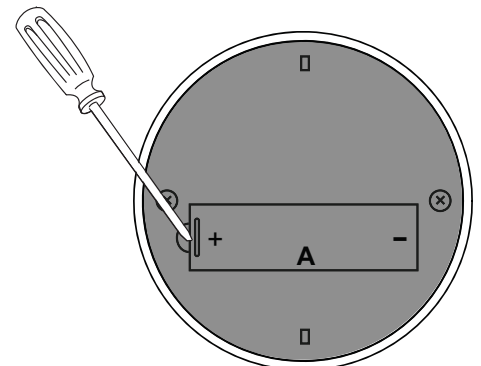


FIG. 2

**THE RF REMOVE CONTROL IS AN OPTIONAL ACCESSORY NOT INCLUDED WITH THE HOOD AND MUST BE PURCHASED SEPARATELY**

**SURFACE MAINTENANCE:**

Clean periodically with hot soapy water and clean cotton cloth. Do not use corrosive or abrasive detergent, or steel wool/scouring pads which will scratch and damage surface. Do not use products containing chlorine bleach or orange cleaners.

For heavier soil use liquid degreaser.

After cleaning, you may use non-abrasive stainless steel polish/ cleaners, to polish and buff out the stainless luster and grain. Always scrub lightly using a micro fiber or clean cotton cloth and with grain.

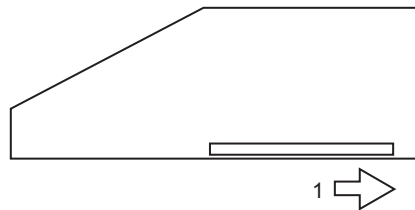
**Stainless Steel Baffle Filters**

The stainless steel baffle filters are intended to trap residue and grease from cooking. Although the filters should never need replacing, they are required to be cleaned every 30 days or more often depending on cooking habits.

Filters may be placed in dishwasher at low heat or soaked in hot soapy water. Dry filters and re-install before using hood.

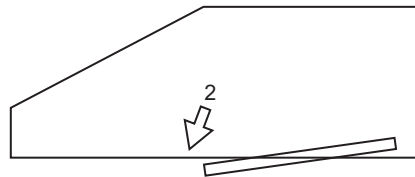
**Removing Baffle Filters**

1. Push filter toward back of range hood using handles.
2. Pivot front of filter downward.
3. Remove filter by pulling away from hood.



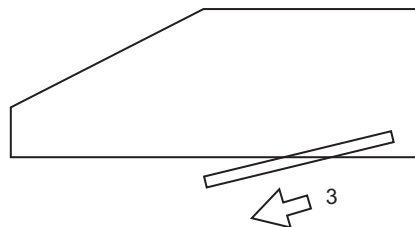
**Replacing Baffle Filters**

Hood Model:	Part No.	Qty. to Order.
AK7500BS	50210020	2
AK7536BS	50210020	3
AK7548BS	50210021	4



**Recirculating Kit** (includes charcoal filters and air diverter)

Hood Model:	Part No.	Qty. to Order.
AK7500BS	ZRC-7000B	1
AK7536BS	ZRC-7036B	1



Replacement Charcoal Filters also available by ordering part number Z0F-C002.

See manual included with recirculating kit for more information.

## REPLACING LIGHT BULBS

**CAUTION:** Light bulb becomes extremely hot when turned on.

**DO NOT touch bulb until switched off and cooled. Touching hot bulbs could cause serious burns.**

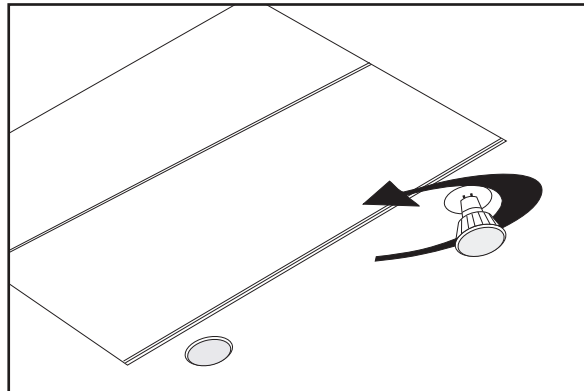
Make sure all power is turned off and bulbs are not hot.

Remove by turning bulb counter clockwise. **Note:** Bulb does not unscrew; it turns 60 degrees, stops and falls out.

If bulbs are difficult to turn due to prolonged use, firmly attach a glass suction cup approximately the diameter of the bulb or use a rubber/latex glove and turn counter clockwise.

Replacement bulbs are available at specialty lighting stores. Purchase type MR16 (GU-10) 35W halogen.

For Zephyr part numbers please turn to page 25 of the manual.



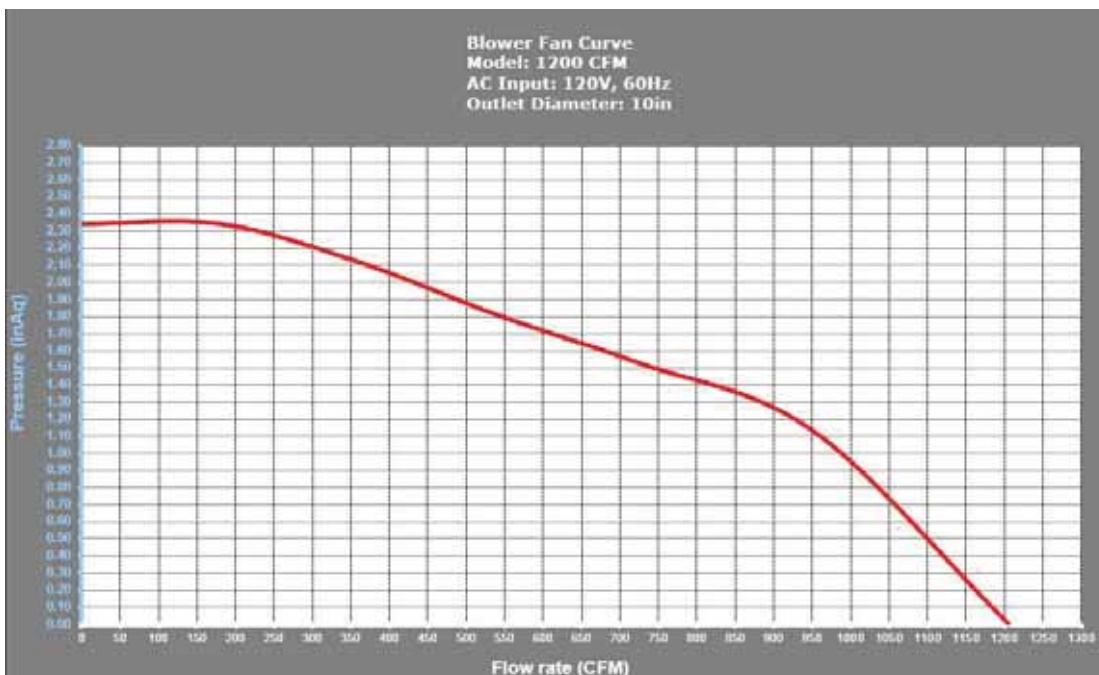
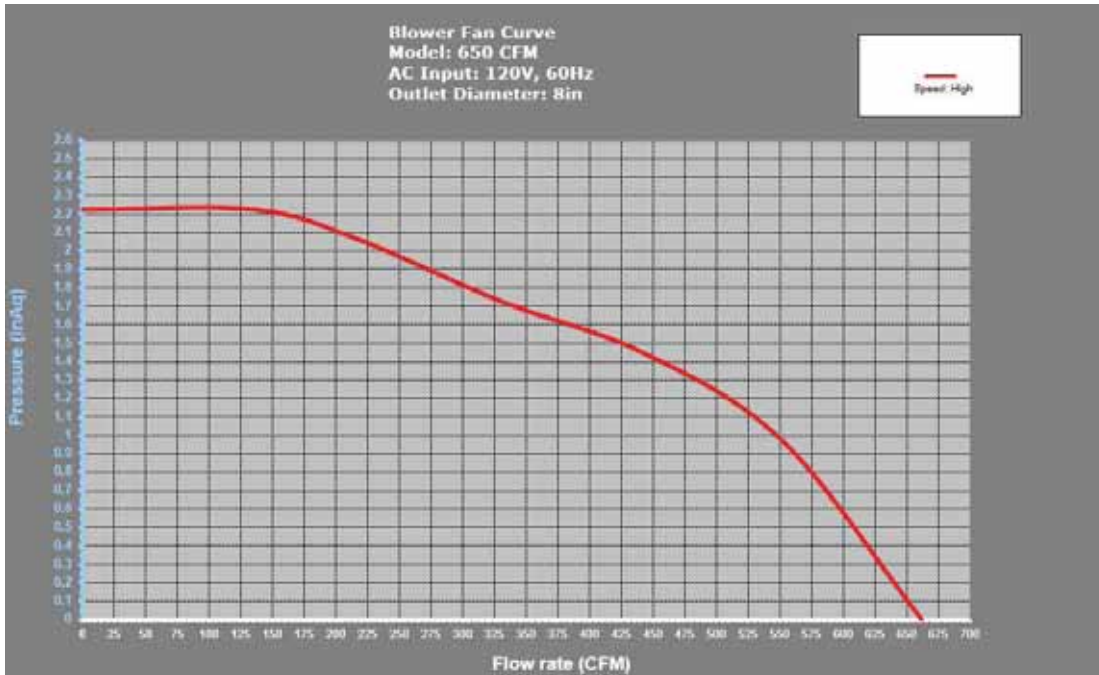
## TROUBLESHOOTING PROCEDURES FOR TEMPEST II

Issue	Cause	What to do
After installation, the unit doesn't work.	1. The power source is not turned ON.	1. Make sure the circuit breaker and the unit's power is ON.
	2. The power line and the cable locking connector is not connecting properly.	2. Check the power connection with the unit is connected properly.
	3. The switch board and control board wirings are disconnected.	3. Make sure the wirings between the switch board and control board are connected properly.
	4. The wires on control board are loose.	4. Make sure the wires on the control board are connected properly.
	5. The switch board or control board is defective.	5. Change the switch board or control board.
Light works, but the blower is not turning.	1. The blower is defective, possible seized.	1. Change the blower.
	2. The thermally protected system detects if the blower is too hot to operate and shuts the blower down.	2. The blower will function properly after the thermally protected system cool down.
	3. Damaged capacitor.	3. Change the capacitor.
	4. The blower wire is not connected.	4. Make sure the blower wire is plugged into the molex connector.
The unit is vibrating.	1. The blower is not secure in place.	1. Tighten the blower in place.
	2. Damaged blower wheel.	2. Change the blower.
	3. The hood is not secured in place.	3. Check the installation of the hood.
The blower is working, but the lights are not.	1. Defective halogen bulb.	1. Change the halogen bulb.
	2. The light bulb is loose.	2. Tighten the light bulb.
	3. The light bulb plug is disconnected.	3. Check the light bulb plug connection.
The hood is not venting out properly.	1. The hood might be hanging to high from the cook top.	1. Adjust the distance between the cook top and the bottom of the hood within 26" and 36" range.
	2. The wind from the opened windows or opened doors in the surrounding area are affecting the ventilation of the hood.	2. Close all the windows and doors to eliminate the outside wind flow.
	3. Blockage in the duct opening or duct work.	3. Remove all the blocking from the duct work or duct opening.
	4. The direction of duct opening is against the wind.	4. Adjust the duct opening direction.
	5. Using the wrong size of ducting.	5. Change the ducting to correct size.
Metal filter is vibrating.	1. Metal filter is loose.	1. Change the metal filter.
	2. Spring clip is broken.	2. Change the spring clip.
The blower turns on by itself.	1. The clean air function has been enabled turning the blower on every 4 hours.	1. Disable the clean air function by following the steps on page 17.





# Fan Curve Diagrams



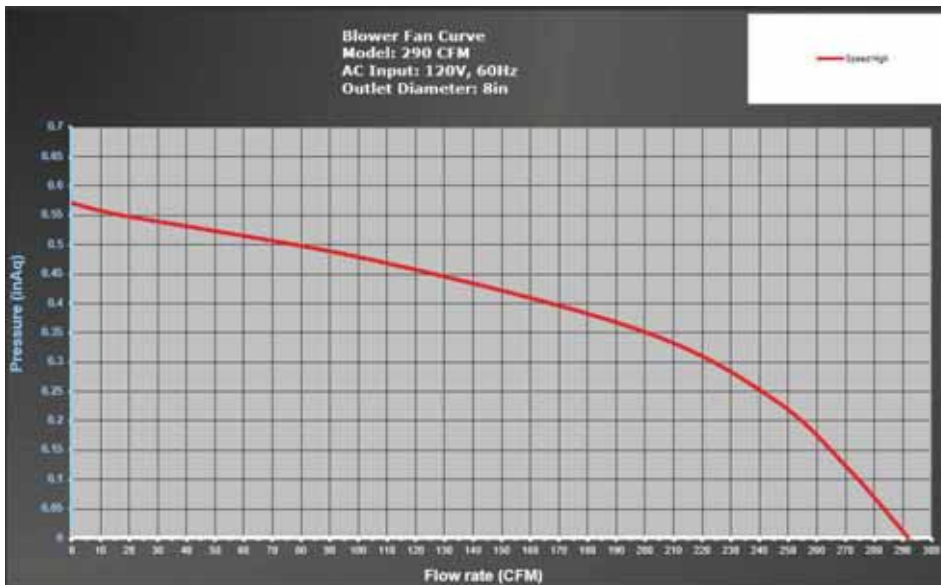
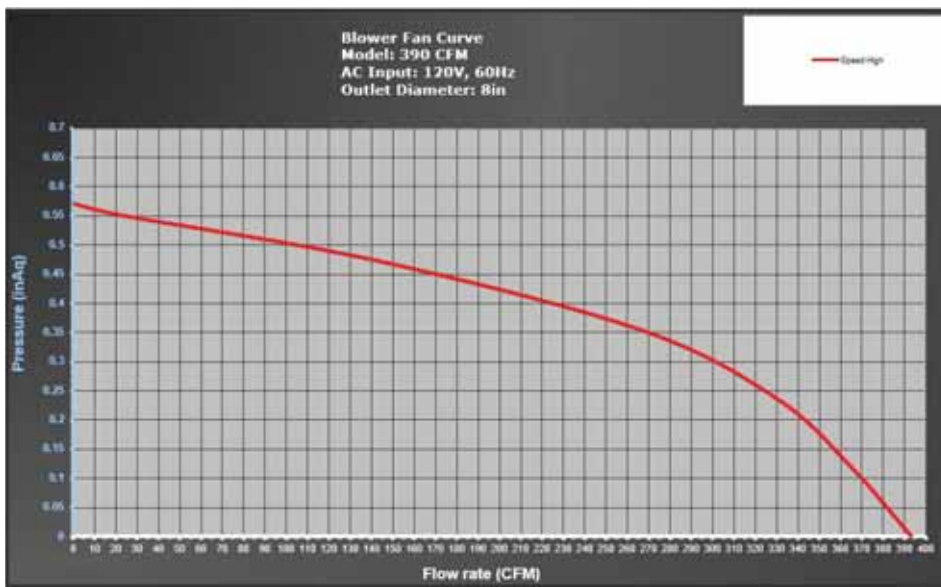
# Fan Curve Diagrams

## Airflow Control Technology (ACT)

Some local codes limit the maximum amount of CFM a range hood can move. ACT allows you to control the maximum blower CFM of hoods with of select Zephyr Ventilation range hoods without the need for expensive make up air kits. ACT enables the installer to easily set the maximum blower speed to one of two most commonly specified CFM levels; 390 or 290 CFM. The usage of ACT may not be necessary for your installation. Please check your local codes for CFM restrictions.

**By default the maximum blower CFM is set to 650.**

To verify if your installer enabled ACT; With hood off, press and hold the blower on/off button for three seconds. If the number 6 displays = default max. CFM, if the number 3 displays = max. 390 CFM, and if the number 2 displays = max. 290 CFM. When ACT is enabled, the number of blower speeds will be reduced. 390 CFM = max. 3 speeds and 290 CFM = max. 2 speeds. There should also be a foil label located inside the hood body near the wiring diagram that indicates the blower CFM.



<b>DESCRIPTION</b>	<b>PART #</b>
<b>Replacement Parts</b>	
Light Bulb MR16 (GU10) 35W (each)	Z0B-0023
Baffle Filter (30" & 36") (each)	50210020
Baffle Filter (48") (each)	50210021
<b>Optional Accessories</b>	
Dual Internal Blower	PBI-1200A
Recirculating Kit (30") *	ZRC-7000B
Recirculating Kit (36") *	ZRC-7036B
Back Splash (30")	AK0710
Back Splash (36")	AK0716
Back Splash (48")	AK0718
12" Duct Cover (30")	AK0720
12" Duct Cover (36")	AK0726
12" Duct Cover (48")	AK0728

**\*Recirculating kit only compatible with single internal blower, not dual internal blower.**

To order parts, visit us online at <http://store.zephyronline.com> or call us at 1.888.880.8368

# ZEPHYR

## Limited Warranty

**STAPLE YOUR RECEIPT HERE**  
**Proof of the original purchase**  
**date is needed to obtain**  
**service under warranty**

**TO OBTAIN SERVICE UNDER WARRANTY OR FOR ANY SERVICE RELATED QUESTIONS, please call:**  
**1-888-880-8368**

Zephyr Corporation (referred to herein as “we” or “us”) warrants to the original consumer purchaser (referred to herein as “you” or “your”) of Zephyr products (the “Products”) that such Products will be free from defects in materials or workmanship as follows:

**Three Year Limited Warranty for Parts:** For three years from the date of your original purchase of the Products, we will provide, free of charge, Products or parts (including LED light bulbs, if applicable) to replace those that failed due to manufacturing defects. We may choose, in our sole discretion, to repair or replace parts before we elect to replace the Products.

**One Year Limited Warranty for Labor:** For one year from the date of your original purchase of the Products, we will provide, free of charge, the labor cost associated with repairing the Products or parts to replace those that failed due to manufacturing defects. After the first year from the date of your original purchase, you are responsible for all labor costs associated with this warranty.

**Warranty Exclusions:** This warranty covers only repair or replacement, at our option, of defective Products or parts and does not cover any other costs related to the Products including but not limited to: (a) normal maintenance and service required for the Products and consumable parts such as incandescent or halogen light bulbs, metal and carbon filters and fuses; (b) any Products or parts which have been subject to freight damage, misuse, negligence, accident, faulty installation or installation contrary to recommended installation instructions, improper maintenance or repair (other than by us); (c) commercial use of the Products or use otherwise inconsistent with its intended purpose; (d) natural wear of the finish of the Products or wear caused by improper maintenance, use of corrosive and abrasive cleaning products, pads, and oven cleaner products; (e) chips, dents or cracks caused by abuse or misuse of the Products; (f) service trips to your home to teach you how to use the Products; or (g) damage to the Products caused by accident, fire, floods or act of God. If you are outside our service area, additional charges may apply for shipping costs for warranty repair at our designated service locations and for the travel cost to have a service technician come to your home to repair, remove or reinstall the Products. After the first year from the date of your original purchase, you are also responsible for all labor costs associated with this warranty.

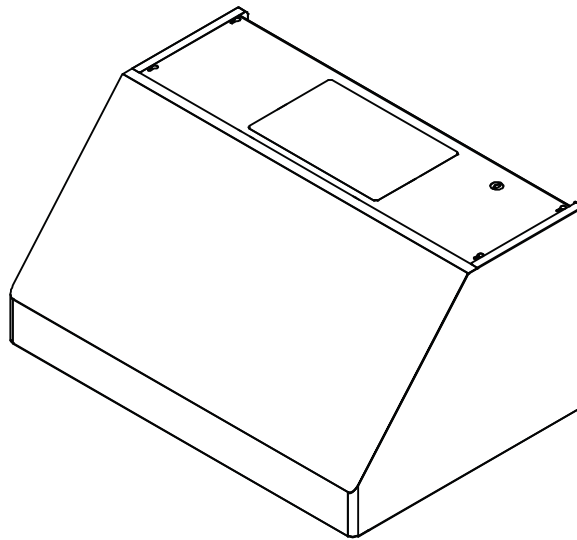
**Limitations of Warranty. OUR OBLIGATION TO REPAIR OR REPLACE, AT OUR OPTION, SHALL BE YOUR SOLE AND EXCLUSIVE REMEDY UNDER THIS WARRANTY. WE SHALL NOT BE LIABLE FOR INCIDENTAL, CONSEQUENTIAL OR SPECIAL DAMAGES ARISING OUT OF OR IN CONNECTION WITH THE USE OR PERFORMANCE OF THE PRODUCTS. THE EXPRESS WARRANTIES IN THE PRECEDING SECTION ARE EXCLUSIVE AND IN LIEU OF ALL OTHER EXPRESS WARRANTIES. WE HEREBY DISCLAIM AND EXCLUDE ALL OTHER EXPRESS WARRANTIES FOR THE PRODUCTS, AND DISCLAIM AND EXCLUDE ALL WARRANTIES IMPLIED BY LAW, INCLUDING THOSE OF MERCHANTABILITY AND FITNESS FOR A PARTICULAR PURPOSE.** Some states or provinces do not allow limitations on the duration of an implied warranty or the exclusion or limitation of incidental or consequential damages, so the above limitations or exclusions may not apply to you. To the extent that applicable law prohibits the exclusion of implied warranties, the duration of any applicable implied warranty is limited to the same two-year period described above. Any oral or written description of the Products is for the sole purpose of identifying the Products and shall not be construed as an express warranty. Prior to using, implementing or permitting use of the Products, you shall determine the suitability of the Products for the intended use, and you shall assume all risk and liability whatsoever in connection with such determination. We reserve the right to use functionally equivalent refurbished or reconditioned parts or Products as warranty replacements or as part of warranty service. This warranty is not transferable from the original purchaser and applies in the United States and Canada.

**To Obtain Service Under Limited Warranty:** To qualify for warranty service, you must: (a) notify us at the address or telephone number stated below within 60 days of the discovery of the defect; (b) give the model number and part identification number and serial number; and (c) describe the nature of any defect in the Product or part. At the time of the request for warranty service, you must present evidence of your proof of purchase and proof of the original purchase date. If we determine that the warranty exclusions listed above apply or if you fail to provide the necessary documentation to obtain service, you will be responsible for all shipping, travel, labor and other costs related to the services.

Please check our website for any revisions, [www.zephyronline.com](http://www.zephyronline.com).

# Tempest II

AK7500BS  
AK7536BS  
AK7548BS



Numéro de modèle : \_\_\_\_\_

Numéro de série : \_\_\_\_\_

Date d'achat : \_\_\_\_\_

Détaillant: \_\_\_\_\_





<b>MISE EN GARDE DE SÉCURITÉ</b> .....	2-3
<b>LISTE DU MATÉRIEL</b> .....	4
 <b>INSTALLATION</b>	
Feuille de calcul pour le conduit.....	5
Espace libre et hauteur de montage.....	6
Options d'installation pour le conduit.....	7
Spécifications.....	8
Électricité.....	9
Installation de la hotte.....	10
Conversion horizontale de conduit pour ventilateur simple.....	11-12
Conduit vertical pour ventilateur double PBD-1200A.....	13
Conduit horizontal pour ventilateur double PBD-1200A.....	14
 <b>COMMANDES ET CARACTÉRISTIQUES</b>	
Commandes à effleurement.....	15-17
Commande à distance optionnelle .....	18
 <b>ENTRETIEN</b>	
Nettoyage et retrait des filtres .....	19
Ampoules.....	20
 <b>DÉPANNAGE</b> .....	21
 <b>SCHÉMAS DE CÂBLAGE</b> .....	22
 <b>DIAGRAMMES DES COURBES CARACTÉRISTIQUES DES VENTILATEURS</b> .....	23-24
 <b>LISTES DES ACCESSOIRES ET DES PIÈCES</b> .....	25

**AVERTISSEMENT**

POUR RÉDUIRE LES RISQUES D'INCENDIE OU DE DÉCHARGE ÉLECTRIQUE, N'UTILISEZ PAS CET APPAREIL AVEC UN TABLEAU DE COMMANDE À SEMI-CONDUCTEURS.

**AVERTISSEMENT**

POUR RÉDUIRE LES RISQUES D'INCENDIE, DE DÉCHARGE ÉLECTRIQUE OU DE BLESSURE, RESPECTEZ CES CONSIGNES :

- N'utilisez cet appareil que de la manière prévue par le fabricant. Si vous avez des questions, communiquez avec le fabricant.
- Avant de procéder au nettoyage ou à l'entretien de l'appareil, éteignez l'alimentation du panneau électrique et bloquez le dispositif de déconnexion pour éviter que l'alimentation électrique ne soit accidentellement rallumée. Si le dispositif de sectionnement d'électricité ne peut être bloqué, attachez un avertissement (comme une étiquette) bien en vue sur le tableau électrique.

**ATTENTION**

Pour ventilation générale seulement. N'utilisez pas cet appareil pour évacuer des vapeurs et des matériaux explosifs ou dangereux. Prenez garde lors de l'utilisation d'agents nettoyants ou de détergents. Ne devrait être utilisé que dans la cuisine de votre maison.

**AVERTISSEMENT**

POUR RÉDUIRE LES RISQUES DE FEU DE GRAISSE SUR LA SURFACE DE CUISSON :

- Ne laissez jamais l'appareil sans surveillance lors de son utilisation à haute température. Les débordements par bouillonnement causent de la fumée et des déversements de graisse qui peuvent prendre feu. Faites chauffer l'huile à des températures basses ou moyennes.
- Allumez toujours la hotte lorsque vous cuisinez à haute température ou que vous faites flamber des aliments.
- Nettoyez fréquemment les ventilateurs de la hotte. La graisse ne devrait jamais s'accumuler dans les ventilateurs ou les filtres.
- Utilisez des poêlons aux dimensions adéquates. Utilisez toujours une batterie de cuisine correspondant aux dimensions de l'élément.
- Assurez-vous que le ventilateur, les filtres et les surfaces où la graisse pourrait s'accumuler sont toujours propres.
- Utilisez le réglage haut de la hotte seulement lorsque nécessaire.
- Ne laissez pas la hotte sans surveillance lorsque vous cuisinez.
- Utilisez toujours une batterie de cuisine et des ustensiles convenant au type et à la quantité de nourriture que vous préparez.

**AVERTISSEMENT**

POUR RÉDUIRE LES RISQUES DE BLESSURE LORS D'UN INCENDIE SUR LA SURFACE DE CUISSON :

- ÉTOUFFEZ LES FLAMMES avec un couvercle, une plaque à biscuits ou un plateau de métal et éteignez ensuite le brûleur. PRENEZ GARDE AUX RISQUES DE BRÛLURE. Si les flammes ne disparaissent pas, ÉVACUEZ LES LIEUX ET APPELEZ LE SERVICE D'INCENDIE.
- NE PRENEZ JAMAIS UN POÊLON EN FEU – Vous pourriez vous brûler.
- N'UTILISEZ PAS D'EAU, ou un linge à vaisselle mouillé – une violente explosion de vapeur s'ensuivra.
- Utilisez un extincteur SEULEMENT si :
  - Vous savez que vous possédez un extincteur de classe ABC et vous savez vous en servir.
  - Le feu est faible et ne s'est pas répandu depuis son point d'origine.
  - Vous avez appelé le service d'incendie.
  - Vous pouvez sortir facilement de l'endroit où vous combattez le feu.

**AVERTISSEMENT**

POUR RÉDUIRE LES RISQUES D'INCENDIE, DE DÉCHARGE ÉLECTRIQUE OU DE BLESSURE, SUIVEZ LES CONSIGNES SUIVANTES :

- Les travaux d'installation et de câblage électrique doivent être faits par une personne qualifiée selon les stipulations de tous les normes et standards en vigueur, dont les normes des constructions ayant une cote de résistance au feu.
- Pour prévenir les contre-explosions, une certaine quantité d'air est nécessaire pour la combustion et l'évacuation des gaz par le carneau (cheminée) de l'appareil de combustion. Respectez les directives du fabricant d'outillage de chauffage et les normes de sécurité comme celles publiées par la NFPA (Association nationale des services d'incendie), par la Société américaine des ingénieurs en chauffage, réfrigération et climatisation (ASHRAE) et par les normes des autorités locales.
- Lorsque vous coupez ou percez un mur ou un plafond, assurez-vous de ne pas endommager le câblage électrique ou toute autre installation technique dissimulée.
- Les ventilateurs canalisés doivent toujours évacuer l'air à l'extérieur.
- N'installez JAMAIS un interrupteur à une distance atteignable depuis un bain ou une douche.
- Assurez-vous que l'alimentation électrique est éteinte avant de procéder à l'installation, au câblage ou à l'entretien de l'appareil.



## ATTENTION

POUR RÉDUIRE LES RISQUES D'INCENDIE, N'UTILISEZ QUE DES CONDUITS D'AÉRATION EN MÉTAL.

## ATTENTION

Pour réduire les risques d'incendie et pour évacuer l'air convenablement, assurez-vous de canaliser l'air à l'extérieur de la maison. N'installez pas l'échappement du conduit dans les espaces entre les murs, le plafond, le grenier, les vides sanitaires ou le garage.

## FONCTIONNEMENT

Laissez toujours les grilles de sûreté et les filtres en place. Sans ces éléments, les ventilateurs en marche pourraient accrocher des cheveux, des doigts ou des vêtements amples.

Le fabricant se dégage de toute responsabilité dans les cas de non-respect des instructions transmises dans le présent manuel pour l'installation, l'entretien et l'utilisation adéquate du produit. Le fabricant se dégage également de toute responsabilité pour des blessures qui résulteraient de la négligence lors de l'utilisation. De plus, la garantie prend fin automatiquement lors de l'entretien inapproprié de l'appareil.

**\*NOTE : Veuillez communiquer avec nous ou visitez le [www.zephyronline.com](http://www.zephyronline.com) pour obtenir des révisions avant de procéder à des travaux sur commande.**

## EXIGENCES ÉLECTRIQUES

### Important :

Respectez tous les codes et règlements en vigueur.

Il est de la responsabilité du client de :

- Communiquer avec un installateur-électricien qualifié.
- S'assurer que l'installation électrique est adéquate et qu'elle respecte le Code national de l'électricité, la plus récente édition\* du ANSI/NFPA 70 ou des normes du CSA C22.1-94, le Code canadien de l'électricité, section 1, la plus récente édition\*\* du code C22.2 No.0-M91 ainsi que tous les codes et règlements en vigueur.

Si les codes permettent l'utilisation d'un fil de garde isolé et que vous en utilisez un, il est recommandé qu'un électricien qualifié détermine si le cheminement du fil est adéquat.

N'effectuez pas la mise à la terre à un tuyau de gaz.

Demandez à un électricien qualifié si vous n'êtes pas certain que la hotte a été mise à la terre adéquatement.

N'introduisez aucun fusible dans le circuit neutre ou de mise à la terre.

\*National Fire Protection Association Batterymarch Park, Quincy, Massachusetts 02269

\*\* CSA International 8501 East Pleasant Valley Road, Cleveland, Ohio 44131-5575

Cet appareil requiert une alimentation électrique de 120V 60Hz. Il doit être connecté à un circuit terminal individuel dûment mis à la terre, protégé par un disjoncteur de circuit ou un fusible temporisé de 15 ou 20 ampères. Le câblage doit compter 2 fils avec mise à la terre. Veuillez vous référer au Diagramme électrique étiqueté sur l'appareil.

Un raccord de câble (non inclus) pourrait également être exigé par les normes et réglementations locales. Informez-vous des exigences et des normes locales. Achetez et installez le connecteur approprié si nécessaire.

# Liste du matériel

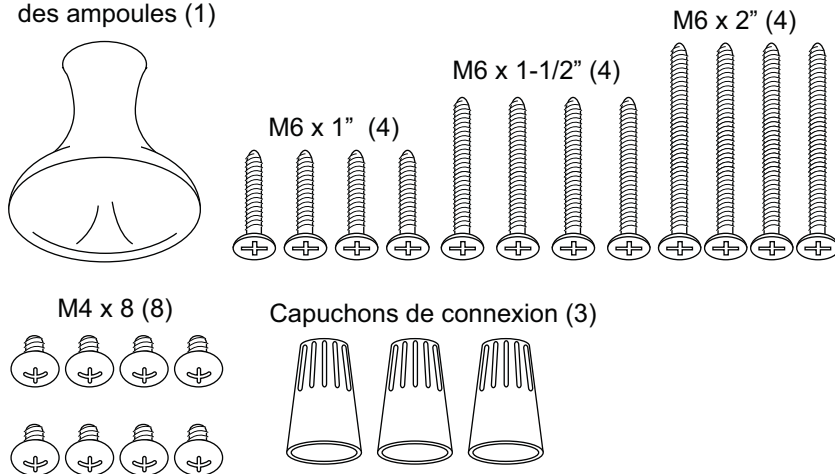
**MODÈLES :** AK7500BS, AK7536BS, AK7548BS

## PIÈCES FOURNIES

- 1 - Hotte
- 2 - Filtres défecteurs AK7500BS, 3 pour AK7536BS, 4 pour AK7548BS
- 2 - Ampoules halogènes 4 pour AK7548BS
- 1 - Collier de départ circulaire de 8" (pour conduit et ventilateur simple)
- 1 - Collier de départ rectangulaire (pour conduit horizontal avec ventilateur simple)
- 1 - Couvercle supérieur (pour conduit horizontal)
- 1 - Trousse de quincaillerie

## CONTENU DE LA TROUSSE DE QUINCAILLERIE

Ventouse pour enlever  
des ampoules (1)



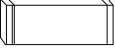


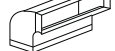







## PIÈCES NON FOURNIES











- Conduit et tous les outils d'installation
- Raccord de câble (si exigé par les codes en vigueur)
- Trousse de ventilateur double (PBD-1200A)
- Pièces de recouvrement de conduit
- Planche de bois à laquelle suspendre la hotte

AK7500BS - 27" x 1/2" x 4"

AK7536BS - 33" x 1/2" x 4"

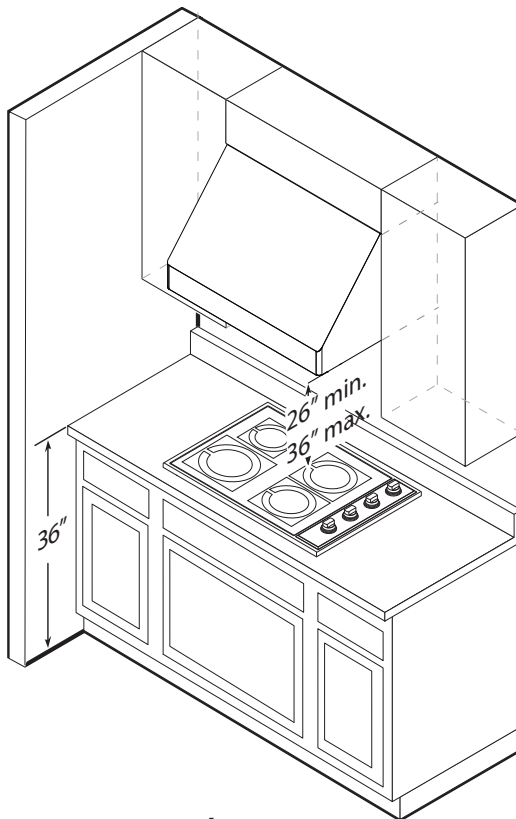
AK7548BS - 45" x 1/2" x 4"

Pièces de conduit		Longueur x Nombre utilisé	Total
	3-1/4" x 10" rect., droit	1 pi x ( ) =	pi
	6" circ., droit	1 pi x ( ) =	pi
	7" circ., droit	1 pi x ( ) =	pi
	3-1/4" x 10" rect., coude à 90°	15 pi x ( ) =	pi
	3-1/4" x 10" rect., coude à 45°	9 pi x ( ) =	pi
	3-1/4" x 10" rect., coude plat à 90°	24 pi x ( ) =	pi
	3-1/4" x 10" embout mural rect./registre	30 pi x ( ) =	pi
	3-1/4" x 10" rect. à circ. de 6"	5 pi x ( ) =	pi
	3-1/4" x 10" coude à 90° rect. à circ. de 6"	20 pi x ( ) =	pi
	6" circ., coude à 90°	15 pi x ( ) =	pi
	6" circ., coude à 45°	9 pi x ( ) =	pi
Sous-total - colonne 1 =			pi

Pièces de conduit		Longueur x Nombre utilisé	Total
	6" embout mural circ./registre	30 pi x ( ) =	pi
	6" chapeau de toiture circ.	30 pi x ( ) =	pi
	6" circ. à rect. de 3-1/4" x 10"	1 pi x ( ) =	pi
	6" circ. à rect. de 3-1/4" x 10", coude à 90°	16 pi x ( ) =	pi
	7" or 10" circ., coude à 90°	15 pi x ( ) =	pi
	7" or 10" circ., coude à 45°	9 pi x ( ) =	pi
	7" or 10" embout mural circ./registre	30 pi x ( ) =	pi
	7" or 10" circ., chapeau de toiture	30 pi x ( ) =	pi
	7" circ. à rect. de 3-1/4" x 10"	8 pi x ( ) =	pi
	7" circ. à rect. de 3-1/4" x 10", coude à 90°	23 pi x ( ) =	pi
Sous-total - colonne 2 =			pi
Sous-total - colonne 1 =			pi
Total du conduit =			pi

**Longueur maximale du conduit d'aération :**

Pour un mouvement d'air convenable, la longueur totale d'un conduit d'aération ne devrait pas compter plus que l'équivalent de 100 pieds.



### CONDUIT D'AÉRATION

Un conduit circulaire minimal de 8" ou rectangulaire de 3-1/4" x 10" doit être utilisé pour assurer un mouvement d'air maximale lors de l'utilisation d'un ventilateur interne simple. Lors de l'utilisation d'un ventilateur interne double, le conduit circulaire doit être de 10".

N'utilisez que des conduits en métal rigide. Les conduits souples pourraient réduire la circulation d'air jusqu'à 50 %.

Utilisez la feuille de calcul (page 5) pour obtenir la longueur totale du conduit lors de l'utilisation de coudes, de pièces de transition ou de couvercles.

Lorsqu'il possible de le faire, diminuez TOUJOURS le nombre de pièces et de changements de direction. Si un long tronçon de conduit est nécessaire, augmentez le diamètre du conduit.

Si des changements de direction ou des adaptateurs sont nécessaires, installez-les le plus loin possible de l'ouverture et le plus éloigné possible l'un de l'autre.

La hauteur de montage de la surface de la cuisinière au bas de la hotte ne devrait pas être inférieure à 26".

La hauteur de montage maximale ne devrait pas dépasser 36".

Il est important d'installer la hotte à la hauteur de montage adéquate. Les hottes installées trop basses pourraient être endommagées par la chaleur en plus de présenter des risques d'incendie plus élevés tandis que les hottes installées trop hautes seront difficiles à atteindre et verront leur efficacité et leur rendement réduits.

Si elles sont disponibles, consultez les exigences de hauteur d'espace libre requise par le fabricant de la cuisinière ainsi que la hauteur recommandée de montage de la hotte au-dessus de la surface de cuisson.

#### Conduit vertical :

8" circulaire minimum (ventilateur interne simple)  
10" circulaire minimum (ventilateur interne double)

#### Conduit horizontal :

3-1/4"x10" minimum (ventilateur interne simple)  
8" circulaire minimum (ventilateur interne simple)  
10" circulaire minimum (ventilateur interne double)

#### ENDOMMAGEMENT LORS DE LA LIVRAISON/ INSTALLATION :

- Veuillez vous assurer que toutes les pièces de l'appareil ne sont pas endommagées avant l'installation.
- Si l'appareil est endommagé durant la livraison, retournez l'appareil à l'endroit où vous l'avez acheté pour réparation ou remplacement.
- Si l'appareil est endommagé par le client, la réparation ou le remplacement est à la charge du client.
- Si l'appareil est endommagé par l'installateur (si autre que le client), le client et l'installateur doivent en venir à une entente pour la réparation ou le remplacement.

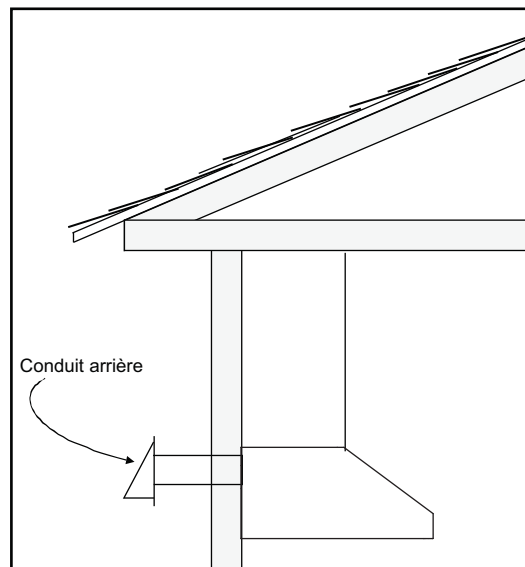
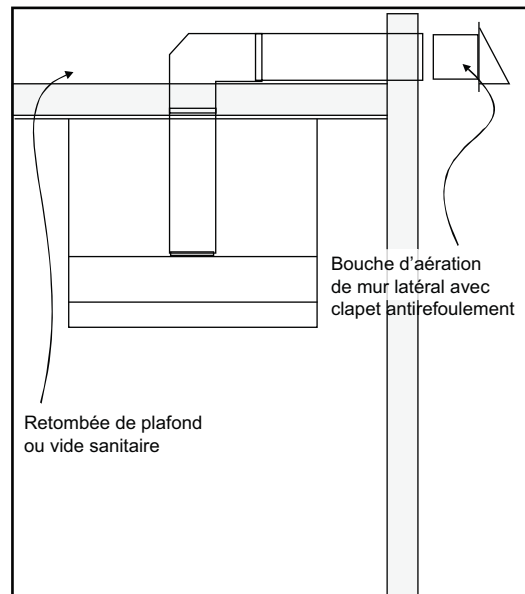
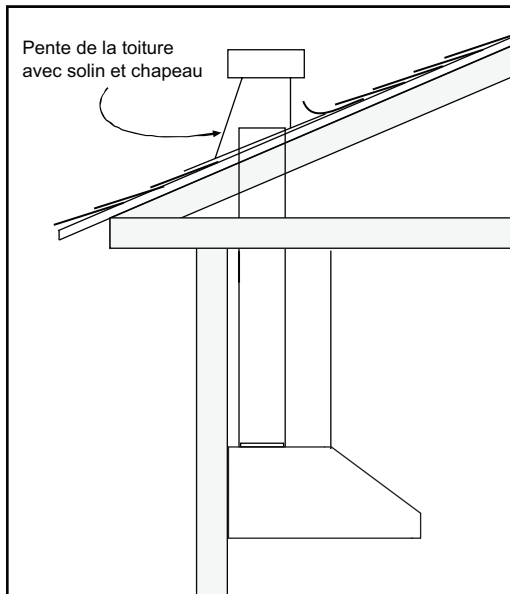
## AVERTISSEMENT DE RISQUE D'INCENDIE

N'évacuez ou ne terminez JAMAIS l'échappement du conduit dans les espaces entre les murs, les vides sanitaires, le plafond, le grenier, ou le garage. Tous les échappements doivent être dirigés à l'extérieur de la maison.

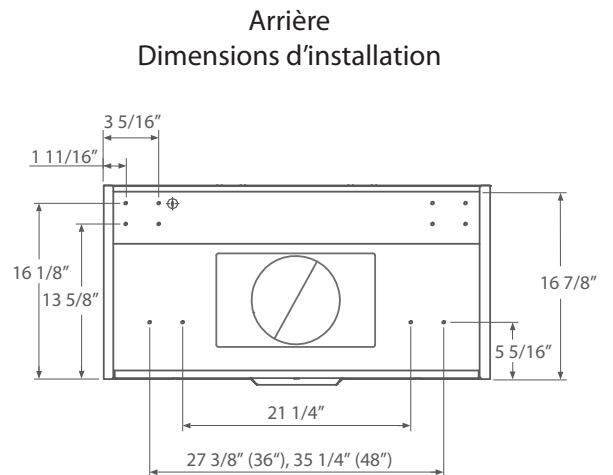
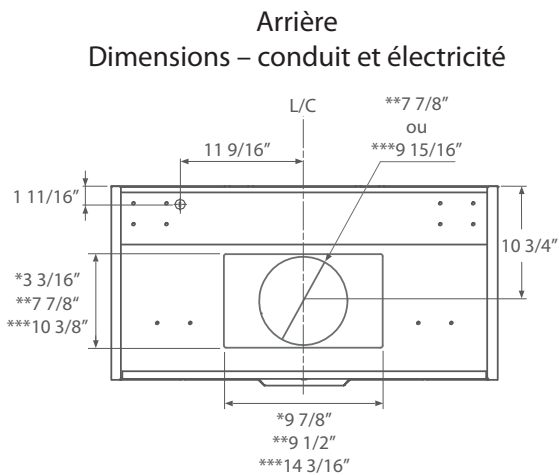
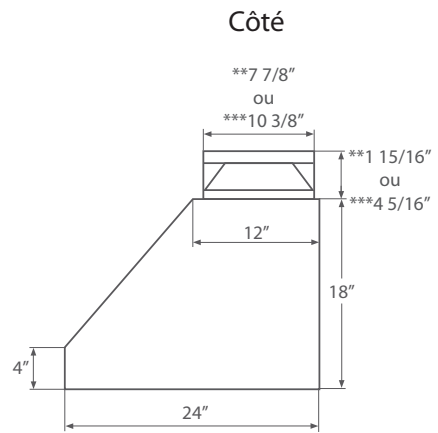
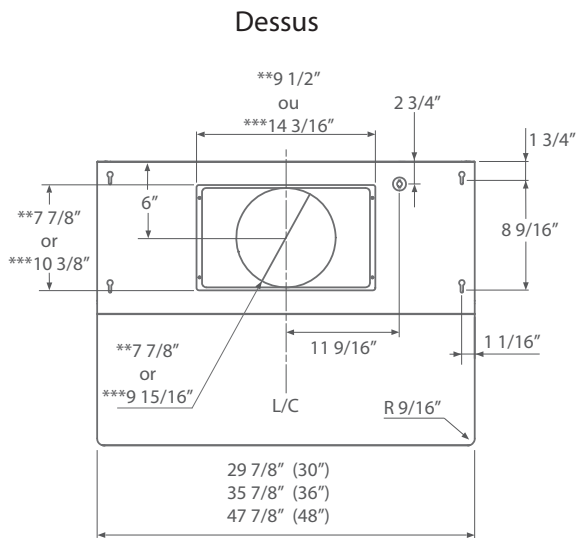
N'utilisez que des conduits en métal pour cloison simple.

Fixez toutes les pièces du conduit avec des vis à tôle et isolez tous les joints avec du ruban à conduit en toile ou du ruban réflecteur certifié.

### Exemples d'options pour le conduit d'aération



Installation – Spécifications



\* Dimensions pour le ventilateur simple avec conduit rectangulaire  
 \*\* Dimensions pour le ventilateur simple avec conduit circulaire  
 \*\*\* Dimensions du ventilateur double

## ÉLECTRICITÉ

### AVERTISSEMENT

Tous les travaux électriques doivent être réalisés par un électricien qualifié ou une personne avec l'expérience technique et le savoir-faire nécessaires.

Pour votre sécurité, enlevez le fusible ou éteignez le disjoncteur de circuit avant de commencer l'installation. N'utilisez pas de rallonge électrique ou d'adaptateur avec cet électroménager.

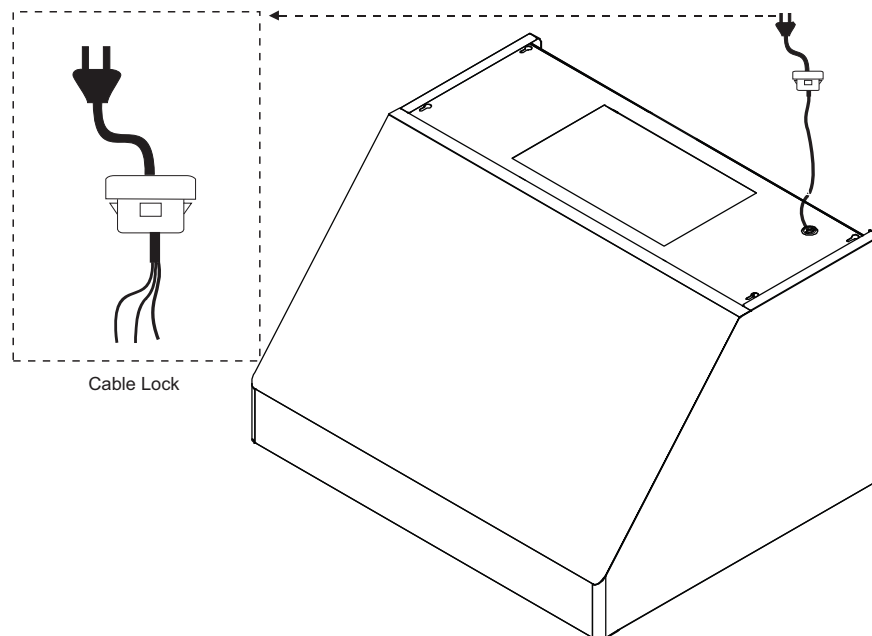
Suivez le code électrique national ou les codes et réglementations en vigueur.

#### Alimentation électrique :

Cet appareil requiert une alimentation électrique de 120V 60Hz et doit être connecté à un circuit terminal individuel dûment mis à la terre et protégé par un disjoncteur de circuit ou un fusible temporisé de 15 ou 20 ampères. Le câblage doit compter deux fils avec mise à la terre. Veuillez consulter le schéma de câblage étiqueté sur l'appareil.

#### Raccord de câble :

Les normes et réglementations locales peuvent également exiger l'utilisation d'un raccord de câble (non inclus). Informez-vous des exigences et des normes locales. Achetez et installez le connecteur approprié si nécessaire.



# Installation – Installation de la hotte

**⚠ ATTENTION : Compte tenu du poids et des dimensions de la hotte, au moins deux installateurs sont nécessaires.**

1. Choisissez le type d'installation de conduit désiré (vertical ou horizontal) et préparez la hotte. Consultez la page 11 pour une installation horizontale avec ventilateur simple, la page 13 pour une installation verticale avec ventilateur double ou la page 14 pour une installation horizontale avec ventilateur double.
2. Marquez la ligne centrale avec exactitude sur le mur.
3. Choisissez la hauteur d'installation désirée au-dessus de la surface de cuisson (26" min.). Mettez la hotte de niveau et tracez une ligne (ligne A) le long de la partie inférieure (FIG. 1).
4. Mettez la planche de bois de niveau et tracez une ligne (ligne B) à 16 7/8" de la ligne A (FIG. 1).
5. tracez une ligne centrale sur la planche de bois. Centrez et alignez le haut de la planche de bois avec la ligne B. Fixez la planche de bois à des montants à l'aide de quatre (4) vis à bois M6.

Dimensions de la planche de bois : (L x D x H)

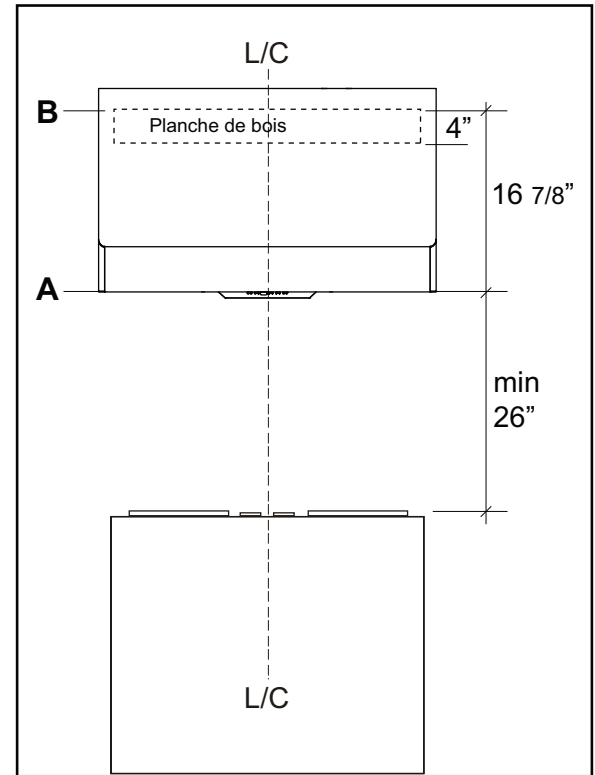
AK7500BS - 27" x 1/2" x 4"

AK7536BS - 33" x 1/2" x 4"

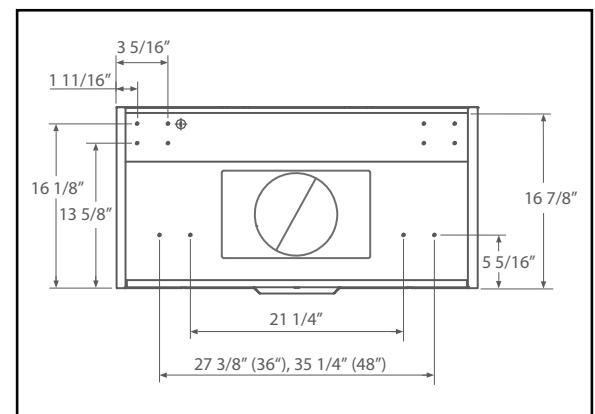
AK7548BS - 45" x 1/2" x 4"

6. Préparez les ouvertures pour le conduit dans l'armoire située au-dessus de la hotte ou dans le mur dans le cas d'une installation avec conduit horizontal. Consultez les spécifications de la page 8 pour connaître les dimensions.
7. Préparez le câblage électrique et pratiquez les ouvertures pour les composants électriques dans l'armoire située au-dessus de la hotte ou dans le mur dans le cas d'une installation avec conduit horizontal. Consultez les spécifications de la page 8 pour connaître les dimensions.
8. Installez la hotte à la hauteur de la planche de bois et fixez-la en place à l'aide de quatre (4) vis à bois M6.
9. Fixez-la également au mur à l'aide de deux (2) vis à bois M6, à travers les trous à vis situés dans la partie inférieure du bâti de la hotte. Consultez les dimensions de la FIG. 2.
10. Procédez à l'installation des composants électriques.
11. Installez le conduit et scellez-le avec du ruban à conduit certifié en aluminium.
12. Allumez la hotte et assurez-vous qu'il n'y a pas de fuites autour du ruban à conduit.
13. Installez les filtres déflecteurs.

**⚠ AVERTISSEMENT : Le câblage électrique doit être réalisé par une personne qualifiée en conformité avec tous les codes et toutes les normes en vigueur. Cette hotte doit être mise à la terre convenablement. Coupez l'alimentation électrique du panneau électrique avant de procéder au câblage.**



**FIG. 1**

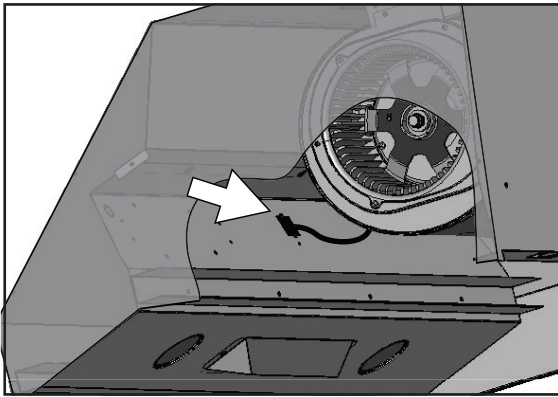


**FIG. 2**

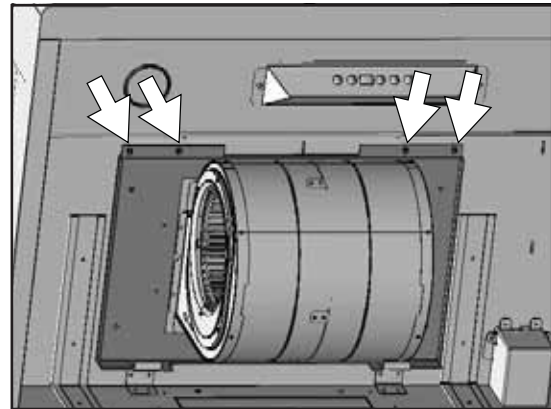


Cette hotte standard est munie d'une entrée pour conduit vertical circulaire de 8". Pour la convertir à un conduit horizontal circulaire de 8" ou rectangulaire 3-1/4" x 10", veuillez suivre les instructions ci-dessous.

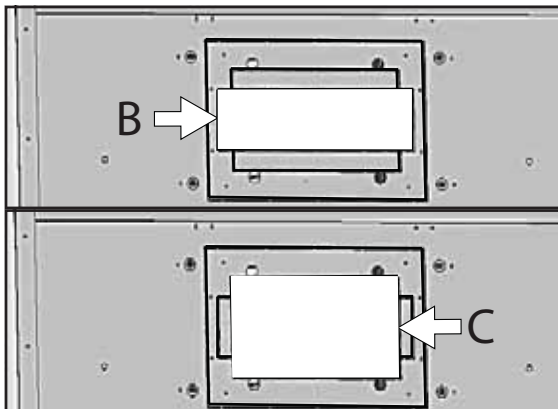
### CONVERSION D'UN CONDUIT VERTICAL À UN CONDUIT HORIZONTAL



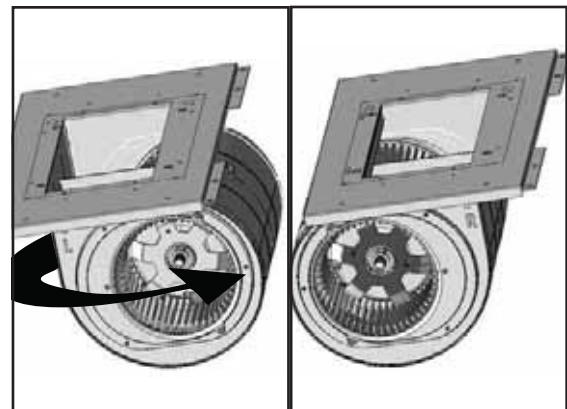
1. Débranchez la fiche du ventilateur.



2. Enlevez les quatre (4) vis de l'intérieur de la hotte qui retiennent la plaque du ventilateur à la partie supérieure du bâti. Retirez la plaque du ventilateur simple et la plaque du ventilateur simple.

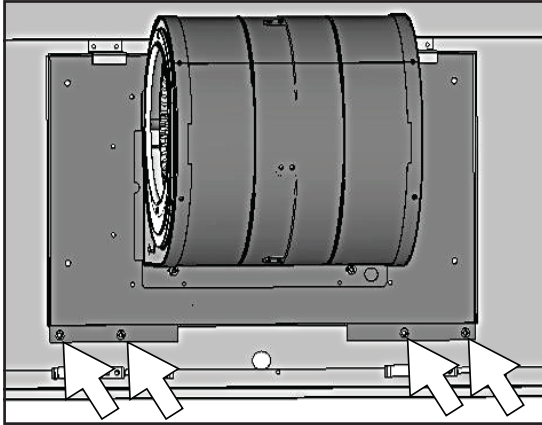


3. Enlevez la plaque défonçable arrière B pour installer un conduit rectangulaire arrière ou la plaque C pour installer un conduit circulaire arrière de 8".

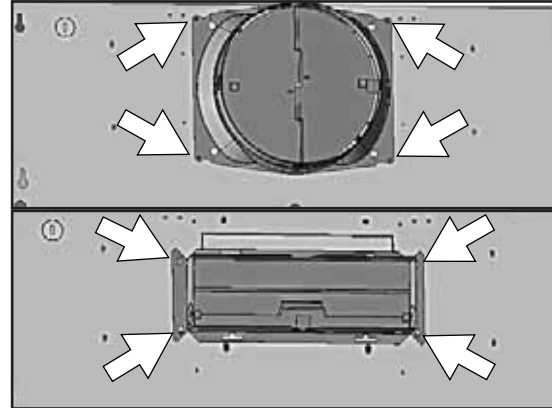


4. Enlevez les quatre (4) vis qui retiennent le ventilateur à la plaque du ventilateur. Tournez le ventilateur de 180 degrés et fixez-le de nouveau à la plaque du ventilateur.

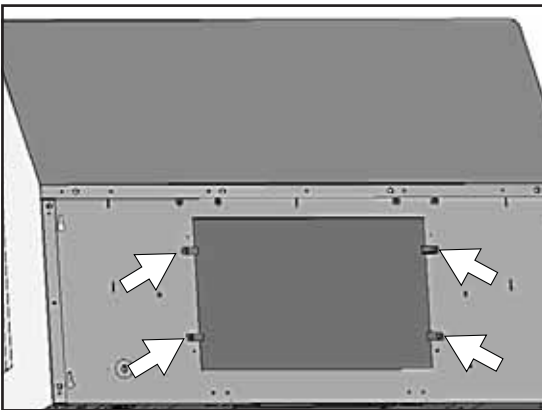
# Installation – Conversion horizontale



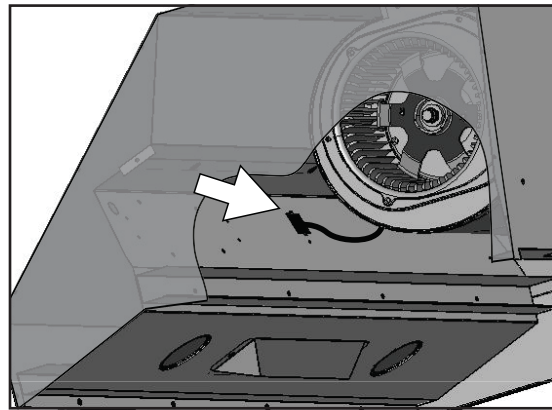
5. Placez le ventilateur simple et la plaque du ventilateur simple comme illustré. Assurez-vous de réinsérer la plaque du ventilateur simple dans les languettes situées à l'arrière de la hotte. Fixez la plaque du ventilateur simple à l'arrière de la hotte à l'aide des quatre (4) vis préalablement retirées à l'étape 2.



6. Fixez le collier de conduit circulaire de 8" ou rectangulaire de 3-1/4"x10" à l'arrière du bâti de la hotte à l'aide de quatre (4) vis M3.5 x 8.

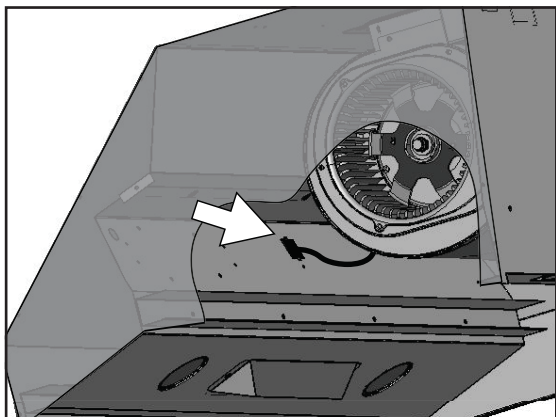


7. Fixez le couvercle supérieur sur le dessus du bâti de la hotte à l'aide de quatre (4) vis 3/16 x 3/8.

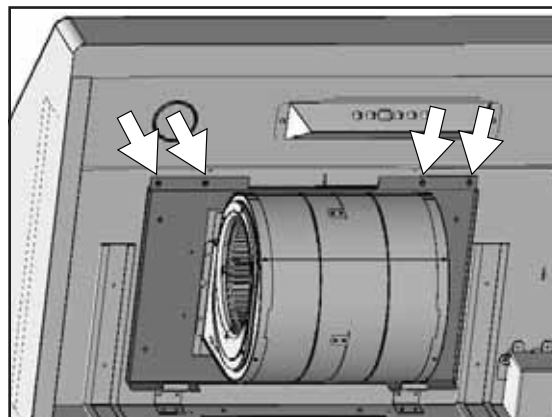


8. Branchez la fiche du ventilateur.

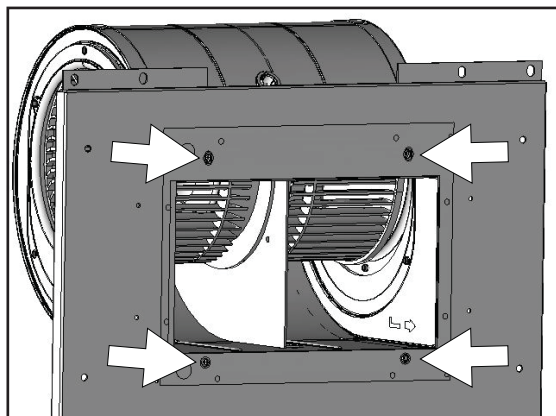
Cette hotte standard est munie d'une entrée pour conduit vertical avec un ventilateur simple. Pour la convertir d'un conduit vertical à ventilateur simple à un conduit vertical à ventilateur double, veuillez suivre les instructions ci-dessous.



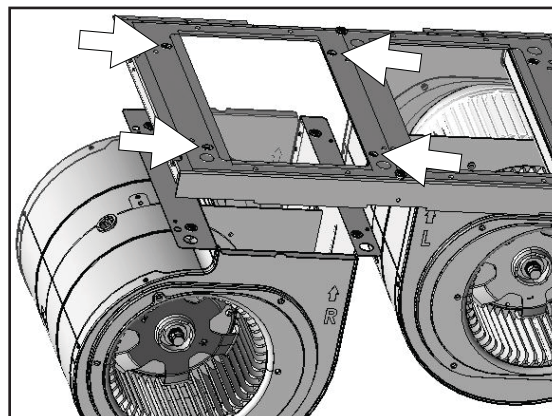
1. Débranchez la fiche du ventilateur.



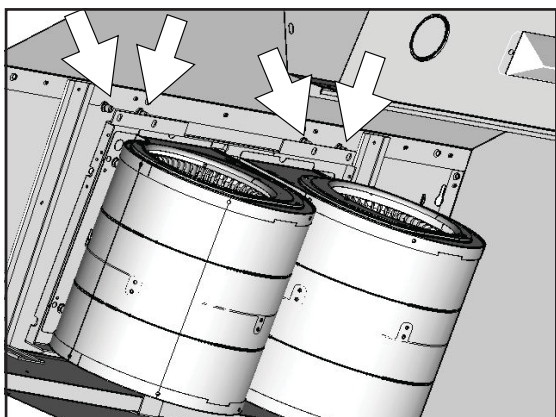
2. Enlevez les quatre (4) vis de l'intérieur de la hotte qui retiennent la plaque du ventilateur à la partie supérieure du bâti. Retirez la plaque du ventilateur simple et la plaque du ventilateur double.



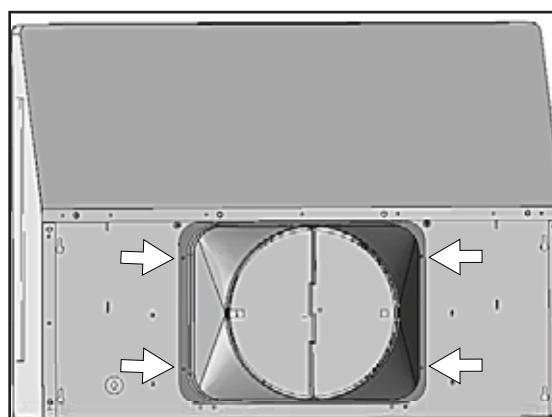
3. Enlevez les quatre (4) vis qui retiennent le ventilateur simple à la plaque du ventilateur simple.



4. Fixez le ventilateur simple à la plaque du ventilateur double à l'aide des quatre (4) vis enlevées à l'étape 3.

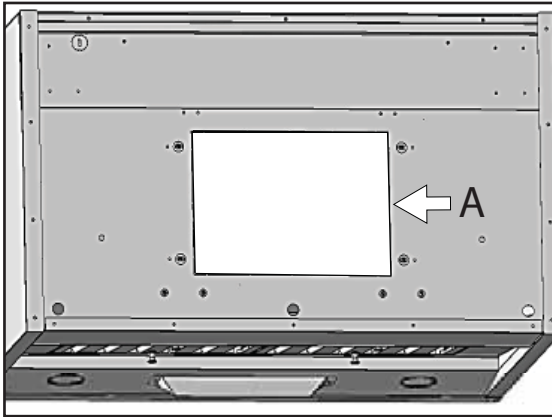


5. Placez le ventilateur double à l'intérieur du bâti de la hotte, comme illustré. Assurez-vous de réinsérer la plaque du ventilateur double dans les languettes de la hotte. Fixez le ventilateur double en place à l'aide des quatre (4) vis préalablement retirées à l'étape 2.

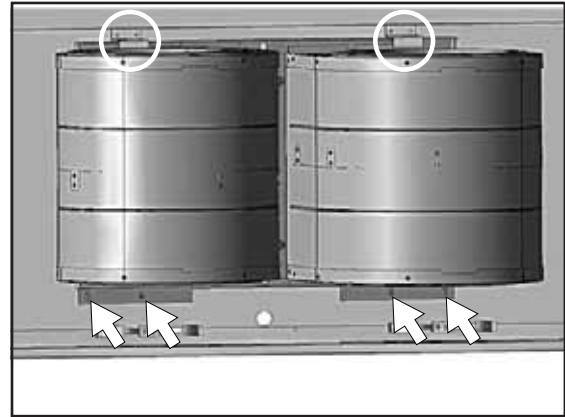


6. Fixez le collier de conduit circulaire de 10" à la partie supérieure du bâti de la hotte à l'aide de quatre (4) vis M4 x 8. Branchez le câble d'extension du ventilateur au nouveau ventilateur et branchez les fiches des ventilateurs dans les prises femelles derrière le panneau d'interrupteurs.

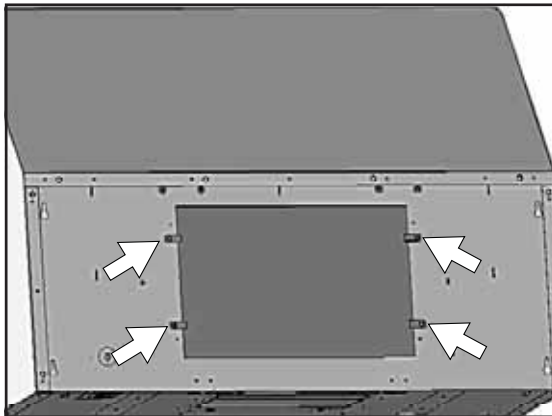
Suivez les étapes 1 à 4 de la page 13, puis continuez l'installation d'un conduit horizontal avec ventilateur PBD-1200A en suivant les étapes ci-dessous.



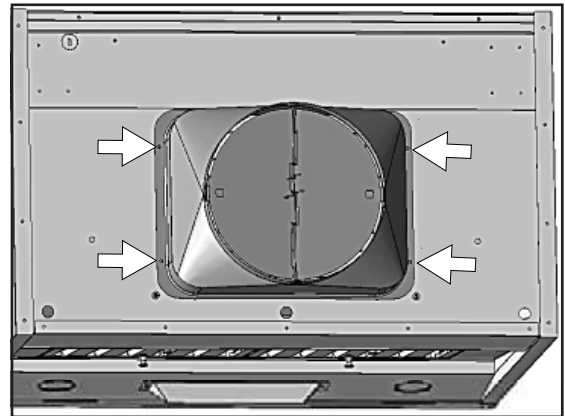
5. Enlevez la plaque défonçable A pour les installations horizontales avec ventilateur double.



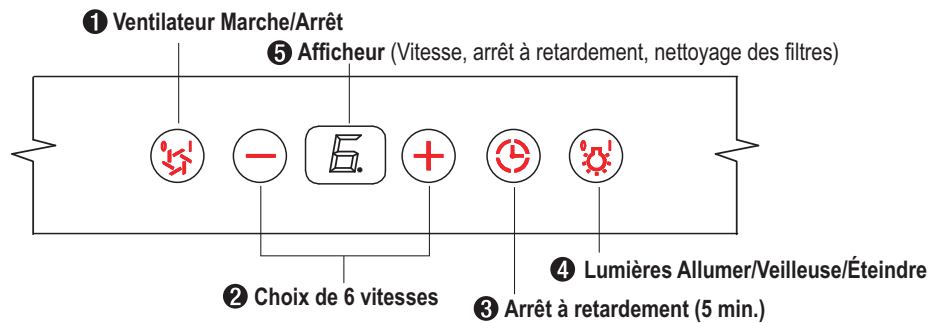
6. Placez le ventilateur double à l'intérieur du bâti de la hotte. Fixez-le en place à l'aide des vis enlevées à l'étape 2.



7. Fixez le couvercle sur la partie supérieure du bâti de la hotte à l'aide de quatre (4) vis 3/16 x 3/8.



8. Fixez le collier circulaire de 10" à l'arrière du bâti de la hotte à l'aide de quatre (4) vis M4 x 8. Branchez le câble d'extension du ventilateur au nouveau ventilateur et branchez les fiches des ventilateurs dans les prises femelles derrière le panneau d'interrupteurs.



### 1. Ventilateur : Marche/Arrêt

Appuyez sur pour allumer ou éteindre le ventilateur. Lorsque vous l'allumez, le ventilateur se met en marche à la vitesse 1.

#### Vérification de la TCDA

- La technologie de contrôle du débit d'air permet à l'installateur d'ajuster la quantité maximale d'évacuation de  $\text{pi}^3/\text{min}$  du ventilateur afin de respecter les codes et règlements en vigueur.

- Pour vérifier la quantité maximale d'évacuation de  $\text{pi}^3/\text{min}$  du ventilateur :

- Lorsque la hotte est éteinte, appuyez sur la touche et maintenez-la enfoncée pendant deux secondes. Si cinq icônes de ventilateur s'illuminent, le réglage est ajusté au maximum. Si quatre icônes s'illuminent, le maximum est de  $390 \text{ pi}^3/\text{min}$ . Si trois icônes s'illuminent, le maximum est de  $290 \text{ pi}^3/\text{min}$ .

### 2. Choix de vitesse

Choisissez l'une des 6 vitesses en appuyant sur pour diminuer la vitesse et sur pour l'augmenter. L'afficheur indique la vitesse choisie.

#### Choix de vitesse avec TCDA activée

- Lorsque la TCDA est activée, le nombre de vitesses du ventilateur est réduit comme suit :
  - $390 \text{ pi}^3/\text{min}$  = 4 vitesses maximum
  - $290 \text{ pi}^3/\text{min}$  = 3 vitesses maximum

### 3. Arrêt à retardement

Cette fonction est utilisée pour programmer l'arrêt automatique du ventilateur et des lumières 5 minutes après son activation.

Lorsque vous appuyez une fois sur , un point clignote dans la partie inférieure droite de l'afficheur pour vous confirmer que la fonction a été activée. La hotte s'éteint complètement après 5 minutes.

### 4. Lumières Allumer/Veilleuse/Éteindre


Appuyez une fois sur pour allumer les lumières, une deuxième fois pour les mettre en veilleuse et une troisième fois pour les éteindre.

### 5. Afficheur




L'écran de l'afficheur indique la vitesse de ventilateur choisie ainsi que certaines fonctions, comme le rappel de nettoyage des filtres déflecteurs, l'arrêt automatique et la fonction de purification d'air.

**Indicateur de changement des filtres à charbon (si installés)**

Lorsque la hotte est installée en mode de récupération d'air, elle est munie d'un jeu de filtres à charbon conçus pour purifier la fumée de cuisson et remettre l'air en circulation dans la maison. Ces filtres à charbon doivent être remplacés toutes les 120 heures d'utilisation. Ne nettoyez jamais des filtres à charbon et ne les mettez jamais au lave-vaisselle.

Vous devez réinitialiser l'indicateur de changement des filtres à charbon du microprocesseur. Lorsqu'il est en cours d'utilisation, le microprocesseur compte le temps d'utilisation et indique à l'aide d'un icône  qui clignote le moment où les filtres doivent être remplacés.


**Ajustement de l'indicateur de changement des filtres**

Lorsque la hotte est éteinte, appuyez sur  pendant environ 5 secondes. L'afficheur passe de  (mode d'évacuation) à  (mode de recirculation), ce qui indique que la minuterie est activée et que des filtres à charbon sont en cours d'utilisation.

**Mode d'ajustement**

Appuyez 5 sec. Afficheur passe de < - > à < C >




**Indicateur de remplacement des filtres**

Lorsque l'icône  commence à clignoter, vous devez remplacer les filtres à charbon.

**Changement des filtres**

L'icône < C > clignote

**Fonction de réinitialisation**

Une fois que les filtres ont été remplacés, appuyez la touche  pendant que la hotte est éteinte. L'afficheur apparaît. Tenez-la enfoncée pendant environ 5 secondes, jusqu'à ce que l'icône  disparaisse . L'indicateur de changement des filtres est maintenant réinitialisé et un nouveau cycle de 120 heures commence.


**Pour réinitialiser**

Appuyez 5 sec. Afficheur passe de < C > à < >









### Indicateur de nettoyage des filtres déflecteurs

Un ensemble de filtres déflecteurs est installé par le fabricant. Ces filtres déflecteurs ont pour fonction de filtrer les résidus de cuisson. Ils ne nécessitent aucun remplacement sur une base régulière, mais ils doivent être gardés propres. La fonction de rappel de nettoyage des filtres du microprocesseur indique automatiquement, à l'aide de l'icône clignotante , quand les filtres doivent être nettoyés (toutes les 30 heures d'utilisation). Les filtres peuvent être nettoyés à la main, avec du détergent non abrasif, ou au lave-vaisselle. Pour les filtres très sales, il est recommandé de les faire tremper dans un détergent pour graisse avant de procéder au nettoyage normal.

### Indicateur de nettoyage des filtres déflecteurs

Lorsque l'icône  se met à clignoter sur l'afficheur, les filtres déflecteurs doivent être nettoyés, car 30 heures d'utilisation se sont écoulées.

Une fois que les filtres ont été nettoyés et réinstallés, réinitialisez l'indicateur de nettoyage des filtres (avec la hotte hors tension). Lorsque la hotte est éteinte,  appuyez environ 5 secondes sur la touche  jusqu'à ce que l'icône  disparaisse. La fonction de rappel de nettoyage des filtres est maintenant réinitialisée et un nouveau cycle de 30 heures commence.

#### Nettoyage des filtres

L'icône <F> clignote



#### Pour réinitialiser

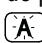
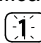

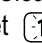
Appuyez 5 secondes  Afficheur passe de <F> à <>



### Fonction de purification d'air

La fonction de purification d'air fait en sorte que le ventilateur s'allume à vitesse basse toutes les quatre heures pour évacuer l'air stagnant de la cuisine. Cette fonction, désactivée par défaut, doit être activée par l'utilisateur.



### Indicateur de la fonction de purification d'air

Lorsque la fonction de purification d'air (Clean Air) est activée, les icônes , ,  et  apparaissent à l'écran de l'afficheur.

Après dix minutes de fonctionnement, le ventilateur s'éteint et le chronomètre de quatre heures est réinitialisé.



Si la vitesse du ventilateur est changée lors de l'utilisation de la fonction d'air pur, le cycle est interrompu et la minuterie repart ensuite à zéro.

#### Pour activer la fonction

Appuyez 3 secondes  et  L'icône <A> clignote



#### Pour désactiver la fonction

Appuyez 3 secondes  et  L'icône de l'afficheur passe de <F> à <>

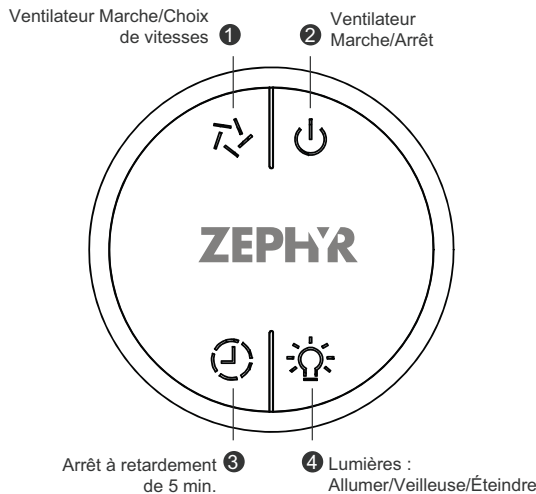


**Mise en garde de la FCC :** Dans le but d'assurer une conformité continue, toute modification apportée sans l'approbation expresse du parti responsable de la conformité pourrait annuler l'autorisation de l'utilisateur de faire fonctionner cet appareil. (Exemple – N'utilisez que des câbles d'interface armés lors du branchement à un ordinateur ou à un périphérique.) Cet appareil respecte l'article 15 des réglementations FCC. Le fonctionnement doit respecter les deux réglementations suivantes : (1) cet appareil ne doit pas causer de brouillage nuisible et (2) cet appareil doit pouvoir recevoir tout type d'interférence, dont des interférences qui pourraient causer un fonctionnement involontaire.

**SYNCHRONISATION :** Pour créer un lien unique entre l'appareil et la commande à distance, veuillez suivre les instructions suivantes :

1. Éteignez l'appareil et appuyez sur le bouton « Lights » de l'appareil jusqu'à ce que la lettre « F » apparaisse à l'écran de l'afficheur.
2. Appuyez sur le bouton « Lights » de la commande à distance. Les lumières de l'appareil s'allumeront et la synchronisation sera assurée.

### FONCTIONS DE LA COMMANDE À DISTANCE :



#### ① Ventilateur Allumer/Choix de vitesses

Appuyez sur pour mettre le ventilateur en marche et choisir l'une des six vitesses de fonctionnement.

#### ② Ventilateur Marche/Arrêt

Appuyez sur pour allumer le ventilateur à la vitesse à laquelle il fonctionnait lorsque vous l'avez éteint. Appuyez de nouveau sur et toutes les fonctions de l'appareil s'éteignent, y compris les lumières.

#### ③ Arrêt à retardement

Appuyez sur pour activer la fonction d'arrêt à retardement du ventilateur et des lumières. Un point clignotera dans la partie inférieure droite de l'afficheur pour vous confirmer que la fonction a été activée. La hotte passera à la vitesse 1 et s'éteindra après 5 minutes.

#### ④ Lumières : Allumer/Veilleuse/Éteindre

Appuyez une fois sur le bouton pour allumer les lumières, une deuxième fois pour les mettre en veilleuse et une troisième fois pour les éteindre.

### FONCTIONS DE LA COMMANDE À DISTANCE :

La commande à distance radioélectrique est munie d'un aimant pour un entreposage facile. La commande peut être mise sur n'importe quelle surface magnétique, comme un réfrigérateur ou le support à commande Zephyr (FIG. 1). Le support à commande peut s'installer à une prise électrique standard pour un rechargement facile. Note : Le support à commande ne recharge pas la commande à distance RF.

La distance maximale de l'appareil à laquelle la commande fonctionne est de 15 pieds.

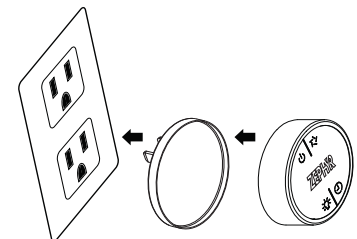


FIG. 1

### ENTRETIEN DE LA COMMANDE À DISTANCE :

Nettoyez la commande à distance avec des détergents non abrasifs.

#### Suivez les instructions ci-dessous pour remplacer la pile.

Enlevez le couvercle du compartiment à pile (A) à l'aide d'un tournevis plat pour avoir accès au compartiment de la pile (FIG. 2).

Enlevez la pile et remplacez-la par une pile **A23 12V**. L'extrémité négative devrait faire face au ressort à l'intérieur de la commande à distance.

Remettez le couvercle du compartiment en place et recyclez la vieille pile.

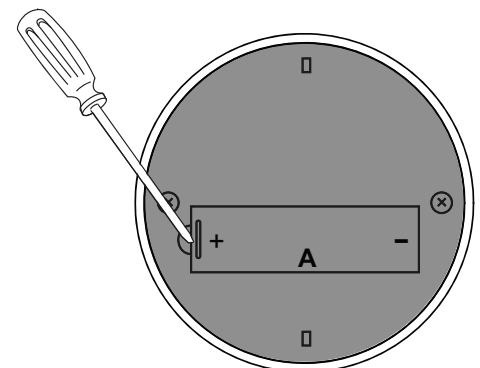


FIG. 2

**LA COMMANDE À DISTANCE RF EST UN ACCESSOIRE OPTIONNEL QUI N'EST PAS INCLUS AVEC LA HOTTE ET DOIT ÊTRE ACHETÉ SÉPARÉMENT.**



## ENTRETIEN DES SURFACES :

Nettoyez régulièrement les surfaces de la hotte avec de l'eau savonneuse chaude et un chiffon de coton propre. N'utilisez pas de détergent abrasif ou corrosif, de laines d'acier ou de tampons à récurer; ils égratigneront et endommageront les surfaces. N'utilisez pas de produits à blanchir au chlore ou d'agents nettoyants « orange ».

Pour les taches plus tenaces, utilisez du produit dégraissant liquide.

Après le nettoyage, vous pouvez polir les surfaces avec des produits de polissage à acier inoxydable non abrasifs pour redonner de l'éclat et du lustre aux surfaces. Frottez toujours doucement, avec un chiffon de coton propre, et dans le sens du grain.

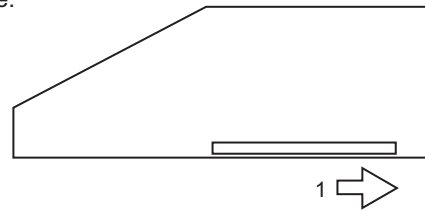
### Nettoyage des filtres déflecteurs en inox

Les filtres déflecteurs en inox installés par le fabricant ont pour fonction de filtrer les résidus et la graisse de cuisson. Bien qu'ils ne nécessitent aucun remplacement sur une base régulière, les filtres doivent être nettoyés tous les 30 jours ou plus souvent, selon vos habitudes culinaires.

Vous pouvez laver les filtres au lave-vaisselle avec de l'eau tiède ou les faire tremper dans de l'eau chaude savonneuse. Séchez les filtres et réinstallez-les avant d'utiliser la hotte.

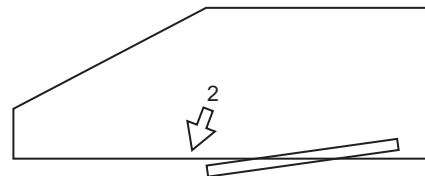
### Retrait des filtres déflecteurs :

1. Poussez le filtre vers l'arrière de la hotte à l'aide des poignées.
2. Faites pivoter l'avant du filtre vers le bas.
3. Enlevez le filtre en le tirant vers vous.



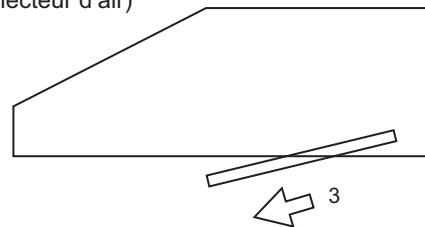
### Remplacement des filtres déflecteurs :

Modèle de hotte :	No de pièce	Qtée à commander
AK7500BS	50210020	2
AK7536BS	50210020	3
AK7548BS	50210021	4



### Trousse de recirculation (comprend des filtres au charbon et un déflecteur d'air)

Modèle de hotte :	No de pièce	Qtée à commander
AK7500BS	ZRC-7000B	1
AK7536BS	ZRC-7036B	1



Des filtres à charbon de remplacement sont également disponibles.

Numéro de pièce : Z0F-C002.

Consultez le manuel fourni avec la trousse de recirculation pour obtenir de plus amples renseignements.

## REPLACEMENT DES AMPOULES

**ATTENTION : Les ampoules deviennent extrêmement chaudes lorsqu'allumées.**

**Veillez NE PAS les toucher avant de les avoir éteintes et laissées refroidir. Le contact avec les ampoules chaudes pourrait causer de sérieuses brûlures.**

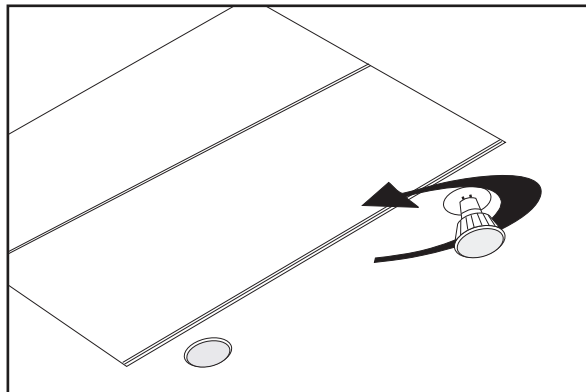
Assurez-vous que l'alimentation électrique est coupée et que les ampoules ne sont pas chaudes.

Enlevez les ampoules en les dévissant dans le sens contraire des aiguilles d'une montre. Note : les ampoules ne se dévissent pas; après une rotation de 60 degrés, elles s'arrêtent et tombent de la douille.

Lorsqu'il est difficile de retirer les ampoules après un usage prolongé, fixez une ventouse équivalant approximativement au diamètre de l'ampoule ou utilisez des gants en latex et tournez.

Les ampoules de remplacement sont disponibles dans les magasins spécialisés en éclairage. Procurez-vous des ampoules halogènes MR-16 (GU-10) de 35 W.

Consultez la page 25 du présent guide pour obtenir les numéros de pièces Zephyr.



## TROUBLESHOOTING PROCEDURES FOR TEMPEST II

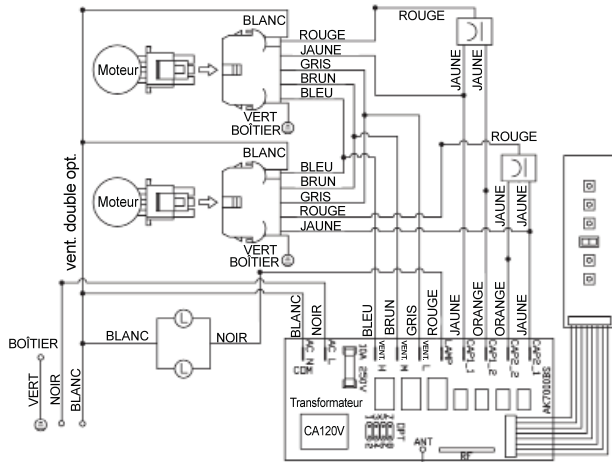
Problème	Cause	Solution
Après l'installation, l'appareil ne fonctionne pas.	1. Le bloc d'alimentation n'est pas allumé	1. Assurez-vous que l'alimentation du disjoncteur et de l'appareil est allumée
	2. La ligne électrique et le raccord de câble ne sont pas correctement branchés	2. Vérifiez que le branchement de l'appareil a été fait correctement
	3. Les fils électriques du tableau de contrôle et de commande sont débranchés	3. Assurez-vous que les fils électriques entre les tableaux de contrôle et de commande sont branchés convenablement
	4. Les câbles du tableau de contrôle sont desserrés.	4. Assurez-vous que les câbles du tableau de contrôle sont branchés adéquatement.
	5. Tableau de contrôle/commande défectueux	5. Remplacez le tableau de contrôle/commande
Les lumières fonctionnent, mais le ventilateur ne tourne pas.	1. Le câble du ventilateur n'est pas branché.	1. Assurez-vous que le câble du ventilateur est branché dans le connecteur Molex.
	2. Le ventilateur est défectueux, possiblement bloqué.	2. Remplacez le ventilateur.
	3. Le système de protection thermique détecte que le ventilateur est trop chaud pour fonctionner et l'éteint.	3. Le ventilateur fonctionnera normalement lorsque le système de protection thermique aura refroidi
	4. Le condensateur est endommagé	4. Remplacez le condensateur
L'appareil vibre	1. Le ventilateur n'est pas bien fixé en place	1. Fixez bien le ventilateur en place.
	2. Damaged blower wheel.	2. Remplacez le ventilateur.
	3. The hood is not secured in place.	3. Vérifiez l'installation de la hotte.
Le ventilateur fonctionne, mais pas les lumières.	1. La prise de l'ampoule est débranchée.	1. Branchez la prise de l'ampoule.
	2. L'ampoule halogène est défectueuse	2. Remplacez l'ampoule halogène
	3. L'ampoule est desserrée	3. Serrez l'ampoule et assurez-vous qu'elle est bien en place
La hotte ne fonctionne pas bien.	1. La hotte est possiblement installée trop haut par rapport à la cuisinière	1. Ajustez la distance entre la surface de la cuisinière et la base de la hotte entre 26" et 36"
	2. Du vent provenant d'une fenêtre ou d'une porte ouverte avoisinante nuit à la ventilation	2. Fermez toutes les portes et fenêtres pour éliminer les courants d'air
	3. L'ouverture du conduit ou le conduit lui-même est bloqué	3. Enlevez tout ce qui bloque l'ouverture ou le conduit d'aération
	4. L'ouverture du conduit est contre le vent	4. Ajustez l'orientation de l'ouverture du conduit
	5. Mauvaises dimensions de conduit d'aération	5. Remplacez le conduit par un conduit adéquat.
Le filtre métallique vibre.	1. Le filtre métallique est desserré	1. Ajustez ou remplacez le filtre métallique
	2. Le ressort du filtre est brisé.	2. Remplacez le ressort.
Le ventilateur s'allume seul	1. La fonction de purification d'air est active et le ventilateur démarre toutes les quatre heures.	1. Désactivez la fonction de purification d'air en suivant les instructions de la page 17.

# Schéma de câblage

UTILISEZ SEULEMENT DES AMPOULES HALOGÈNES MR16, GU10, 35W MAX.

AK7500BS, AK7536BS	VOLTS	HZ	A. MAX.
	120	60	Moteur simple 4 Moteur double 7.4

SCHÉMA DE CIRCUITS

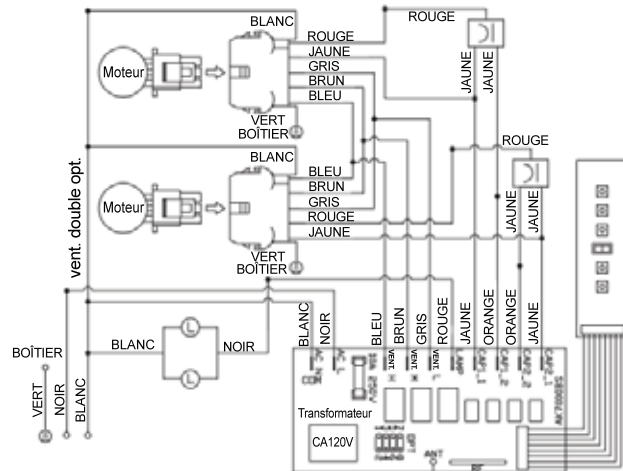


REMARQUES : CONDENSATEUR 11+11uF 250VCA 2PCS ADAPTÉ À CA120V 60Hz

UTILISEZ SEULEMENT DES AMPOULES HALOGÈNES MR16, GU10, 35W MAX.

AK7548BS	VOLTS	HZ	A. MAX.
	120	60	Moteur simple 4 Moteur double 7.4

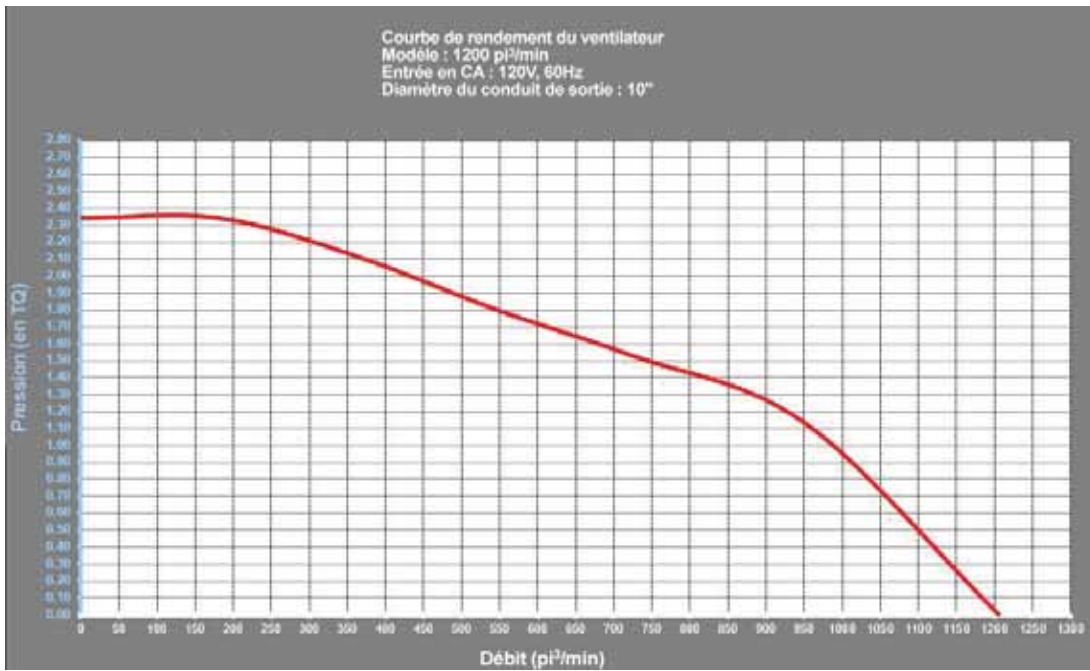
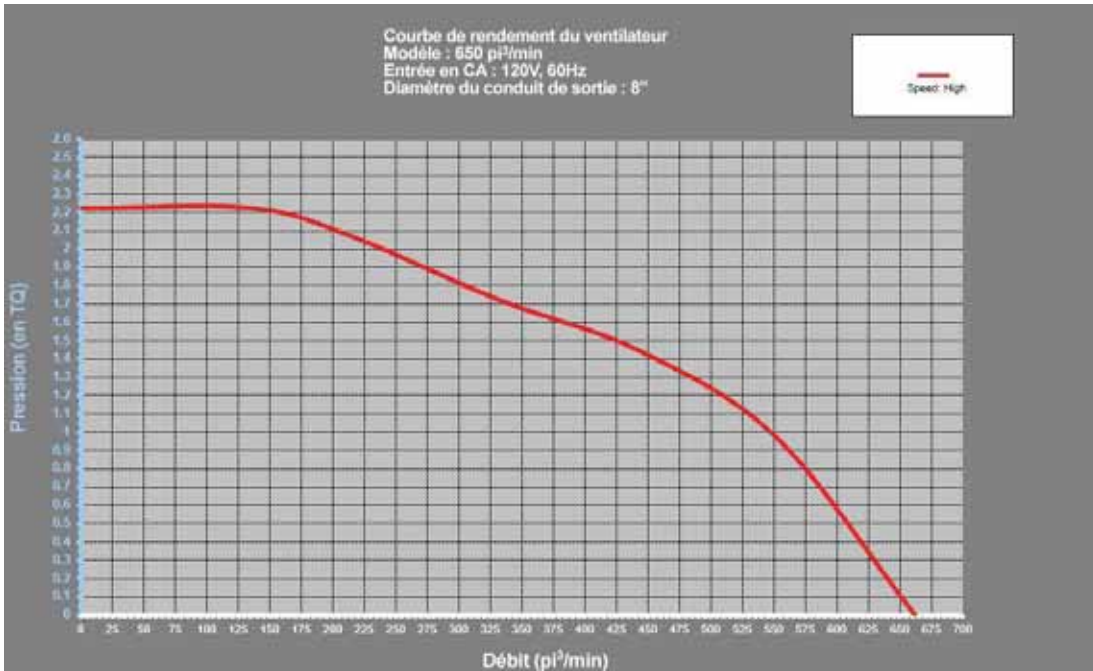
SCHÉMA DE CIRCUITS



REMARQUES : CONDENSATEUR 11+11uF 250VCA 2PCS ADAPTÉ À CA120V 60Hz

TCDA 390 pi<sup>3</sup>/min — Max. du ventilateur : 365W à 3,1 A

TCDA 290 pi<sup>3</sup>/min — Max. du ventilateur : 290W à 2,4 A



# Diagrammes des courbes caractéristiques des ventilateurs

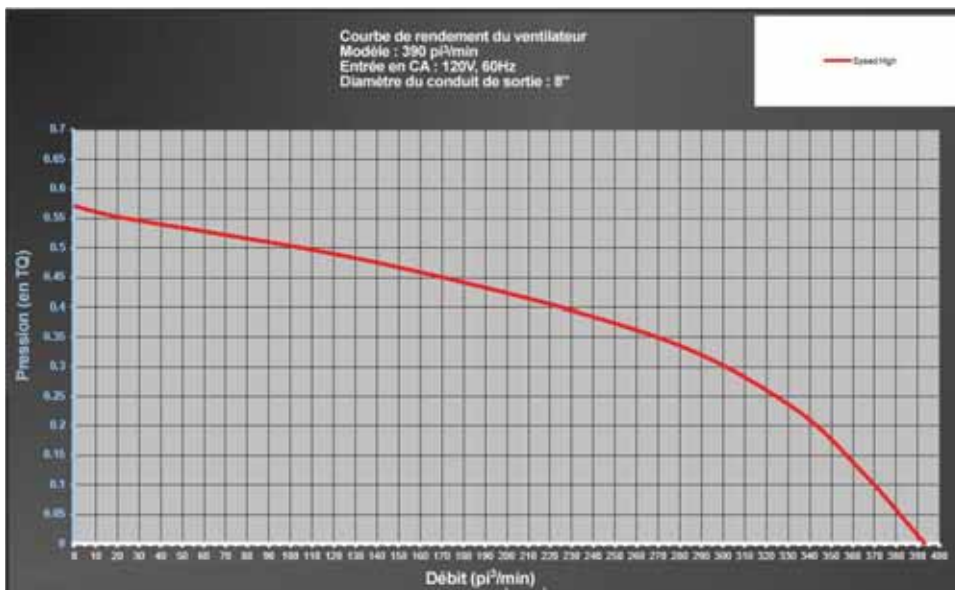
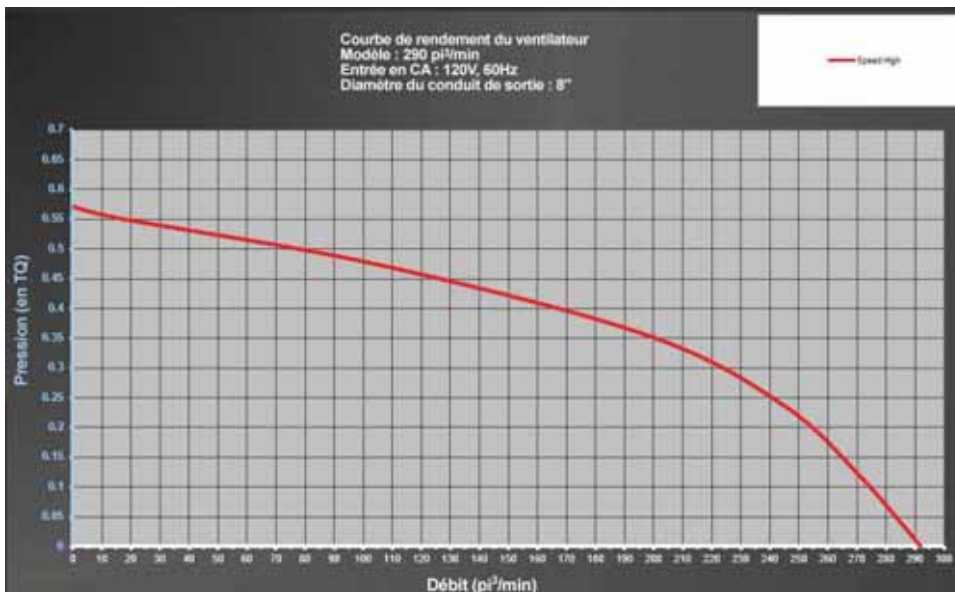
# Diagrammes des courbes caractéristiques des ventilateurs

## Technologie de contrôle du débit d'air (TCDA)

Certains codes et règlements limitent la quantité maximale de  $\text{pi}^3/\text{min}$  qu'une hotte peut extraire. La TCDA permet de contrôler la quantité maximale de  $\text{pi}^3/\text{min}$  qu'évacuent un éventail de hottes Zephyr, éliminant la nécessité d'acheter un dispositif d'air d'appoint dispendieux. La TCDA permet à l'installateur d'ajuster facilement la vitesse maximale du ventilateur à l'un des niveaux de  $\text{pi}^3/\text{min}$  les plus fréquemment utilisés : 390  $\text{pi}^3/\text{min}$  ou 290  $\text{pi}^3/\text{min}$ . Il est possible que l'utilisation de la TCDA ne soit pas requise pour votre installation. Veuillez vérifier les codes en vigueur dans votre région pour connaître les restrictions en matière de pieds cubes par minute.

**Par défaut, le nombre maximal de  $\text{pi}^3/\text{min}$  du ventilateur est de 650.**

Pour vérifier si votre installateur a activé la TCDA, appuyez sur la touche de mise en marche et tenez-la enfoncée pendant trois secondes lorsque la hotte est éteinte. Si cinq indicateurs DEL s'allument, la hotte est réglée pour évacuer le maximum de  $\text{pi}^3/\text{min}$  par défaut; si quatre indicateurs DEL s'allument, la hotte est réglée pour évacuer un maximum de 390  $\text{pi}^3/\text{min}$ ; si trois indicateurs DEL s'allument, la hotte est réglée pour évacuer un maximum de 290  $\text{pi}^3/\text{min}$ . Si la TCDA est activée, le nombre de vitesses du ventilateur est réduit, comme suit : 390  $\text{pi}^3/\text{min}$  = 3 vitesses max.; 290  $\text{pi}^3/\text{min}$  = 2 vitesses max. Une étiquette en aluminium devrait également se trouver à l'intérieur du pavillon de la hotte, près du schéma de câblage indiquant le nombre de  $\text{pi}^3/\text{min}$  que peut évacuer le ventilateur.



<b>DESCRIPTION</b>	<b>PART #</b>
<b>Pièces de remplacement</b>	
Ampoule MR16 (GU10) 35W (unité)	Z0B-0023
Filtre défecteur (30" et 36") (unité)	50210020
Filtre défecteur (48") (unité)	50210021
<b>Optional Accessories</b>	
Ventilateur interne double	PBI-1200A
Trousse de recirculation d'air (30") *	ZRC-7000B
Trousse de recirculation d'air (36") *	ZRC-7036B
Dosseret (30")	AK0710
Dosseret (36")	AK0716
Dosseret (48")	AK0718
Recouvrement de conduit de 12" (30")	AK0720
Recouvrement de conduit de 12" (36")	AK0726
Recouvrement de conduit de 12" (48")	AK0728

**\* La trousse de recirculation d'air n'est compatible que lors de l'utilisation d'un ventilateur interne simple, et pas avec un ventilateur interne double.**

Pour commander des pièces, visitez-nous en ligne au [www.zephyronline.com](http://www.zephyronline.com) ou communiquez avec nous par téléphone au 1-888-880-8368



# ZEPHYR

## Garantie limitée

### AGRAFEZ VOTRE REÇU ICI

Une preuve de la date d'achat originale est nécessaire pour obtenir du service lorsque le produit est sous garantie

**POUR OBTENIR DU SERVICE SOUS GARANTIE OU POUR TOUTE QUESTION LIÉE À L'ENTRETIEN, veuillez communiquer avec nous au 1-888-880-8368**

Zephyr Corporation (désigné aux présentes sous le nom de « nous ») garantit au premier acheteur (désigné aux présentes sous le nom de « vous » ou « votre ») de produits Zephyr (les « Produits ») que lesdits produits sont exempts de défauts de fabrication ou de main-d'œuvre selon les conditions suivantes :

**Garantie de trois ans sur les pièces :** Garantie de trois ans à partir de la date d'achat originale du Produit. Nous fournirons sans frais les Produits ou les pièces (y compris les ampoules LED, le cas échéant) de remplacement qui comportaient des défauts de fabrication. Nous pourrions choisir, à notre seule discrétion, de réparer ou de remplacer des pièces avant de prendre la décision de remplacer le Produit.

**Garantie limitée d'un an sur la main-d'œuvre :** Garantie d'un an à partir de la date d'achat originale du Produit. Nous couvrirons sans frais les frais de main-d'œuvre afférents à la réparation du Produit ou des pièces de remplacement qui comportaient des défauts de fabrication. Un an après la date d'achat originale, vous serez responsable de tous les frais de main-d'œuvre associés à la présente garantie.

**Exclusions de la garantie :** Cette garantie ne couvre que la réparation ou le remplacement, à notre gré, de pièces ou de Produits défectueux et ne couvre aucun autre coût afférent aux Produits, dont, sans s'y limiter, les frais liés : (a) à l'entretien normal des Produits et au remplacement des pièces consommables, comme les incandescence ou halogène-ampoules, les filtres métalliques, les filtres à charbon et les fusibles; (b) à tout Produit ou pièce ayant été endommagé durant le transport ou étant le résultat d'un mauvais usage, d'une négligence, d'un accident, d'une installation incorrecte ou ne respectant pas les notices d'installation recommandées, d'un entretien ou d'une réparation inapproprié (dont ne nous sommes pas responsables); (c) à une utilisation commerciale ou ne correspondant pas à l'utilisation pour laquelle les Produits sont conçus; (d) à l'usure naturelle du fini, à l'usure due à un entretien inadéquat, à l'utilisation de produits nettoyants corrosifs ou abrasifs, de tampons nettoyeurs et de produits de nettoyage pour le four; (e) aux éclats, entailles ou fissures résultant d'un abus ou d'une mauvaise utilisation du Produit; (f) aux déplacements d'un technicien de service à votre domicile pour vous montrer comment utiliser les Produits; (g) aux dommages causés par un accident, un incendie, une inondation ou un cas fortuit. Si vous vous trouvez à l'extérieur du territoire que nous desservons, des frais supplémentaires pourraient s'appliquer pour la livraison des produits à nos points de service désignés pour une réparation sous garantie ou vous pourriez avoir à déboursier les frais de déplacement du technicien à votre domicile pour que le Produit soit réparé, enlevé ou réinstallé. Un an après la date d'achat originale du Produit, vous êtes également responsable de tous les frais de main-d'œuvre associés à la présente garantie.

**Restrictions de la garantie. NOTRE OBLIGATION DE RÉPARER OU DE REMPLACER, À NOTRE GRÉ, LE PRODUIT CONSTITUE VOTRE SEUL ET UNIQUE RECOURS SOUS LA PRÉSENTE GARANTIE. NOUS NE NOUS PORTONS PAS RESPONSABLES POUR TOUT DOMMAGE INDIRECT, ACCESSOIRE OU PARTICULIER RÉSULTANT OU AYANT UN LIEN AVEC L'UTILISATION OU LE RENDEMENT DES PRODUITS. LES GARANTIES EXPRESSES DE LA SECTION PRÉCÉDENTE SONT EXCLUSIVES ET TIENNENT LIEU DE TOUTE AUTRE GARANTIE EXPRESSE. PAR LES PRÉSENTES, NOUS REJETONS ET EXCLUONS TOUTE AUTRE GARANTIE EXPRESSE POUR LES PRODUITS ET TOUTES LES GARANTIES TACITES PRÉVUES PAR LA LOI, DONT CELLES RELATIVES À LA QUALITÉ MARCHANDE OU À L'ADÉQUATION DU PRODUIT POUR UNE UTILISATION PARTICULIÈRE.** Certains États ou provinces n'autorisent pas les restrictions sur la durée d'une garantie implicite ou l'exclusion ou la restriction des dommages indirects ou accessoires; par conséquent, les exclusions et restrictions mentionnées ci-dessus pourraient ne pas s'appliquer à votre cas. Dans la mesure où une loi applicable interdit l'exclusion de garanties implicites, la durée de toute garantie implicite applicable se limite à la période de deux ans décrite ci-dessus. L'unique objectif de toute description orale ou écrite est de présenter les Produits et celle-ci ne devrait pas être interprétée comme une garantie expresse. Avant d'utiliser ou de permettre l'utilisation des Produits, vous devrez déterminer si les Produits conviennent aux utilisations prévues et vous devrez assumer tout risque et toute responsabilité relatifs à ces utilisations. Nous nous réservons le droit d'utiliser des pièces reconstruites ou remises à neuf pour remplacer l'une des fonctionnalités dans le cadre de la présente garantie ou de l'une des parties de la présente garantie. L'acheteur original ne peut transférer la présente garantie et celle-ci n'est valide qu'aux États-Unis et au Canada.

**Pour obtenir du service sous la garantie :** Pour avoir droit à du service sous garantie, vous devez : (a) nous avertir en utilisant l'adresse ou le numéro de téléphone inscrit ci-dessous dans les soixante jours suivant la détection du défaut; (b) donner le numéro du modèle, le numéro d'identification de la pièce ainsi que le numéro de série; et (c) décrire la nature de tout défaut de la pièce ou du Produit. Au moment de faire la demande de service sous garantie, vous devrez présenter votre preuve d'achat et la preuve de la date d'achat originale. Si nous déterminons que les exclusions de la garantie énumérées ci-dessus s'appliquent ou si vous vous trouvez dans l'incapacité de nous fournir la documentation nécessaire pour obtenir du service, vous serez responsable de tous les frais d'expédition, de déplacement, de main-d'œuvre ou de tout autre coût afférent au service.

Veuillez consulter notre site Web au [www.zephyronline.com](http://www.zephyronline.com) pour savoir si des révisions ont été apportées à la garantie.

**Zephyr Corporation Service Department, 2277 Harbor Bay Parkway, Alameda, CA 94502 1-888-880-8368**