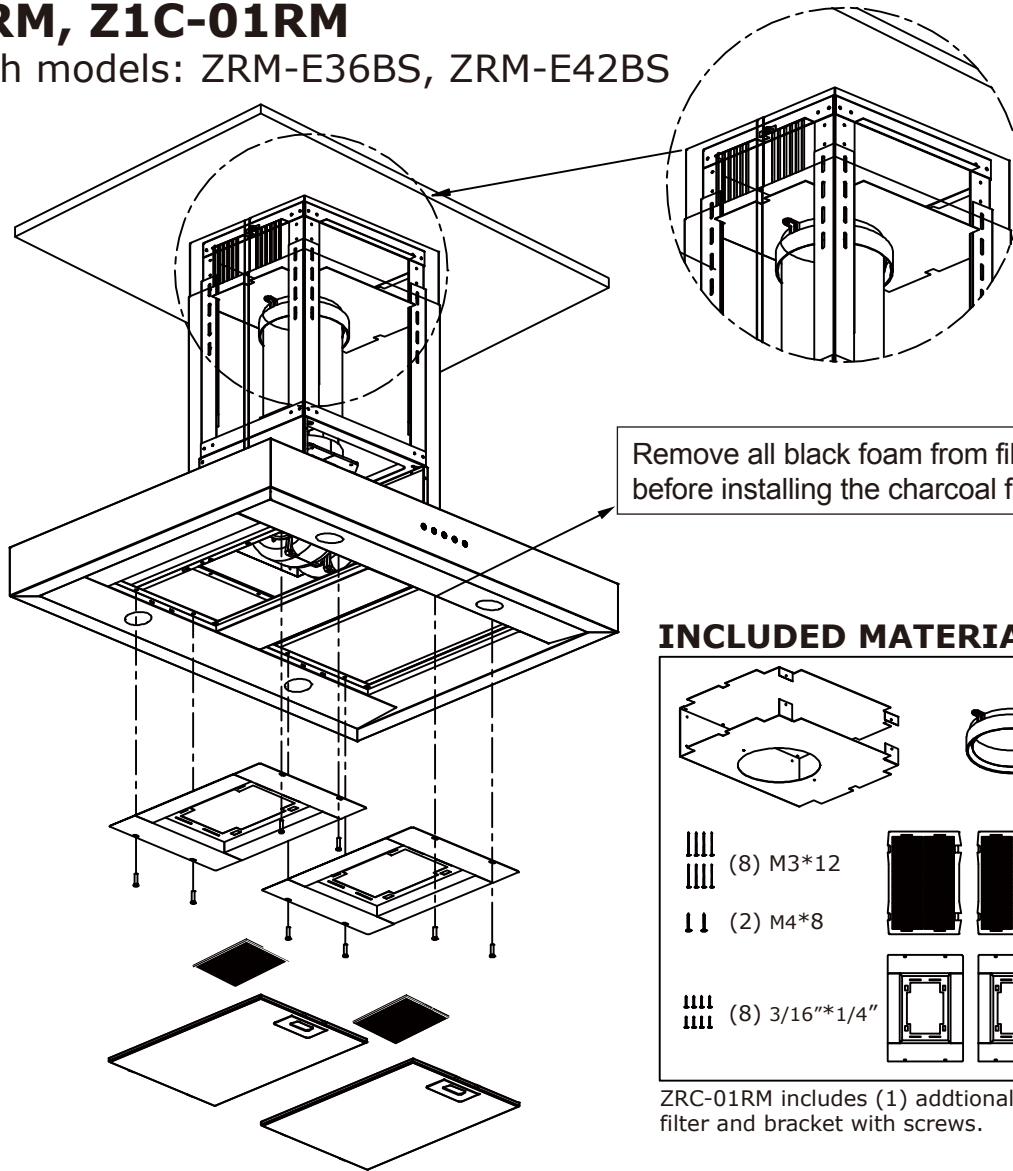
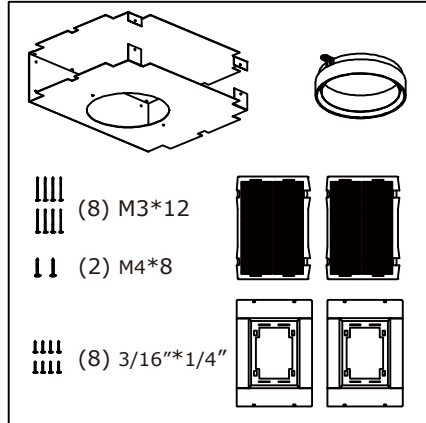


ZRC-00RM, Z1C-01RM

For use with models: ZRM-E36BS, ZRM-E42BS



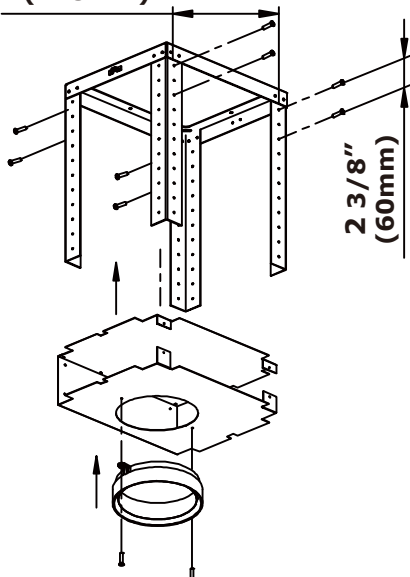
INCLUDED MATERIALS



ZRC-01RM includes (1) additional filter and bracket with screws.

1

10 15/16"
(278mm)



2

