

# VERONA island

Verona is topped with a straight glass canopy that also serves as an ambiance setting LED display. Select the Cloud White, Deep Blue and Amber color options to best match your kitchen's décor, or choose the Demo mode that displays all three settings in 10-second intervals. A Next Generation Europa model, Verona includes Zephyr's DCBL Suppression System™ with Bloom™ HD LED light bulbs and LCD display controls.

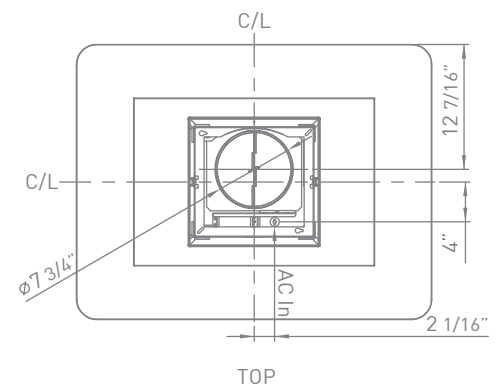
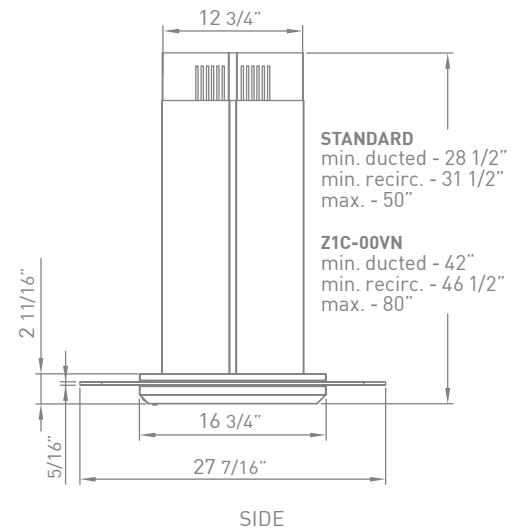
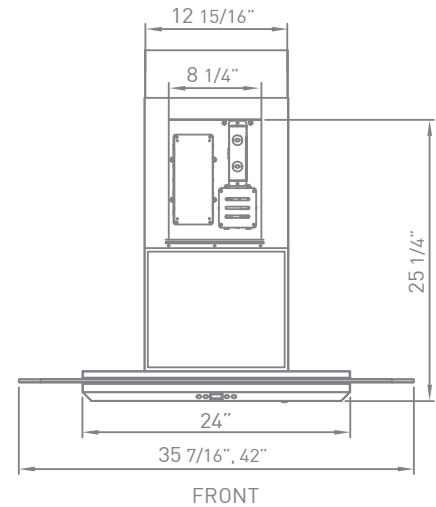
	INTERNAL BLOWER STANDARD	ACT™ INTERNAL BLOWER with AIRFLOW CONTROL TECHNOLOGY™			
Min.-Max. CFM	250 - 715	Min.-Max. CFM	250 - 590	250 - 390	250 - 290
Min.-Max. Sones	0.8 - 5.8	Min.-Max. Sones	0.8 - 4.5	0.8 - 3	0.8 - 1.2

*ACT is a feature built into all Zephyr hoods with DCBL Suppression System™ technology allowing you to limit the maximum blower CFM to meet local code requirements.*



# VERONA ISLAND | NEXT GENERATION EUROPA

<b>SIZE</b>	ZVN-M90AG 36" ZVN-E42AG 42"
<b>PERFORMANCE</b>	
INTERNAL, MIN.-MAX. BLOWER CFM	250 - 715
INTERNAL, MIN.-MAX. SONES	0.8 - 5.8
<b>COLOR</b>	
STAINLESS STEEL	SS w/Glass
<b>FEATURES</b>	
ACT	Yes
CONTROLS	Electronic LCD
SPEED LEVELS	5 + Burst
AUTO DELAY-OFF	Yes
LIGHTING	Bloom™ HD LED 3W x 4
DUAL LEVEL LIGHTING	Yes
LED ILLUMINATED GLASS	Yes; Cloud White, Deep Blue, & Amber
FILTERS	Aluminum Mesh x 1
RECIRCULATING OPTION	Yes
EXTENSION DUCT COVER OPTION	Yes, Up to 12' Ceiling
<b>DUCT SPECIFICATIONS</b>	
VERTICAL - INTERNAL	8" Round
HORIZONTAL - INTERNAL	NA
<b>AC INPUT</b>	120V - 60Hz
<b>AC POWER</b>	Max. 230W at 3.5A
<b>OPTIONAL ACCESSORIES</b>	
RECIRCULATING KIT	ZRC-00VN
EXTENSION DUCT COVER	Z1C-00VN
UNIVERSAL MAKE-UP AIR DAMPER	MUA008A
<b>MOUNTING HEIGHT*</b>	26" - 34"
<b>WARRANTY</b>	3 Years Parts, 1 Year Labor



Specifications subject to change, check [zephyronline.com](http://zephyronline.com) for up-to-date information.

		CEILING HEIGHT								
		8'	8.5'	9'	9.5'	10'	10.5'	11'	12'	
<b>STANDARD DUCT COVER</b>	Ducted Mounting Height*	26"-31.5"	26"-34"	26"-34"	28"-34"	34"-34"	NA	NA	NA	
	Recirc. Mounting Height*	26"-28.5"	26"-34"	26"-34"	28"-34"	34"-34"	NA	NA	NA	
<b>EXTENSION DUCT COVER</b>	Ducted Mounting Height*	NA	NA	26"-30"	26"-34"	26"-34"	26"-34"	26"-34"	28"-34"	
	Recirc. Mounting Height*	NA	NA	NA	26"-31.5"	26"-34"	26"-34"	26"-34"	28"-34"	

\*Mounting height refers to distance between top of a 36" tall cooking surface and bottom of hood.