

MODENA island

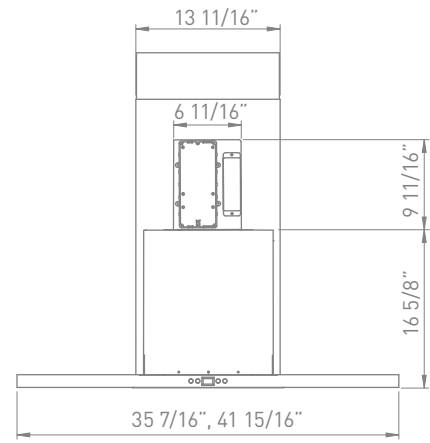
Modena island's low-profile, stainless steel and airy glass canopy resembles a floating island over your cooktop or range. A perfect blend of architecture and performance, Modena island is sure to add the muscle your kitchen requires without the cluttered sight lines typical with more cumbersome range hood models. Equipped with DCBL Suppression™ technology, Modena island performs whisper-quiet air removal, while flaunting its technologically-advanced Bloom™ HD LED light bulbs and electronic LCD controls that rest subtly on its one-inch canopy.

	INTERNAL BLOWER STANDARD	ACT™ INTERNAL BLOWER with AIRFLOW CONTROL TECHNOLOGY™			
Min.-Max. CFM	250 - 715	Min.-Max. CFM	250 - 590	250 - 440	250 - 290
Min.-Max. Sones	0.8 - 5.8	Min.-Max. Sones	0.8 - 4.5	0.8 - 3	0.8 - 1.2

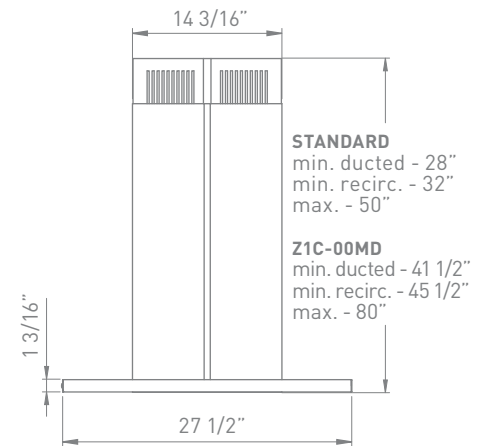
ACT is a feature built into all Zephyr hoods with DCBL Suppression System™ technology allowing you to limit the maximum blower CFM to meet local code requirements.



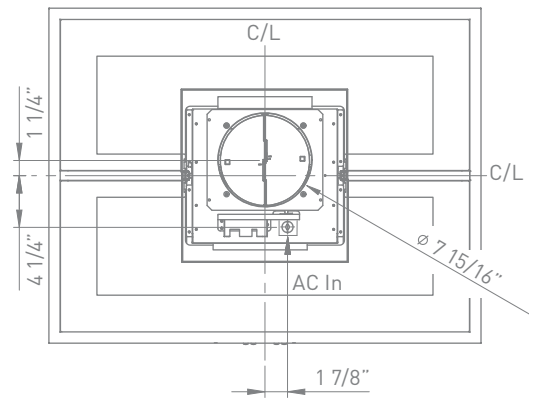
SIZE	
ZMD-M90AS	36"
ZMD-E42AS	42"
PERFORMANCE	
INTERNAL, MIN.-MAX. BLOWER CFM	250 - 715
INTERNAL, MIN.-MAX. SONES	0.8 - 5.8
COLOR	
STAINLESS STEEL	SS
FEATURES	
CONTROLS	Electronic LCD
SPEED LEVELS	5 + Burst
AUTO DELAY-OFF	Yes
LIGHTING	Bloom™ HD LED 3W x 4
DUAL LEVEL LIGHTING	Yes
FILTERS	Aluminum Mesh
RECIRCULATING OPTION	Yes
EXTENSION DUCT COVER OPTION	Yes, Up to 12' Ceiling
DUCT SPECIFICATIONS	
VERTICAL - INTERNAL	8"
HORIZONTAL - INTERNAL	NA
AC INPUT	
	120V - 60Hz
AC POWER	
	Max. 215W at 3.5A
OPTIONAL ACCESSORIES	
RECIRCULATING KIT	ZRC-00MD
EXTENSION DUCT COVER	Z1C-00MD
MOUNTING HEIGHT*	
	26" - 34"
WARRANTY	
	3 Years Parts, 1 Year Labor



FRONT



SIDE



TOP

Specifications subject to change, check zephyronline.com for up to date information.

CEILING HEIGHT		8'	8.5'	9'	9.5'	10'	10.5'	11'	12'
STANDARD DUCT COVER	Ducted Mounting Height*	26"-33"	26"-34"	26"-34"	28"-34"	34"-34"	NA	NA	NA
	Recirc. Mounting Height*	26"-32"	26"-34"	26"-34"	28"-34"	34"-34"	NA	NA	NA
EXTENSION DUCT COVER	Ducted Mounting Height*	26"-28"	NA	26"-30.5"	26"-34"	26"-34"	26"-34"	26"-34"	28"-34"
	Recirc. Mounting Height*	NA	NA	26"-26.5"	26"-32.5"	26"-34"	26"-34"	26"-34"	28"-34"

*Mounting height refers to distance between top of a 36" tall cooking surface and bottom of hood.