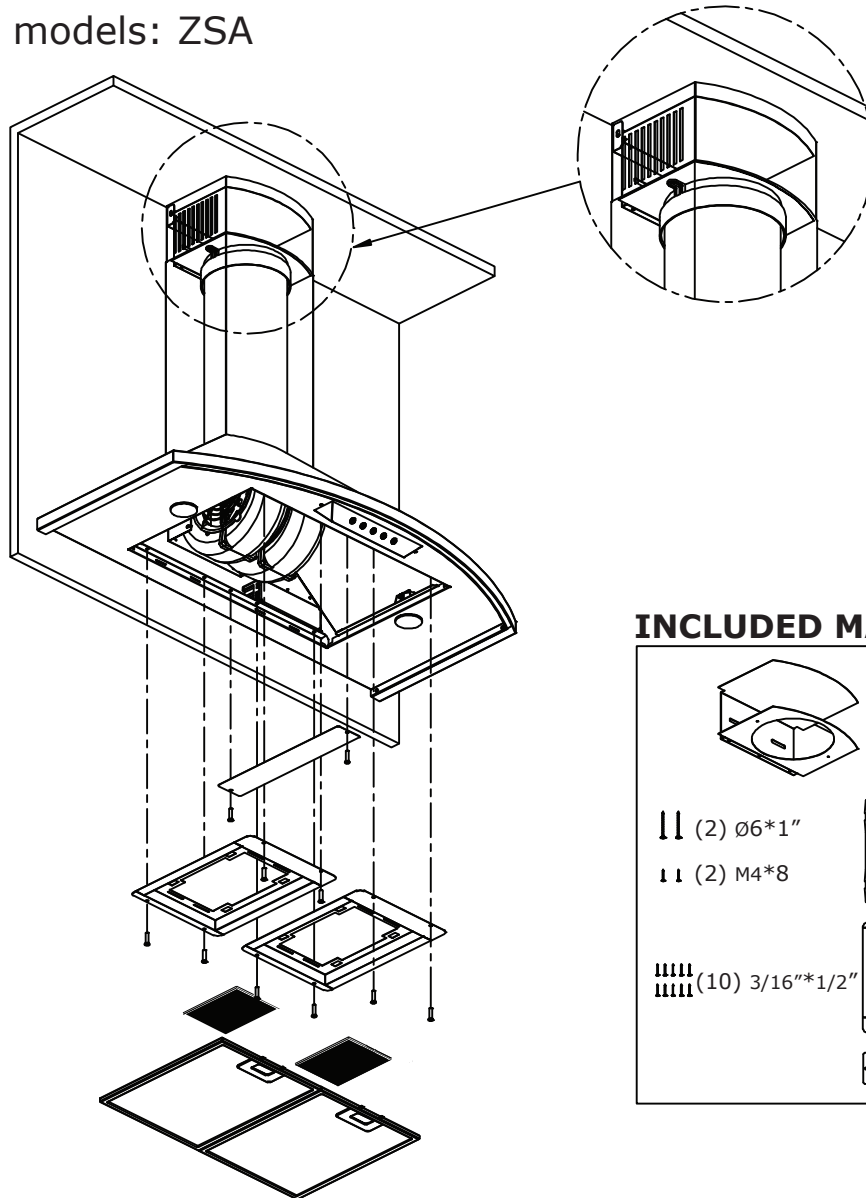
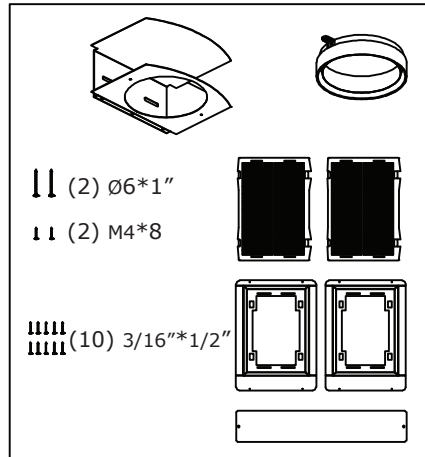


ZRC-00SV

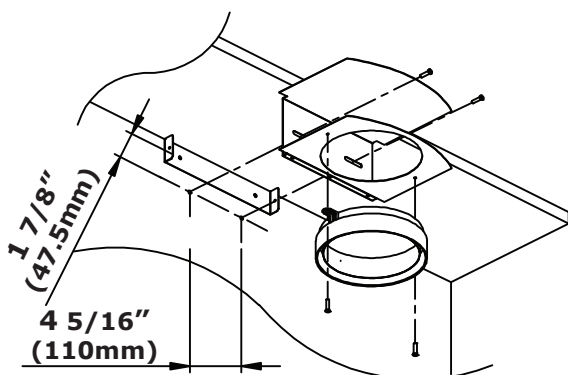
For use with models: ZSA



INCLUDED MATERIALS



1



2

