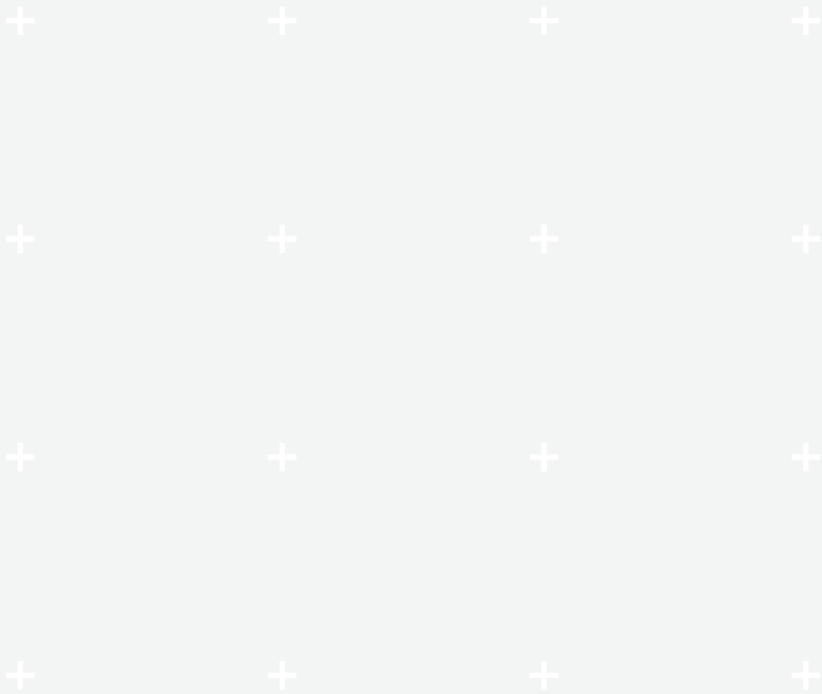
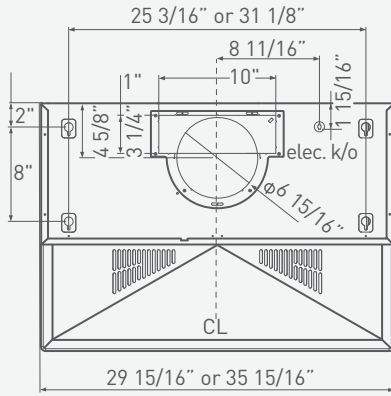


PYRAMID

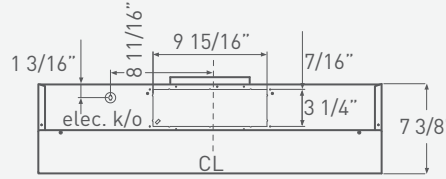
Classic, architectural lines meet at an apex to energize the familiar look of the chimney style under-cabinet hood. This expressive yet utilitarian design also features an adjustable back-panel utensil bar that accommodates a variety of cabinet depths to put cooking utensils within easy reach. New control configuration and 12" depth ensure simple operation and a true fit with popular cabinet styles.



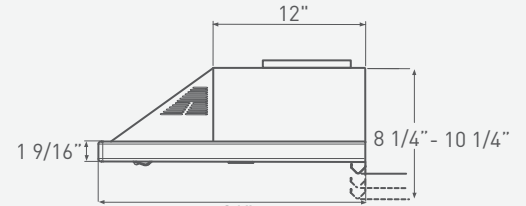
ESSENTIALS



Top



Back



Side

Adjustable Utensil Bar Heights

PYRAMID

UNDER CABINET

MODEL	ZPY-E30AS290	ZPY-E30A_ / ZPY-E36A_
SIZE	30"	30" / 36"
NET WIDTH	29 15/16"	29 15/16" / 35 15/16"
PERFORMANCE		
Internal Blower	120 - 290 CFM	210 - 400 CFM
Internal Blower Sones	1.1 - 3.2	2 - 5
COLOR		
Black, White, Stainless Steel	S	B, W, S
FEATURES		
Controls	Mechanical Slide	Mechanical Slide
Speed Levels	3	3
Auto Delay-Off	No	No
Lighting	Halogen, 50W x 2	Halogen, 50W x 2
Dual-Level Lighting	Yes	Yes
Filters	Aluminum Mesh x 2	Aluminum Mesh x 2
Recirculating	Yes	Yes
Duct Cover Extension	NA	NA
Adjustable Utensil Bar	Yes, Up to 3"	Yes, Up to 3"
DUCT SPECIFICATIONS		
Internal Blower - Vertical	7" or 3 1/4" x 10"	7" or 3 1/4" x 10"
Internal Blower - Horizontal	3 1/4" x 10"	3 1/4" x 10"
AC INPUT	120V - 60Hz	120V - 60Hz
AC POWER	Max. 186W, 1.55A	Max. 207W, 1.7A
OPTIONAL ACCESSORIES		
Recirculating Kit	ZRC-0200	ZRC-0200

Mounting Heights Min. height 24" from cooking surface.

Max. height 32" from cooking surface.

ESSENTIALS



Zephyr Corporation

2277 Harbor Bay Parkway
Alameda, CA 94502

1.888.880.VENT

www.zephyronline.com may08.0101

