

NAPOLI island

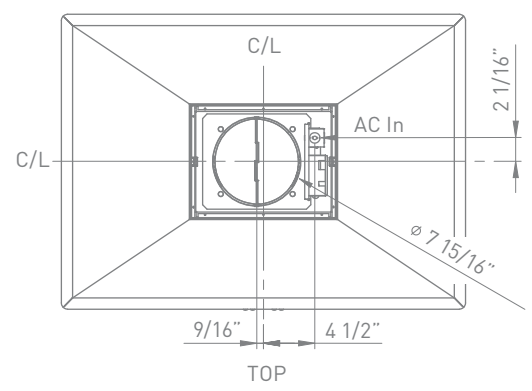
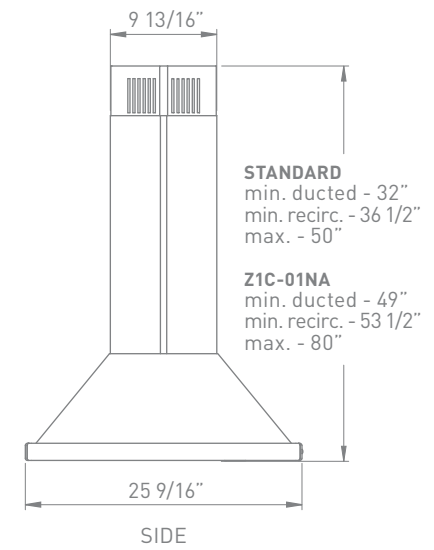
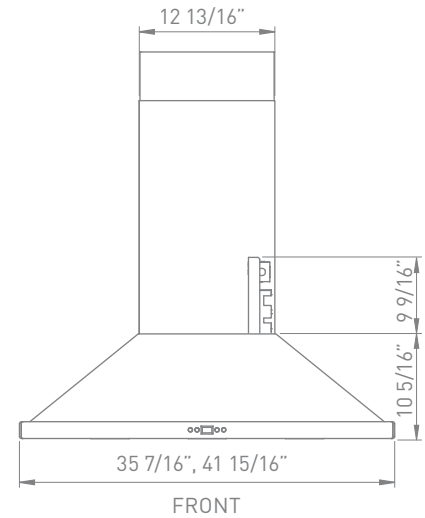
A part of the Next Generation Europa, Napoli is a classic island range hood design. Strong with upwardly-angled walls, Napoli makes an impression in any kitchen. Upgraded with Zephyr's DCBL Suppression System™, Bloom™ HD LED light bulbs and the unique Quick-Lock installation system, Napoli is as easy to install as it is to enjoy. Napoli is a technological achievement and a cut above the rest.

| | INTERNAL BLOWER STANDARD | ACT™ INTERNAL BLOWER with AIRFLOW CONTROL TECHNOLOGY™ | | | |
|-----------------|--------------------------|---|-----------|-----------|-----------|
| Min.-Max. CFM | 250 - 715 | Min.-Max. CFM | 250 - 590 | 250 - 440 | 250 - 290 |
| Min.-Max. Sones | 0.8 - 5.8 | Min.-Max. Sones | 0.8 - 4.5 | 0.8 - 3 | 0.8 - 1.2 |

ACT is a feature built into all Zephyr hoods with DCBL Suppression System™ technology allowing you to limit the maximum blower CFM to meet local code requirements.



| | |
|--------------------------------|-----------------------------|
| SIZE | |
| ZNA-M90BS | 36" |
| ZNA-E42BS | 42" |
| PERFORMANCE | |
| INTERNAL, MIN.-MAX. BLOWER CFM | 250 - 715 |
| INTERNAL, MIN.-MAX. SONES | 0.8 - 5.8 |
| COLOR | |
| STAINLESS STEEL | SS |
| FEATURES | |
| CONTROLS | Electronic LCD |
| SPEED LEVELS | 5 + Burst |
| AUTO DELAY-OFF | Yes |
| LIGHTING | Bloom™ HD LED 3W x 4 |
| DUAL LEVEL LIGHTING | Yes |
| FILTERS | Aluminum Mesh |
| RECIRCULATING OPTION | Yes |
| EXTENSION DUCT COVER OPTION | Yes, Up to 12' Ceiling |
| DUCT SPECIFICATIONS | |
| VERTICAL - INTERNAL | 8" |
| HORIZONTAL - INTERNAL | NA |
| AC INPUT | 120V - 60Hz |
| AC POWER | Max. 215W at 3.5A |
| OPTIONAL ACCESSORIES | |
| RECIRCULATING KIT | ZRC-00NA |
| EXTENSION DUCT COVER | Z1C-01NA |
| MOUNTING HEIGHT* | 26" - 34" |
| WARRANTY | 3 Years Parts, 1 Year Labor |



Specifications subject to change, check zephyronline.com for up to date information.

| CEILING HEIGHT | | 8' | 8.5' | 9' | 9.5' | 10' | 10.5' | 11' | 12' |
|-----------------------------|--------------------------|---------|-----------|---------|---------|-----------|---------|---------|---------|
| STANDARD DUCT COVER | Ducted Mounting Height* | 26"-28" | 26"-34" | 26"-34" | 28"-34" | 34"-34" | NA | NA | NA |
| | Recirc. Mounting Height* | NA | 26"-29.5" | 26"-34" | 28"-34" | 34"-34" | NA | NA | NA |
| EXTENSION DUCT COVER | Ducted Mounting Height* | NA | NA | NA | 26"-29" | 26"-34" | 26"-34" | 26"-34" | 28"-34" |
| | Recirc. Mounting Height* | NA | NA | NA | NA | 26"-30.5" | 26"-34" | 26"-34" | 28"-34" |

*Mounting height refers to distance between top of a 36" tall cooking surface and bottom of hood.



All Next Generation Europa range hoods are equipped with DCBL Suppression™ technology, including Bloom™ HD LED light bulbs. To learn more, visit us at zephyronline.com.

