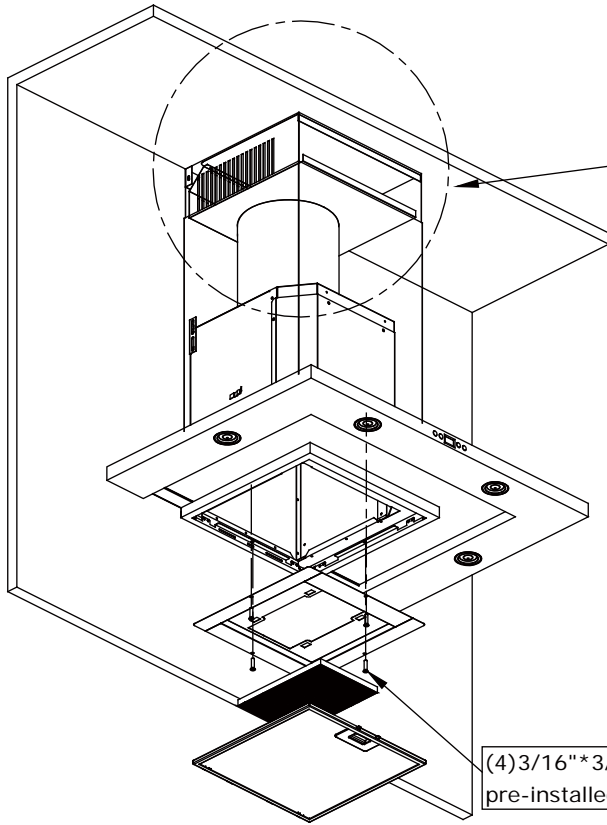
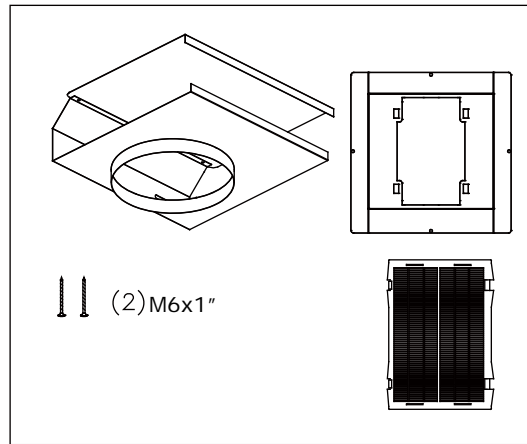


ZRC-00MO

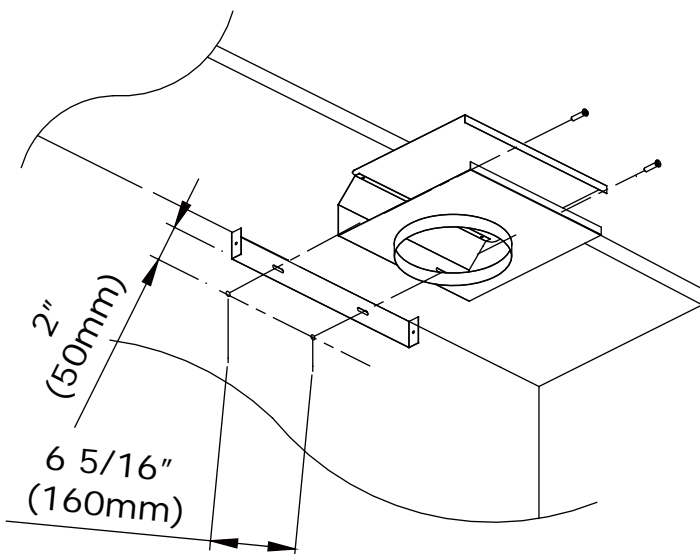
For use with models : ZMO-E30AS, ZMO-M90AS



INCLUDED MATERIAL



1



2

