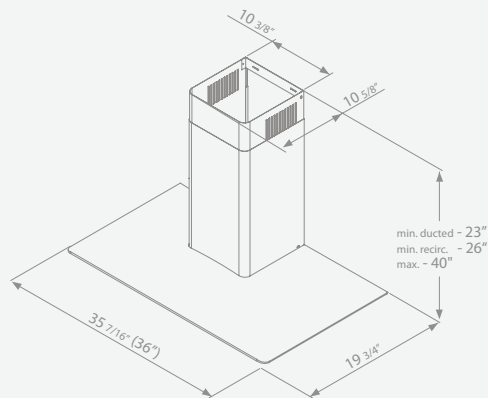
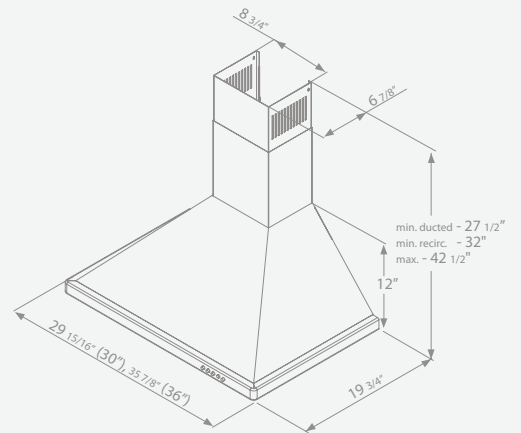


BMI



BSI



BVE

CHIMNEY WALL

MODEL	BMI-E36AG , BMI-E36AS	BSI-E36AS	BVE-E30AS , BVE-E36AS
SIZE	36"	36"	30" , 36"
NET WIDTH	35-3/16"	35-7/16"	29-15/16" , 35-7/8"
PERFORMANCE			
Internal Blower	600 CFM	600 CFM	600 CFM
Internal Blower Sones	6	6	6
COLOR			
Stainless Steel	SS w/ Glass , SS	SS w/ Glass	SS
FEATURES			
Controls	Mechanical Push Button	Mechanical Push Button	Mechanical Push Button
Speed Levels	3	3	3
Delay Off	No	No	No
Lighting	Halogen, 50W x 2	Halogen, 50W x 2	Halogen, 50W x 2
Dual Level Lighting	No	No	No
Filters	Metal Mesh x 2	Metal Mesh x 2	Metal Mesh x 2
Recirculating	Yes	Yes	Yes
Duct Cover Extension	Yes, Up to 12' Ceiling	Yes, Up to 12' Ceiling	Yes, Up to 12' Ceiling
DUCT SPECIFICATIONS			
Internal Blower - Vertical	6"	6"	6"
Internal Blower - Horizontal	NA	NA	NA
AC INPUT	120V - 60Hz	120V - 60Hz	120V - 60Hz
AC POWER	Max. 390W at 3.2 Amps	Max. 390W at 3.2 Amps	Max. 390W at 3.2 Amps
OPTIONAL ACCESSORIES			
Recirculating Kit	BRC-0002	BRC-0002	BRC-0001
Extension Kit	B1C-00MI	B1C-00MI	B1C-00VE

Mounting Heights

Minimum height, 24" from cooking surface.

Maximum height, 32" from cooking surface.

