



ELICA

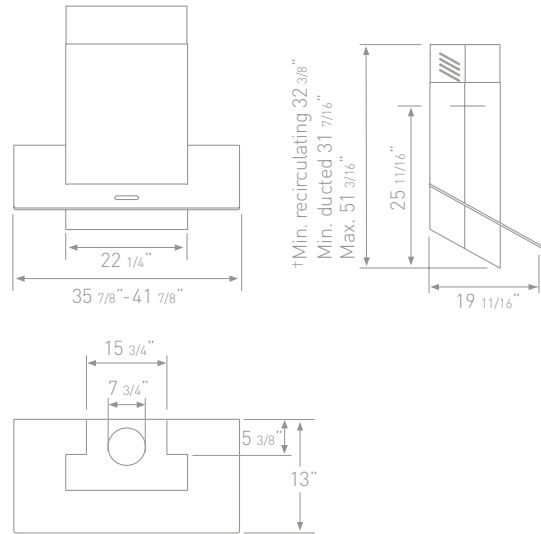
COLLECTION

BOGART

A masterwork of intersecting planes and angles, Bogart showcases the David Lewis genius for design discipline and simplicity. Some detect a tip of the hat to mid-century modernism. Others see a future *noir* study of line and form. Everyone agrees that it is a contemporary original. As with all of our hoods, Bogart may be configured for ducted or recirculating uses.



ELICA COLLECTION



*Ductless (Recirculating); louver holes exposed.
Note: if necessary order the proper duct cover extension kit.

BOGART

WALL

MODEL	EBO-E36ASX	EBO-E42ASX
SIZE	36"	42"
NET WIDTH	35 7/8"	41 7/8"
*PERFORMANCE		
Internal Blower CFM	600	600
**In-Line Blower CFM	1100	1100
Sones (Internal Blower)	6	6
Boost Sones	9	9
COLOR/FINISH		
Stainless Steel w/Glass Canopy	S	S
FEATURES & ACCESSORIES		
Control Ball	Control Ball	Control Ball
Controls	3	3
Speed Levels	Yes	Yes
Boost Speed	Yes	Yes
Lighting	Halogen 20w 12v x 2	Halogen 20w 12v x 2
Dual Level Lighting	Yes	Yes
RF Remote	Yes	Yes
Passive Silencer	Yes	Yes
DUCT SPECIFICATIONS		
**Ducting	8"	8"
Recirculating	Yes	Yes
Duct Cover Extension Option (up to 12' ceiling)	Yes	Yes



The ingenious conical remote control is more than a conversation piece—it puts you in charge of power and light from a distance.

Mounting Heights (Ducted) (Louver holes hidden)	Min. ceiling height 8". Hood mounted 24" above cooking surface; 60" from floor.	Max. ceiling height 9'10". Hood mounted 32" above cooking surface; 68" from floor.
Mounting Heights (Recirculating) (Louver holes exposed)	Min. ceiling height 8". Hood mounted 24" above cooking surface; 60" from floor.	Max. ceiling height 9'10". Hood mounted 32" above cooking surface; 68" from floor.

* Blowers not included with hoods, order blower option separately. ** Run 10" round duct work from in-line blower to the ceiling bracket. Before duct work passes through the ceiling bracket, use a 10" to 8" transition adaptor (included) and run 8" duct.



Zephyr Corporation

395 Mendell Street
San Francisco, CA 94124

1.888.880.VENT

www.zephyronline.com deco5.0102