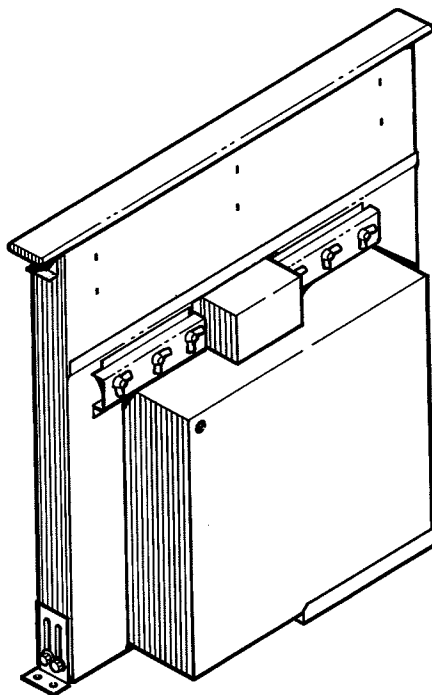


# Use, Care, and Installation Guide

## Sorrento

DD1-E30AS

DD1-E36AS



Model number: \_\_\_\_\_

Serial number: \_\_\_\_\_

Date of purchase: \_\_\_\_\_

Sales dealer: \_\_\_\_\_

FEB08.0101 © Zephyr Corporation

**READ AND SAVE THESE INSTRUCTIONS**

MODEL	WIDTH	BLOWER
DD1-E30AS	30"	500 cfm
DD1-E36AS	36"	500 cfm



**WARNING** - To reduce the risk of burns or ignition of clothing by reaching across burners, the downdraft remote control **MUST** be mounted in the countertop - at least 4" from the burners. See "INSTALL COOKTOP" section on page 8.

## READ AND SAVE THESE INSTRUCTIONS

### WARNING



**TO REDUCE THE RISK OF FIRE, ELECTRIC SHOCK, OR INJURY TO PERSONS, OBSERVE THE FOLLOWING:**

- Use this unit only in the manner intended by the manufacturer. If you have questions, contact the manufacturer at the address or telephone number in the warranty.
- Before servicing or cleaning unit, switch power off at service panel and lock the service disconnecting means to prevent power from being switched on accidentally. When the service disconnecting means cannot be locked, securely fasten a prominent warning device, such as a tag, to the service panel.
- Installation work and electrical wiring must be done by a qualified person(s) in accordance with all applicable codes and standards, including fire-rated construction codes and standards.
- Sufficient air is needed for proper combustion and exhausting of gases through the flue (chimney) of fuel burning equipment to prevent backdrafting. Follow the heating equipment manufacturer's guideline and safety standards such as those published by the National Fire Protection Association (NFPA), and the American Society for Heating, Refrigeration and Air Conditioning Engineers (ASHRAE), and the local code authorities.
- When cutting or drilling into wall or ceiling, do not damage electrical wiring and other hidden utilities.
- Ducted fans must always be vented to the outdoors.
- To reduce the risk of fire, use only metal ductwork.
- Do not install this product with the activating switch directly behind a burner or element. Minimum distance between the switch and the edge of the cooktop should be 4 inches.
- Loose-fitting or hanging clothing should never be worn when operating this appliance. They may be ignited by burners/elements on cooktop.
- Children should not be left alone or unattended in the area where this appliance is in use.
- This unit must be grounded.

**TO REDUCE THE RISK OF A RANGE TOP GREASE FIRE:**

- Never leave surface units unattended at high settings. Boilovers cause smoking and greasy spillovers that may ignite. Heat oils slowly on low or medium settings.
- Always turn hood ON when cooking at high heat or when cooking flaming foods.
- Clean ventilating fans frequently. Grease should not be allowed to accumulate on fan or filter.
- Use proper pan size. Always use cookware appropriate for the size of the surface element.

**NOTE: Model DDA-0001 Remote Up/Down Control sold separately.**

### INSTALLER:

**Save this manual for Electrical Inspector and Homeowner to use.**

### WARNING



**TO REDUCE THE RISK OF INJURY TO PERSONS IN THE EVENT OF A RANGE TOP GREASE FIRE, OBSERVE THE FOLLOWING<sup>a</sup>:**

- SMOTHER FLAMES with a close-fitting lid, cookie sheet, or metal tray, then turn off the burner. **BE CAREFUL TO PREVENT BURNS.** If the flames do not go out immediately, **EVACUATE AND CALL THE FIRE DEPARTMENT.**
- NEVER PICK UP A FLAMING PAN** - You may be burned.
- DO NOT USE WATER**, including wet dishcloths or towels - a violent steam explosion will result.
- Use an extinguisher **ONLY** if:
  - You know you have a Class ABC extinguisher, and you already know how to operate it.
  - The fire is small and contained in the area where it started.
  - The fire department is being called.
  - You can fight the fire with your back to an exit.

<sup>a</sup> Based on "Kitchen Firesafety Tips" published by NFPA.

### CAUTION



- For general ventilating use only. Do not use to exhaust hazardous or explosive materials and vapors.
- To avoid motor bearing damage and noisy and/or unbalanced impellers, keep drywall spray, construction dust, etc. off power unit.
- Clean filters and grease-laden surfaces frequently.
- Do not repair or replace any part of this appliance unless specifically recommended in this manual. All other servicing should be done by a qualified technician.
- Please read specification label on product for further information and requirements.

MODEL	WIDTH	BLOWER
DD1-E30AS	30"	500 cfm
DD1-E36AS	36"	500 cfm

## FEATURES

### HOUSING:

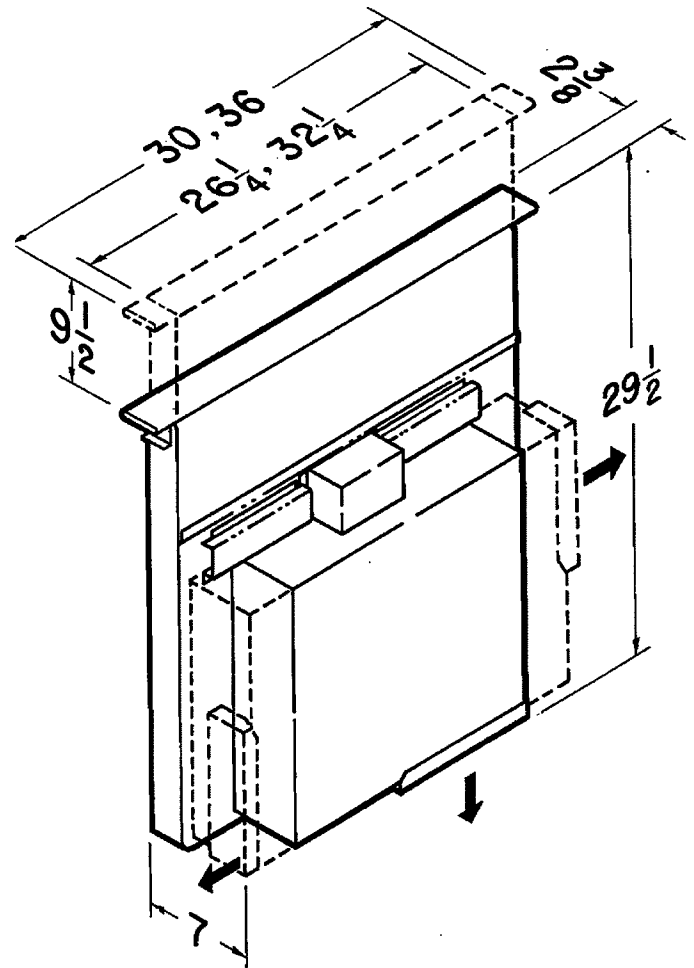
- Rugged steel construction
- Finished with silver paint
- Space-saving - can be used with most cooktops on the market
- 30" or 36" widths - Fits standard-size cabinets

### BLOWER:

- Dynamically-balanced 9-1/8" dia. x 2-1/8" centrifugal blower wheel for quiet, efficient performance
- Permanently lubricated, thermally-protected motor
- Neoprene, resilient anti-vibration mounts
- Unit plugs directly into 120 VAC, 60 HZ, grounded outlet
- Uses standard 3-1/4" x 10" duct connector
- 3-position discharge - scroll box moveable to adjust to floor joists

### CHIMNEY ASSEMBLY:

- Brushed stainless steel cover - just press button to turn unit "ON"
- Chimney rises 9½" when activated - ideal for large pots and pans
- Stylish, decorative mesh filters - easy to remove and dishwasher-safe
- Stainless steel chimney front and back - makes cleanup quick and easy
- Flush-mounted, infinite rotary speed blower control
- Auto Heat Sensor adjusts speed of blower to HIGH in case of excess heat
- Conveniently located button - press to lower air vent and turn unit "OFF"
- OPTIONAL Remote Control (Model DDA-0001) activates downdraft from alternate location



## SPECIFICATIONS

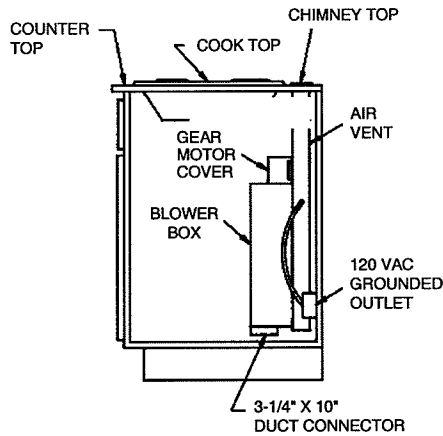
VOLTS	AMPS	CFM	DUCT
120	4.0	500	3-1/4" x 10"



HVI2100 CERTIFIED RATINGS comply with new testing technologies and procedures prescribed by the Home Ventilating Institute, for off-the-shelf products, as they are available to consumers. Product performance is rated at 0.1 in. static pressure, based on tests conducted in a state-of-the-art test laboratory. Sones are a measure of humanly-perceived loudness, based on laboratory measurements.

# PLANNING

## TYPICAL INSTALLATION



**ELECTRICAL SPECIFICATIONS**  
**120 VAC • 60 Hz • 4.0 A**

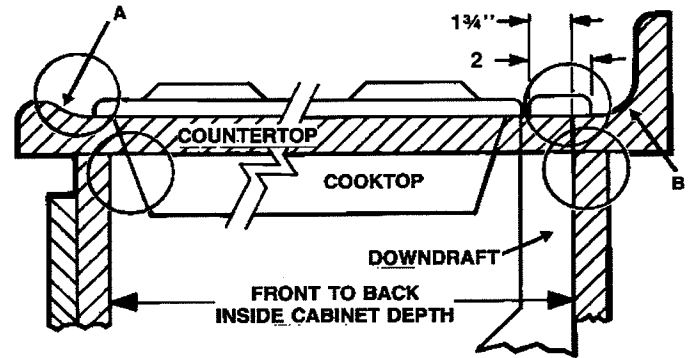
This downdraft blower system is designed to be used to exhaust airborne contaminants when cooking with a variety of gas or electric cooktops. It can be mounted in island, peninsula, or conventional wall locations.

This unit can be easily installed following these basic steps:

- Cut out the countertop opening.
- Mount the unit in the cabinet.
- Connect the ductwork and electrical.
- Install the cooktop.

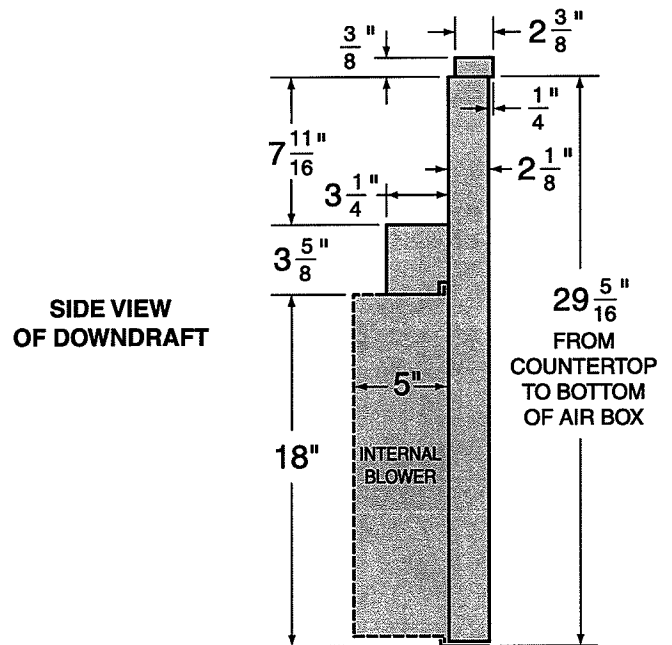
**Note:** the high level of air flow of this appliance may effect the gas flame on some types of gas cooktops. This is NORMAL and will cause no harm, but can be corrected by lowering the speed of the blower.

# TAKE MEASUREMENTS



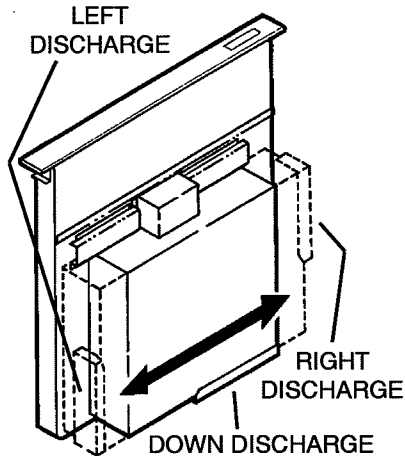
1. Refer to the cooktop installation instructions for dimensions of cooktop, countertop cut-out, and cabinet requirements. Model DD1-E30AS will fit in most 30" wide cabinets. Model DD1-E36AS will fit in most 36" wide cabinets. However, it is recommended that oversized cabinets be used for easier installation.
2. Cooktop depth can vary greatly from one to another. This may cause the fit of these two appliances to be rather tight.


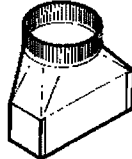
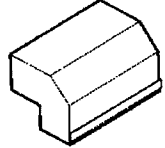
Pay special attention to the areas of potential interference highlighted above. A countertop with (A) a raised lip and/or (B) a backsplash may not allow enough flat countertop for a proper installation. Note that 2" of flat countertop is required behind cooktop and that 1-3/4" is necessary between the back edge of the cooktop and the inside of cabinet back.



## PLAN THE DUCTWORK

1. The interior down-draft blower system is designed for use with 3-1/4" x 10" ductwork (can be transitioned to 6" round). Three different discharge directions are available with side-to-side adjustment for accurate alignment of ductwork.
2. For best performance: Choose the ducting option which allows the shortest length of ductwork and a minimum number of elbows and transitions. Check location of floor joists, wall studs, electrical wiring or plumbing for possible interference.



<p>6" ROUND ELBOW</p>  <p>EQUALS 8 FT. OF STRAIGHT DUCT</p>	<p>3-1/4" X 10" TO 6" RD. TRANSITION</p>  <p>EQUALS 2 FT. OF STRAIGHT DUCT</p>	<p>3-1/4" X 10" 90° ELBOW</p>  <p>EQUALS 14 FT. OF STRAIGHT DUCT</p>
--	---	---

3. The system will operate most efficiently when the ductwork does not exceed 40 feet of equivalent duct. The chart, above, shows equivalent feet of elbows and transitions. The number of feet of straight duct plus the equivalent feet of transitions and/or elbows to be used should equal 40 feet or less.

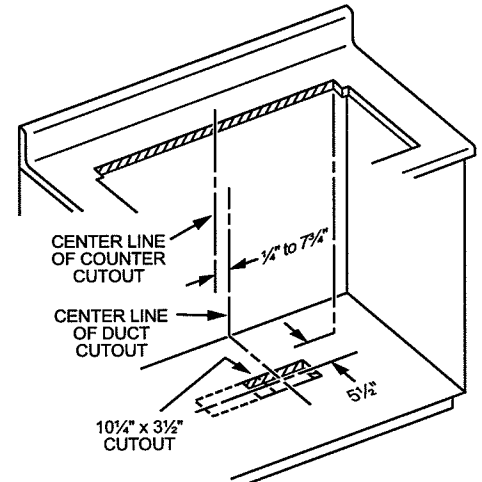
**NOTE: The equivalent feet of various roof and wall caps has been taken into consideration. Do not include them in this calculation.**

## PLAN THE CABINET CUTOUTS

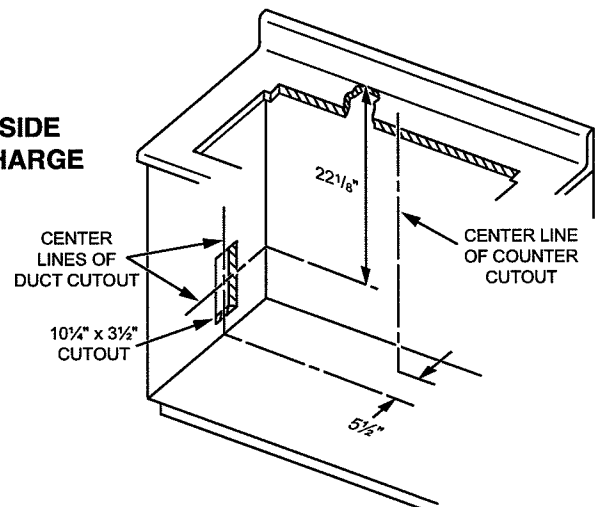


**CAUTION: BEFORE CUTTING HOLE IN CABINET FOR DUCTWORK, check for interference with floor joists, wall studs, electrical wiring, or plumbing.**

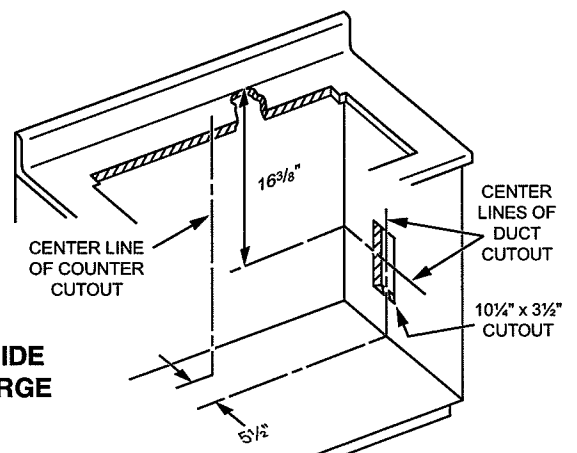
### BOTTOM DISCHARGE



### LEFT SIDE DISCHARGE



### RIGHT SIDE DISCHARGE



## PLAN THE WIRING

1. The Downdraft Blower system draws 4 AMPS and requires a 120 VAC, 60 Hz circuit.
2. The unit has a 18 in. long power cord with a 3-pronged plug. Plan to provide a grounded outlet in a location which will allow the unit's power cord to reach.

### IMPORTANT - LOCATION OF ELECTRICAL OUTLET:

If Model DD1-E30AS is being installed in a 30" wide cabinet...

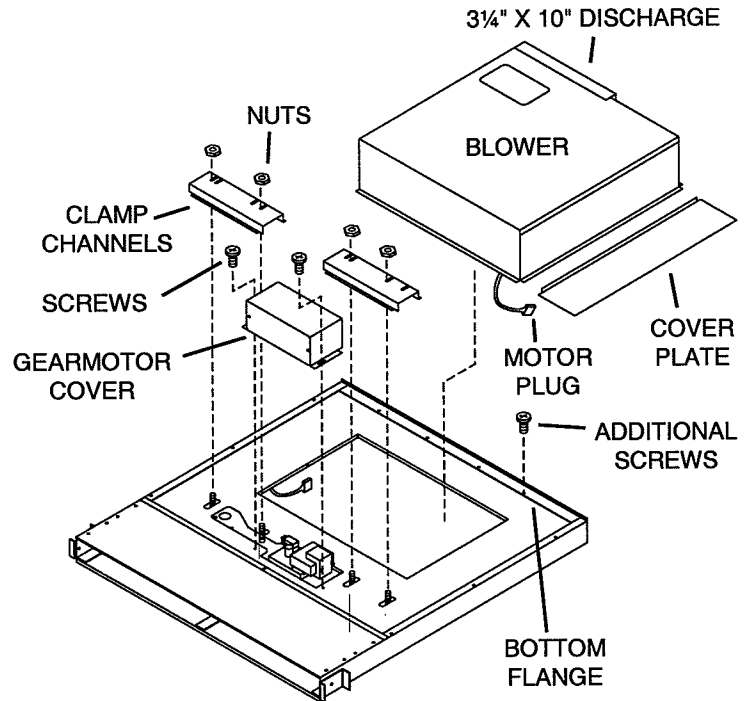
... or Model DD1-E36AS is being installed in a 36" wide cabinet...

... **the outlet cannot be located on the back wall of cabinet.**

In these cases, the width of the downdraft covers nearly the entire width of the back wall of the cabinet. So you must either:

- mount the electrical box to a side wall or cabinet floor, at least 12 inches from the back wall.
- mount the electrical box to a wall stud behind the cabinet, where it will not be covered by the downdraft. Then provide a clearance hole in the back wall of the cabinet.

## PREPARE THE DOWNDRAFT

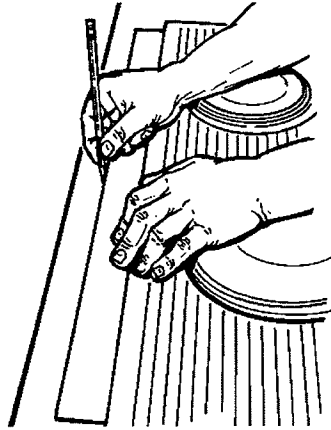


The downdraft is shipped with duct connector pointing toward the bottom of the unit. If you wish to change this orientation, follow the steps below:

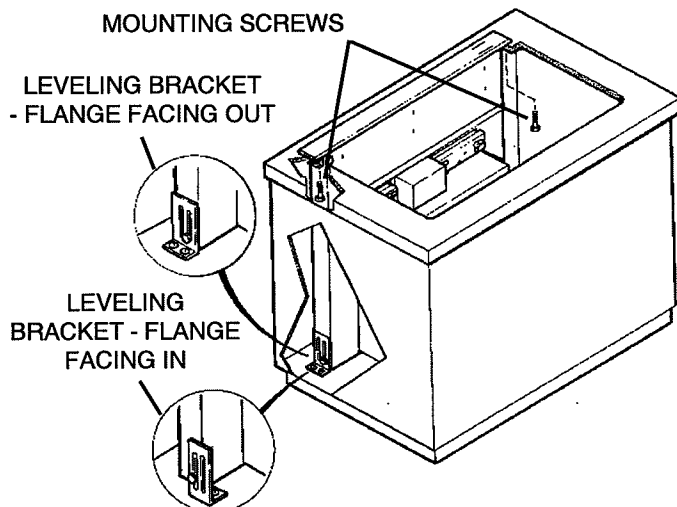
1. Place the downdraft on its back on a table of flat work surface.
2. Remove the **4 nuts** and **2 clamp channels**.
3. Remove **2 screws** and the **gear motor cover**.
4. Carefully position the blower under the **bottom flange** of the downdraft with the **3 1/4" x 10" discharge** pointed in the desired direction.
5. Connect **motor plug**.
6. Replace the gear motor cover and 2 sheet metal screws.
7. Replace the 2 clamp channels and start the 4 nuts, do not tighten.
8. Slide blower left or right to desired position. Use **cover plate** (supplied) to close up any open space.
9. Tighten 4 nuts to secure top of blower. Use **additional screws** (supplied) through bottom flange to secure bottom in blower.

## CUT COUNTERTOP OPENING

1. Lay out and cut the cooktop cut-out far enough FORWARD so downdraft will fit behind it.
2. Set cooktop in place and slide it as far forward as possible. Center and square it with edges of countertop.
3. Place the plastic template against the back flange of the cooktop and center it. Trace around template to mark the downdraft opening.
4. Remove cooktop from countertop.
5. Cut downdraft opening. Be careful not to chip edges of countertop.



## MOUNT THE UNIT

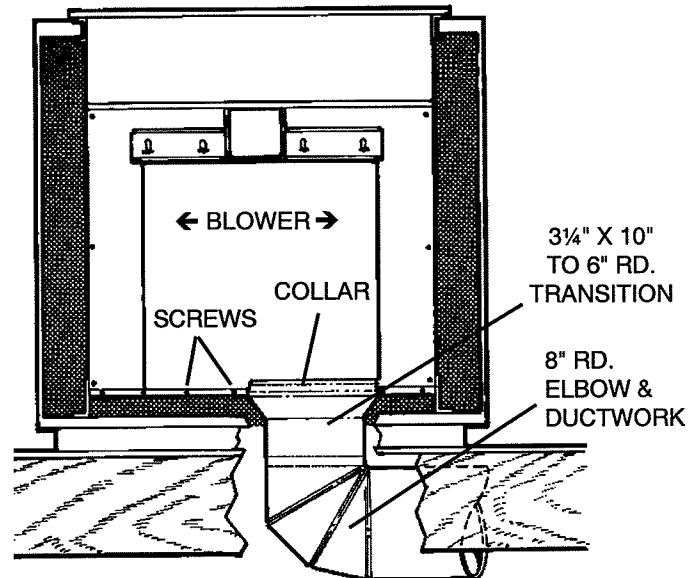


1. Set downdraft into opening. Extend **leveling brackets** to floor of cabinet so downdraft sits straight. (Note: Leveling brackets can be removed and re-attached in other positions. Bottom flange may have to face inward in tight cabinet installations.)
2. Secure the downdraft to the countertop as follows: Hold the downdraft against the back of countertop cut-out and tightening the two **mounting screws** (one on each end of unit) on underside of countertop. Use a wood shim between screw and underside of granite countertops.
3. Screw **leveling brackets** to bottom of cabinet. Tighten screws holding leveling bracket to unit on each side.

## INSTALL DUCTWORK



**CAUTION: BEFORE CUTTING HOLE IN CABINET FOR DUCTWORK, check for interference with floor joists, wall studs, electrical wiring, or plumbing.**



1. Cut hole in cabinet as well as holes in wall or floor as necessary.
2. Mount the roof or wall cap and work back towards the cabinet, attaching all **ductwork, elbows and transitions** as previously planned. Tape all ductwork connections to make them secure and air tight.
3. Connect **ductwork** (and transition, if required) to downdraft. If necessary, **LOOSEN** nuts and **screws** that hold the blower in place, and slide **blower** left or right to meet ductwork. Retighten screws and nuts.

**Note:** A 3 1/4" x 10" collar is provided for installers who prefer to rivet the ductwork to the unit. This will allow blower to be removed and replaced easily in service situations without disturbing ductwork.

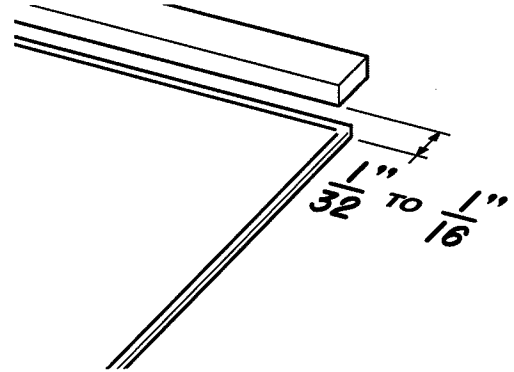
## INSTALL ELECTRICAL WIRING



**CAUTION:** All electrical wiring should be done by a qualified person(s) in accordance with all applicable codes and standards.

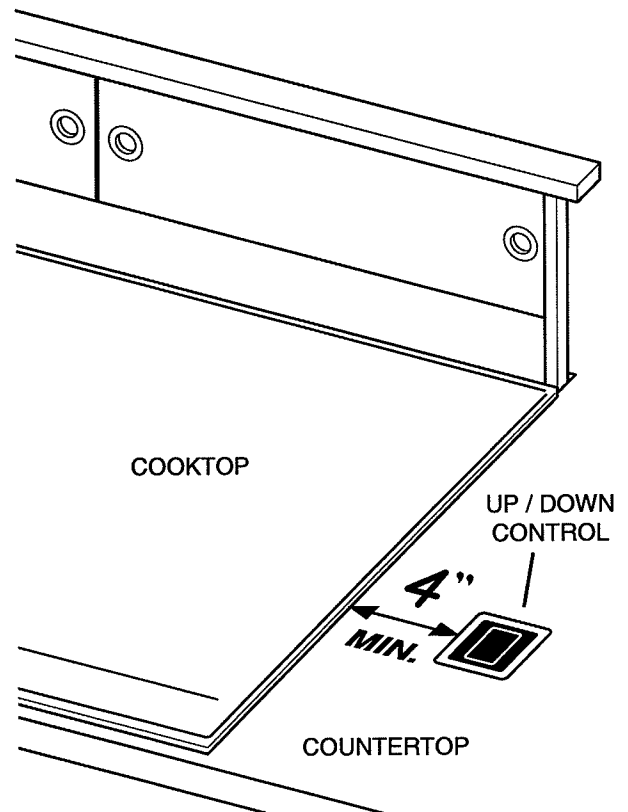
1. Mount a standard wiring box, with 3-pronged receptacle, inside the cabinet. Make sure the downdraft's power cord can easily reach it.
2. Run appropriate power cable into cabinet and connect it to receptacle.
3. Plug the downdraft's power cord into the outlet. Make sure that the power cord is routed away from the heat generated by the cooktop.

## INSTALL COOKTOP



1. Align the cooktop with the downdraft and fasten cooktop in place.

**Note:** Accurate alignment of cooktop and downdraft is necessary to ensure that there is no interference when air vent is raised and lowered. There should be a gap of 1/32" - 1/16" between the back of the cooktop and the front of the downdraft cover.



**Note:**

The downdraft **up/down control** must be mounted into the **countertop**, at least 4" from the cooktop.



## REMOTE UP/DOWN CONTROL INSTALLATION (OPTIONAL)

### When to use the Remote UP/DOWN Control

The Remote UP/DOWN Control should be used when your cooktop has a burner that is within 4 inches of the UP/DOWN Button on the downdraft chimney.

The Remote UP/DOWN Control can be used for convenient UP/DOWN operation of the downdraft chimney (even when a burner is more than 4 inches from the UP/DOWN Button of the downdraft chimney).

### How to use the Remote UP/DOWN Control

Do not place the remote control where it will interfere with cooking, where hot pans could be set, or where hot liquids could be spilled on the control.

The Remote UP/DOWN Control disables the UP/DOWN function of the UP/DOWN Button on the downdraft chimney.

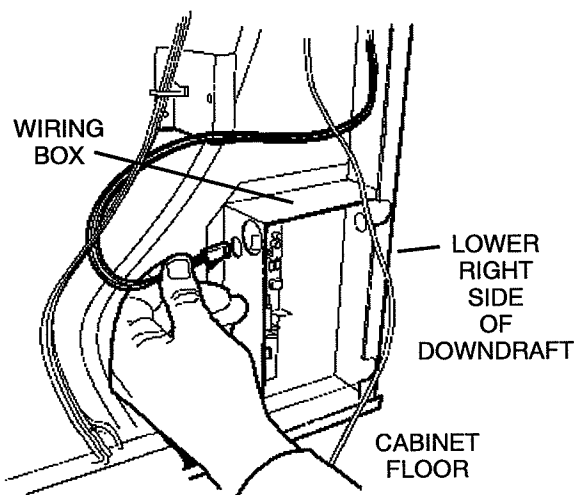
### Installation

1. Using the template at right, lay out the 3-hole pattern on the counter top. Mark the centers of the three holes to be drilled.
2. Carefully drill the three holes through the counter top. Be careful not to damage or chip the counter top surface when drilling the holes.
3. Remove the control from the plastic bag. Line the control up with the three holes and position the control so it is parallel with the front of the counter top.
4. Remove the two nylon thumbnuts from the plastic bag and thread onto the two studs on the control from below the counter top. **Hand tighten only.**

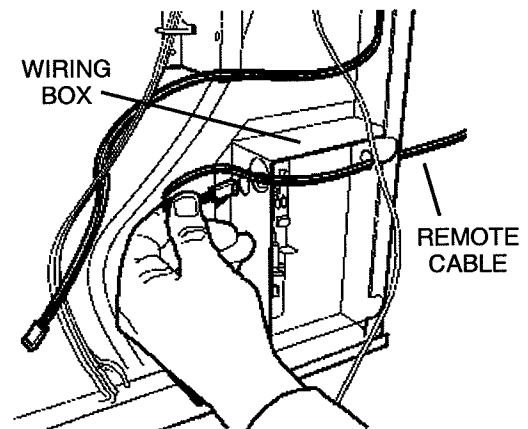
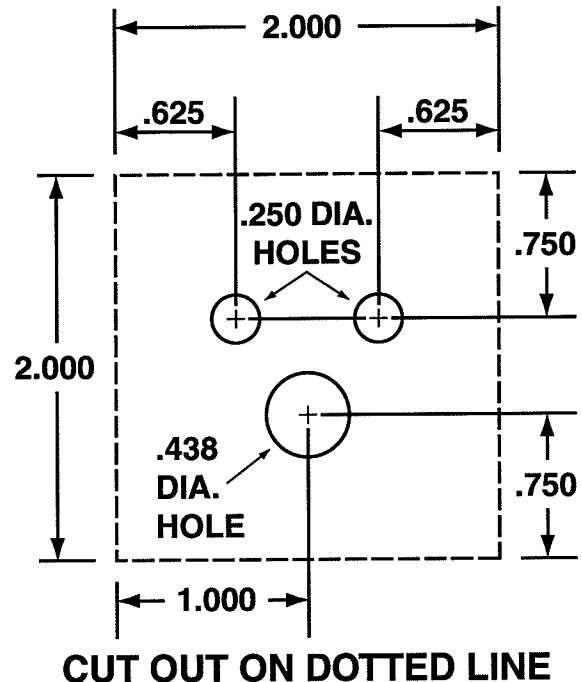


**WARNING:** To reduce the risk of burns or ignition of clothing by reaching across burners, the remote control must be mounted at least 4" away from any cook top burner.

5. Remove the blower, clamp channels, and gearmotor cover from downdraft (see "Prepare the Downdraft" on page 6). Remove the large panel to expose the downdraft's wiring.



6. At the lower right hand corner of downdraft, unplug the cable from the left side of the wiring box.



7. Remove remote cable from the plastic bag and plug into back of control from below counter top. Route cable through cabinet to lower right hand corner of downdraft and through the clearance holes in the side of downdraft and wiring box. Plug cable into circuit board plug, as shown.
8. Stuff excess cable out of the way, secure the cable so it is not damaged by items stored in the cabinet, and reassemble downdraft.

## BACKSIDE OF REMOTE SWITCH TEMPLATE

## USE AND CARE



**WARNING:** Always disconnect electric power supply before cleaning and/or servicing unit.

Always turn the downdraft blower on before you begin cooking to establish an air flow in the kitchen. Let the blower run for a few minutes to clean the air after you turn the cooktop off. This will keep the whole kitchen cleaner and brighter. The activating switch is pressed and the air vent rises.

### **Cleaning**

Use a mild detergent suitable for painted surfaces. DO NOT USE ABRASIVE CLOTH, STEEL WOOL PADS, OR SCOURING POWDERS. Vacuum blower to clean. Do not immerse blower in water.

Wash the 2 aluminum/stainless steel grease filters in a mild detergent solution or a dishwasher. Remove them from the air vent by grasping the tab at the top of each filter.

### **Servicing**

It may be necessary to remove the downdraft blower system from the cabinet in order to service components such as the blower motor or air vent mechanism.

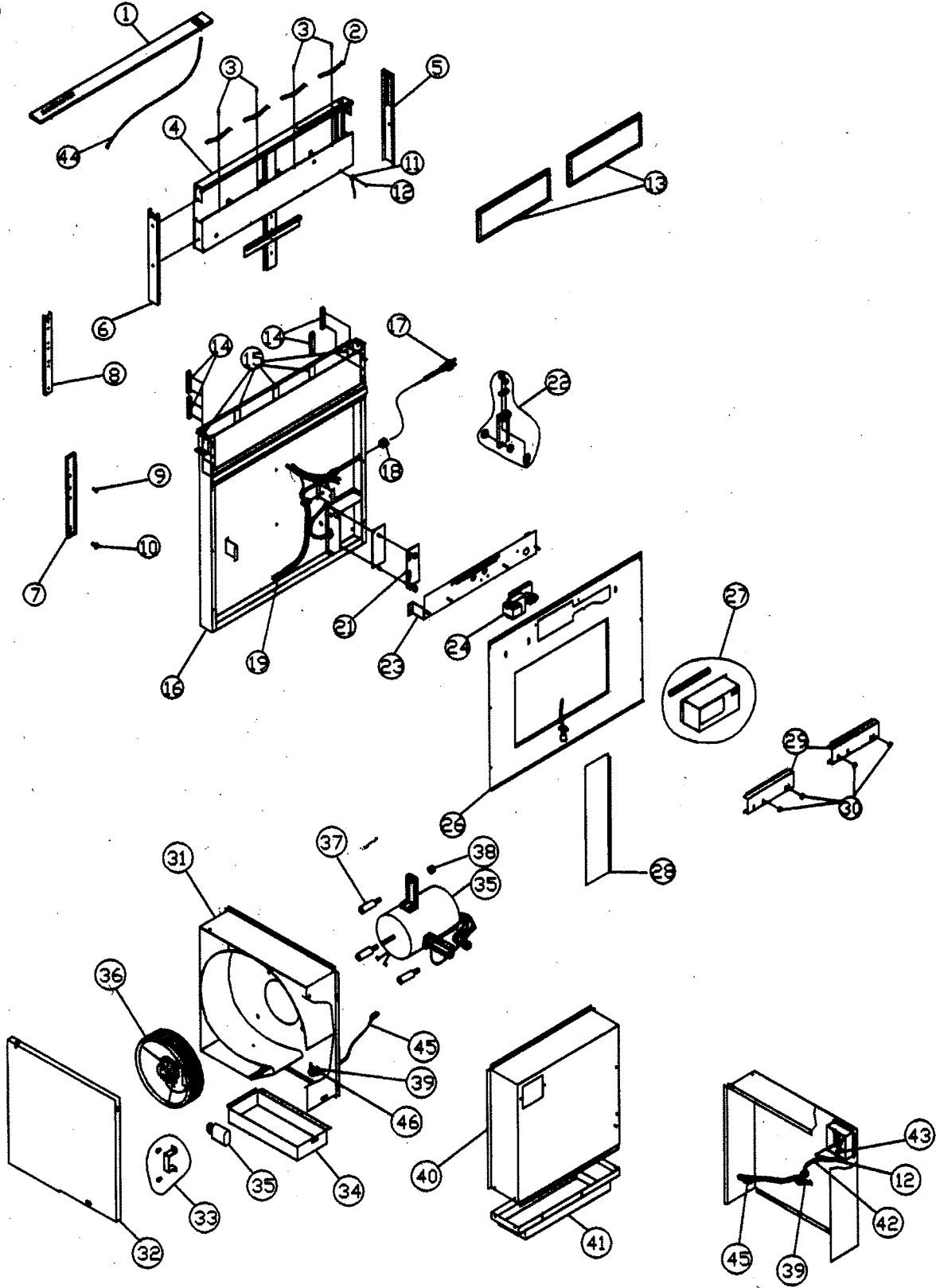
Disconnect power to the cooktop and remove it first. Reverse the steps under "MOUNT THE UNIT" to remove the downdraft from the cabinet.



# SERVICE PARTS

## Sorrento

DD1-E30AS  
DD1-E36AS



## SERVICE PARTS

# Sorrento

DD1-E30AS

DD1-E36AS

Ref #	Part #	Description
1	56210030	Top Cover (30")
1	56210031	Top Cover (36")
2	54140052	Filter Spring
4	50500020	Chimney Assembly (30")
4	50500021	Chimney Assembly (36")
5	50160008	End Cap Right
6	50160009	End Cap Left
7	54140053	Chimney Slide Bracket
8	54140054	Airbox Slide Bracket
9	01100001	Screw, 8-32 x .375
10	01100002	Screw, 8-32 x .500
11	11060001	Ground Wire
12	01110001	Screw, 10-32 x .500
13	50200028	Filter, Metal Mesh (30")
13	50200029	Filter, Metal Mesh (36")
14	54230001	Spacer
15	54190018	Plate, Slide Strip
16	50500022	Airbox Assembly (30")
16	50500023	Airbox Assembly (36")
17	11030039	Cable Set
18	00100018	Strain Relief Bushing
19	11030040	Wire Harness
20	11000030	Switch Assembly
21	11010036	Control Board
22	54260002	Crank Assembly
23	54140055	Gear Motor Bracket
24	12130021	Gear Motor Assembly (30")
24	12130022	Gear Motor Assembly (36")
26	56200059	Front Airbox, Bottom (30")
26	56200060	Front Airbox, Bottom (36")
27	56210032	Gear Motor Cover (30")
27	56210033	Gear Motor Cover (36")
28	56210034	Airbox Opening Cover
29	54140056	Airbox Bracket
30	03050001	Whiz Nut, 10-24
31	56100018	Housing, Motor Assembly

32	56210035	Cover, Motor Housing
33	54140057	Capacitor Bracket
34	54050064	Collar, Motor Assembly Housing
35	12120056	Motor w/Capacitor
36	54250020	Blower Wheel
37	50410008	Motor Mount Isolator
38	03050002	Whiz Nut, 1/4 - 20
39	11050004	Thermostat
40	54190019	Adaptor Plate
41	54190020	Outlet Plate
42	11030041	Wire Harness, Adaptor Plate
43	00100019	Strain Relief Bushing, Adaptor Plate
44	11030042	Up/Down Button Harness
45	11030043	Thermostat Wire Harness
46	54140058	Thermostat Mounting Bracket

FEB08.0101

# ZEPHYR

## Limited Warranty

**STAPLE YOUR RECEIPT HERE**  
**Proof of the original purchase**  
**date is needed to obtain**  
**service under warranty**

**TO OBTAIN SERVICE UNDER WARRANTY OR FOR ANY SERVICE RELATED QUESTIONS, please call:**  
**1-888-880-8368**

Zephyr Corporation (referred to herein as “we” or “us”) warrants to the original consumer purchaser (referred to herein as “you” or “your”) of Zephyr products (the “Products”) that such Products will be free from defects in materials or workmanship as follows:

**Two Year Limited Warranty for Parts:** For two years from the date of your original purchase of the Products, we will provide, free of charge, Products or parts to replace those that failed due to manufacturing defects. We may choose, in our sole discretion, to repair or replace parts before we elect to replace the Products.

**One Year Limited Warranty for Labor:** For one year from the date of your original purchase of the Products, we will provide, free of charge, the labor cost associated with repairing the Products or parts to replace those that failed due to manufacturing defects. After the first year from the date of your original purchase, you are responsible for all labor costs associated with this warranty.

**Warranty Exclusions:** This warranty covers only repair or replacement, at our option, of defective Products or parts and does not cover any other costs related to the Products including but not limited to: (a) normal maintenance and service required for the Products and consumable parts such as light bulbs, metal and carbon filters and fuses; (b) any Products or parts which have been subject to freight damage, misuse, negligence, accident, faulty installation or installation contrary to recommended installation instructions, improper maintenance or repair (other than by us); (c) commercial use of the Products or use otherwise inconsistent with its intended purpose; (d) natural wear of the finish of the Products or wear caused by improper maintenance, use of corrosive and abrasive cleaning products, pads, and oven cleaner products; (e) chips, dents or cracks caused by abuse or misuse of the Products; (f) service trips to your home to teach you how to use the Products; or (g) damage to the Products caused by accident, fire, floods or act of God. If you are outside our service area, additional charges may apply for shipping costs for warranty repair at our designated service locations and for the travel cost to have a service technician come to your home to repair, remove or reinstall the Products. After the first year from the date of your original purchase, you are also responsible for all labor costs associated with this warranty.

**Limitations of Warranty. OUR OBLIGATION TO REPAIR OR REPLACE, AT OUR OPTION, SHALL BE YOUR SOLE AND EXCLUSIVE REMEDY UNDER THIS WARRANTY. WE SHALL NOT BE LIABLE FOR INCIDENTAL, CONSEQUENTIAL OR SPECIAL DAMAGES ARISING OUT OF OR IN CONNECTION WITH THE USE OR PERFORMANCE OF THE PRODUCTS. THE EXPRESS WARRANTIES IN THE PRECEDING SECTION ARE EXCLUSIVE AND IN LIEU OF ALL OTHER EXPRESS WARRANTIES. WE HEREBY DISCLAIM AND EXCLUDE ALL OTHER EXPRESS WARRANTIES FOR THE PRODUCTS, AND DISCLAIM AND EXCLUDE ALL WARRANTIES IMPLIED BY LAW, INCLUDING THOSE OF MERCHANTABILITY AND FITNESS FOR A PARTICULAR PURPOSE.** Some states or provinces do not allow limitations on the duration of an implied warranty or the exclusion or limitation of incidental or consequential damages, so the above limitations or exclusions may not apply to you. To the extent that applicable law prohibits the exclusion of implied warranties, the duration of any applicable implied warranty is limited to the same two-year period described above. Any oral or written description of the Products is for the sole purpose of identifying the Products and shall not be construed as an express warranty. Prior to using, implementing or permitting use of the Products, you shall determine the suitability of the Products for the intended use, and you shall assume all risk and liability whatsoever in connection with such determination. We reserve the right to use functionally equivalent refurbished or reconditioned parts or Products as warranty replacements or as part of warranty service. This warranty is not transferable from the original purchaser and applies in the United States and Canada.

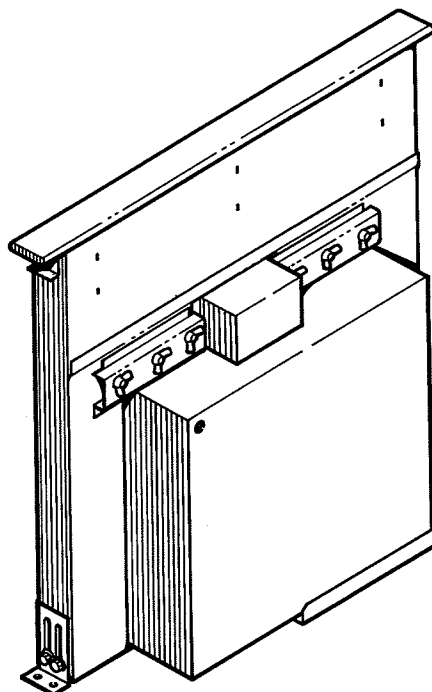
**To Obtain Service Under Limited Warranty:** To qualify for warranty service, you must: (a) notify us at the address or telephone number stated below within 60 days of the discovery of the defect; (b) give the model number and part identification number and serial number; and (c) describe the nature of any defect in the Product or part. At the time of the request for warranty service, you must present evidence of your proof of purchase and proof of the original purchase date. If we determine that the warranty exclusions listed above apply or if you fail to provide the necessary documentation to obtain service, you will be responsible for all shipping, travel, labor and other costs related to the services.

**Zephyr Corporation, Service Department, 395 Mendell Street, San Francisco, CA 94124 1-888-880-8368**

### Sorrento

DD1-E30AS

DD1-E36AS



N° de modèle : \_\_\_\_\_

N° de série : \_\_\_\_\_

Date d'achat : \_\_\_\_\_

Concessionnaire : \_\_\_\_\_

MODÈLE	LARGEUR	VENTILATEUR
DD1-E30AS	30"	500 pcm
DD1-E36AS	36"	500 pcm



**AVERTISSEMENT** – Pour réduire les risques de brûlure ou que des vêtements s'enflamment en traversant les brûleurs, une hotte de modèle la télécommande **DOIT** être installée à au moins 4" des brûleurs de la cuisinière. Consultez les instructions à la page 8 "INSTALLATION DE LA SURFACE DE CUISSON".

## LIRE ET CONSERVER CES INSTRUCTIONS

### AVERTISSEMENT



**AFIN DE DIMINUER LES RISQUES D'INCENDIE, D'ÉLECTROCUTION OU DE BLESSURES, SUIVEZ CES DIRECTIVES:**

- Utilisez ce produit en suivant les recommandations du fabricant. Pour toute question, contactez le fabricant à l'adresse ou au numéro de téléphone indiqués dans la garantie.
- Avant de réparer ou de nettoyer cette hotte, coupez le courant au panneau d'alimentation et verrouillez-en l'accès afin d'éviter que le courant ne soit accidentellement remis en fonction. S'il vous est impossible de le verrouiller, apposez un indicateur voyant sur le panneau comme, par exemple, une étiquette de couleur vive.
- L'installation de la hotte ainsi que le câblage électrique doivent être effectués par une ou des personnes compétentes selon les normes et les règles en vigueur, incluant celles qui régissent la prévention des incendies.
- Une circulation d'air efficace est requise afin d'assurer la combustion et l'évacuation complète des gaz par le tuyau d'évacuation (cheminée) des équipements à combustion et pour prévenir les retours d'air. Conformez-vous aux normes et mesures de sécurité pour les fabricants d'appareils de chauffage publiées par la "National Fire Protection Association (NFPA)" et par la "American Society for Heating, Refrigeration and Air Conditioning Engineers (ASHRAE)", ainsi qu'aux normes en vigueur dans votre région.
- Lorsque vous coupez ou percez un mur ou un plafond, prenez garde d'endommager les fils électriques ou autres installations qui pourraient y être dissimulés.
- Les installations ventilées doivent toujours être reliées à des conduits rejetant l'air à l'extérieur.
- Afin de diminuer les risques d'incendie, n'utilisez que des conduits de ventilation en métal.
- Ne pas installer ce produit en plaçant le commutateur directement derrière un brûleur ou un élément. La distance entre le commutateur et le bord du brûleur doit être au minimum de 4".
- Ne pas porter de vêtements amples ou accrochants lors de l'utilisation de cet appareil. Ils pourraient s'enflammer au contact de l'un des brûleurs ou des éléments de la cuisinière.
- Ne jamais laisser un enfant seul ou sans surveillance à proximité de cet appareil lors de son utilisation.
- Ce ventilateur doit être relié à une mise à la terre.

**AFIN DE DIMINUER LES RISQUES D'INCENDIE POUVANT SE DÉCLANCHER SUR LA SURFACE DE CUISSON:**

- Ne jamais laisser sans surveillance des unités de surface réglées à feu vif. En plus de générer de la fumée, les débordements de graisse peuvent prendre feu. Chauffer les huiles lentement à feu doux ou moyen.
- Toujours mettre en marche la hotte durant la cuisson à feu vif ou la cuisson d'aliments à flamber.
- Nettoyer régulièrement les ventilateurs d'aération. On ne doit tolérer aucune accumulation de graisse sur le ventilateur ou sur le filtre.
- Utiliser une casserole de grosseur appropriée. Toujours utiliser une batterie de cuisine proportionnelle à l'élément de surface.

**NOTE: Modèle DDA-0001 Télécommande haut/bas vendu séparément.**

**INSTALLATEUR: Remettez ce manuel au propriétaire de maison et électrique inspecteur.**

### AVERTISSEMENT



**AFIN DE DIMINUER LES RISQUES DE BLESSURES POUVANT SURVENIR LORSQU'UN FEU SE DÉCLENCHE SUR LA SURFACE DE CUISSON, SUIVEZ CES DIRECTIVES:**

- ÉTOUFFEZ LES FLAMMES avec un couvercle hermétique, une tôle à biscuits ou un plateau en métal puis éteignez la cuisinière. PRENEZ GARDE AUX BRÛLURES. Si vous ne parvenez pas à éteindre immédiatement les flammes, ÉVACUEZ LES LIEUX ET CONTACTEZ VOTRE POSTE LOCAL DE LUTTE CONTRE LES INCENDIES.
- NE VOUS EMPAREZ JAMAIS D'UN PLAT QUI S'EST ENFLAMMÉ – Vous risqueriez de vous brûler.
- N'UTILISEZ JAMAIS D'EAU, incluant les linges à vaisselles ou serviettes mouillés car cela peut provoquer une violente explosion de vapeur.
- Utilisez un extincteur SEULEMENT si:
  - Il s'agit d'un extincteur de classe ABC et que vous savez comment vous en servir.
  - Il s'agit d'un petit feu qui ne se propage pas ailleurs que sur la cuisinière.
  - Vous avez appelé votre poste local de lutte contre les incendies.
  - Vous pouvez combattre le feu tout en ayant accès à une sortie.

\* Basé sur "Kitchen Fire Safety Tips" édité par NFPA.

### ATTENTION



- Pour ventilation générale seulement. Ne l'utilisez pas pour évacuer les vapeurs ou matériaux dangereux ou que peuvent exploser.
- Pour éviter d'endommager les coussinets du moteur et des turbines bruyantes et/ou mal équilibrées, assurez que l'unité motrice est exempte de poussière provenant des murs en pierres sèches et la construction.
- Nettoyer souvent les filtres et les surfaces grasses.
- Ne réparer ou remplacer que les pièces recommandées dans ce manuel. Toute autre réparation doit être confiée à un technicien qualifié.
- Veillez lire l'étiquette de spécifications sur le produit pour d'autres renseignements et exigences.

MODÈLE	LARGEUR	VENTILATEUR
DD1-E30AS	30"	500 pcm
DD1-E36AS	36"	500 pcm



## CARACTÉRISTIQUES

### BOÎTIER :

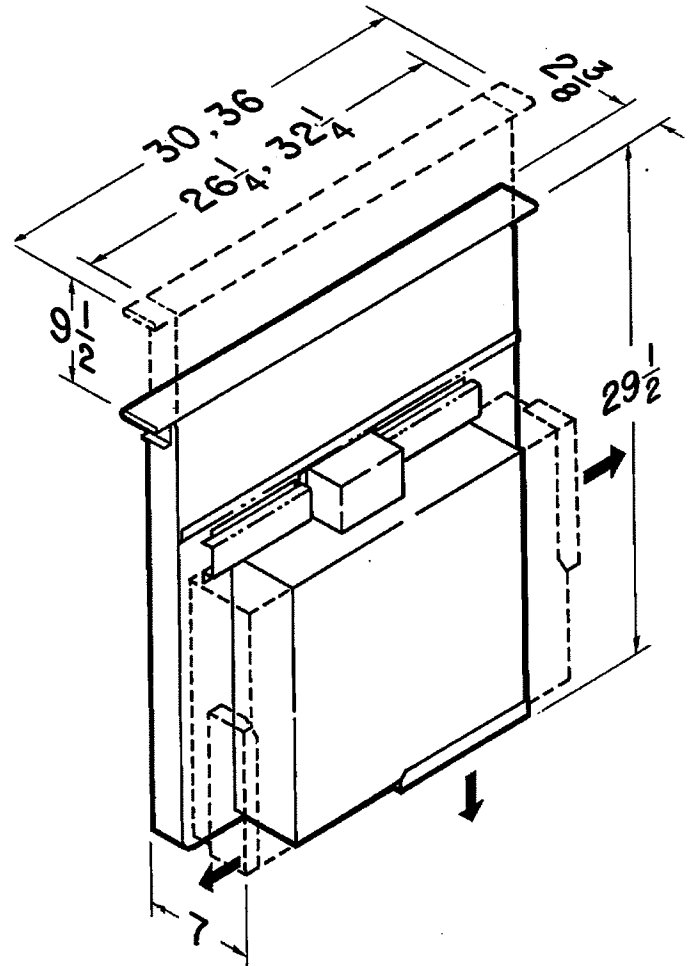
- Construction robuste en acier
- Fini peint couleur argent
- Faible encombrement - s'utilise avec la plupart des surfaces de cuisson
- 30" ou 36" de largeur - convient aux armoires de dimension standard

### VENTILATEUR :

- Roue à ailettes centrifuge à équilibrage dynamique de 9-1/8" de diamètre x 2-1/8" pour un rendement efficace et silencieux
- Moteur lubrifié en permanence à protection thermique
- Supports de montage antivibration résistants, en néoprène
- L'appareil se branche directement dans une prise de courant 120 VCA, 60 HZ, avec mise à la terre
- Utilise un raccord de conduit standard de 3-1/4" x 10"
- Évacuation à 3 positions - boîte de défilement mobile pour s'adapter aux solives du plancher

### ENSEMBLE DE CHEMINÉE :

- Dessus en acier inoxydable brossé - il suffit d'un seul bouton pour mettre le ventilateur en marche
- La cheminée s'élève de 9-1/2" une fois actionnée - idéal pour les grandes poêles et casseroles
- Filtres stylisés et décoratifs en treillis métallique - faciles à retirer et lavables au lave-vaisselle.
- Avant et arrière de la cheminée en acier inoxydable - se nettoient rapidement et facilement
- Commande de régime rotative infinie, montée au ras de la surface
- Sonde automatique de la chaleur qui détecte toute chaleur excessive et augmente le régime automatiquement
- Bouton situé à un endroit pratique - appuyez pour abaisser la cheminée et éteindre l'appareil
- Une télécommande offerte en OPTION (Modèle DDA-0001) actionne la hotte encastrée d'un autre endroit



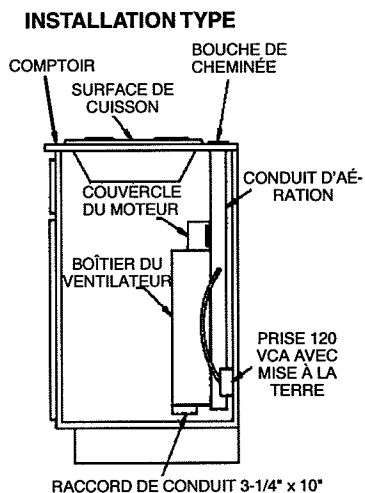
## CARACTÉRISTIQUES

VOLTS	AMPÈRES	PI <sup>3</sup> /MIN	CONDUIT
120	4.0	500	3-1/4" x 10"



L'homologation HVI2100 est conforme aux nouvelles techniques et procédures d'essai prescrites par le Home Ventilating Institute pour les produits d'emploi courant, dès leur disponibilité pour les consommateurs. Le rendement du produit est évalué à une pression statique de 0,1 po, d'après les tests effectués dans un laboratoire d'essai ultra-perfectionné. Le sone est une mesure de la perception humaine de la puissance sonore, d'après des mesures effectuées en laboratoire.

## PRÉPARATION



Ce ventilateur encastré est conçu pour évacuer les contaminants de l'air lors de l'utilisation d'une surface de cuisson au gaz ou électrique. Il peut être installé dans un îlot, une péninsule ou un comptoir conventionnel appuyé contre un mur.

Pour l'installation, procédez simplement comme suit :

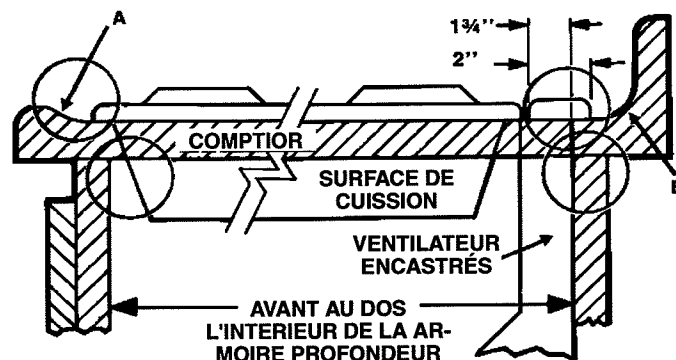
- Découpez l'ouverture dans le comptoir.
- Installez l'appareil dans l'armoire.
- Raccordez les conduits et effectuez les connexions électriques.
- Installez la surface de cuisson.

### SPÉCIFICATIONS ÉLECTRIQUES

120 VCA • 60 Hz • 4,0 A

**Remarque :** Le débit d'air élevé de cet appareil peut affecter la flamme de certaines surfaces de cuisson au gaz. Cet effet est NORMAL et inoffensif, mais il peut être corrigé en réduisant la vitesse de la soufflerie.

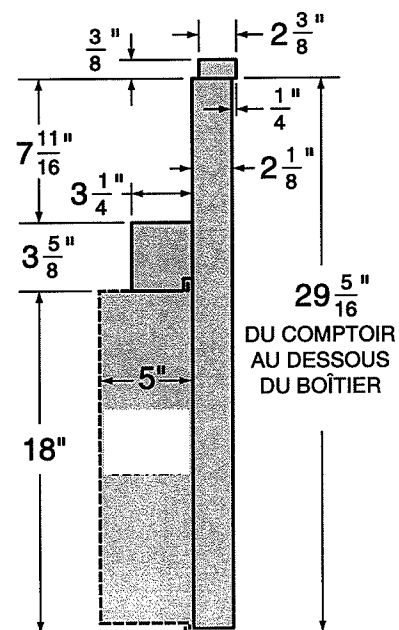
## PRISE DES MESURES



1. Consultez les instructions d'installation pour connaître les dimensions de la surface de cuisson, du découpage à effectuer dans le comptoir et les exigences pour l'armoire. Le modèle DD1-E30AS s'insèrent dans la plupart des armoires de 30" de largeur, le modèle DD1-E36AS dans la plupart des armoires de 36" de largeur. Il est cependant recommandé d'utiliser des armoires plus grandes pour faciliter l'installation.
2. La profondeur des surfaces de cuisson peut varier beaucoup d'un modèle à l'autre. Il est possible que l'installation des deux appareils soit particulièrement serrée.

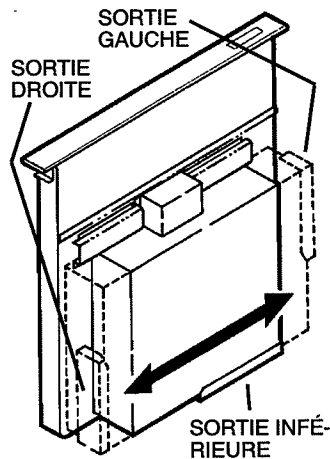
Faites particulièrement attention aux points encerclés ci-contre pouvant nuire éventuellement. Un comptoir à rebord surélevé (A) ou à dosseret arrondi (B) risque de ne pas offrir une surface plate suffisamment grande pour permettre une installation adéquate. Une surface plate de 2" est nécessaire derrière la plaque de cuisson et une distance de 1-3/4" est requise entre l'arrière de la plaque de cuisson et le fond de l'armoire.

### VUE DE CÔTÉ DE LA HOTTE



## PRÉPARATION DES CONDUITS

1. Le ventilateur encastré intérieur est conçu pour des conduits de 3-1/4" x 10" (ou transformés en conduits ronds de 6"). Il existe trois directions possibles pour la sortie avec un ajustement latéral pour un parfait alignement du conduit.
2. Pour un rendement optimal : Choisissez pour les conduits le trajet le plus court possible avec un minimum de coudes et de transitions. Assurez-vous que les solives du plancher, les montants des murs, les câbles électriques et les tuyaux de nuisent pas.
3. L'évacuation est plus efficace lorsque les conduits ne dépassent pas 40 pi de longueur ou l'équivalent. L'illustration ci-dessus indique l'équivalent en longueur d'un coude rond de 10". La longueur des conduits droits plus l'équivalent pour les coudes ne doit pas excéder 40 pi.



<p>COUDE DE 6" ROND</p> <p>ÉGALE UN CONDUIT DROIT DE 8 PI</p>	<p>TRANSITION DE 3-1/4" x 10" À 6" ROND</p> <p>ÉGALE UN CONDUIT DROIT DE 2 PI</p>	<p>COUDE À 90° DE 3-1/4" x 10"</p> <p>ÉGALE UN CONDUIT DROIT DE 14 PI</p>
---	---	---

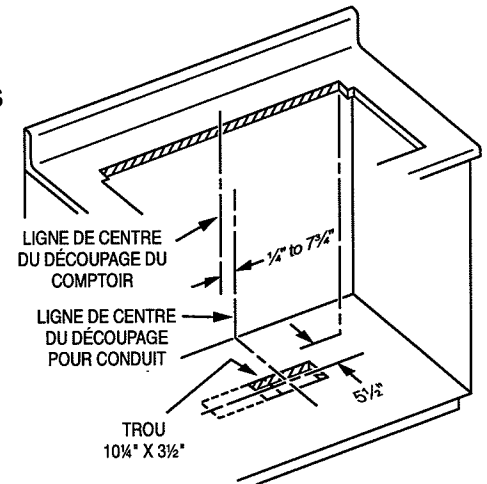
**REMARQUE :** L'équivalent en longueur pour les chapeaux de toit et de mur a été pris en considération. Ne pas inclure ces éléments dans votre calcul.

## PRÉPARATION DU DÉCOUPAGE DE L'ARMOIRE

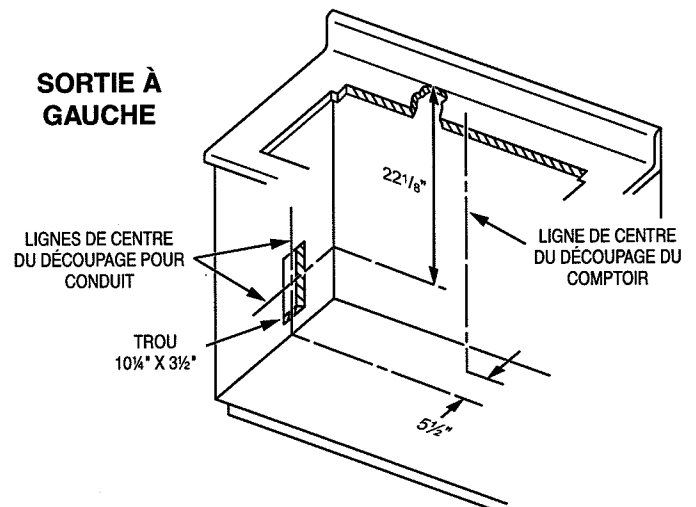


**ATTENTION :** AVANT DE DÉCOUPER L'ARMOIRE POUR LES CONDUITS, assurez-vous que les solives du plancher, les montants des murs, les câbles électriques et les tuyaux de nuisent pas.

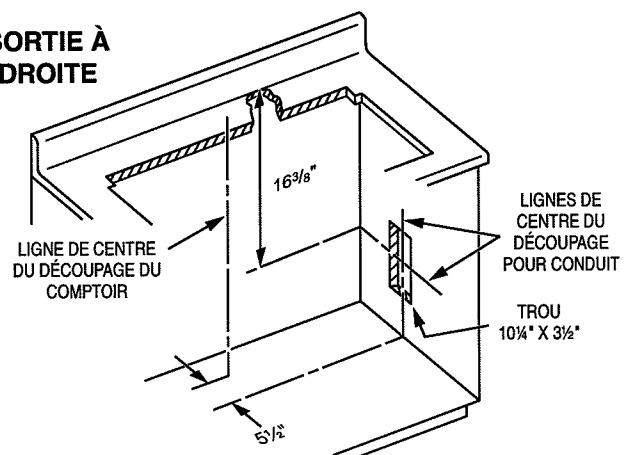
### SORTIE VERS LE BAS



### SORTIE À GAUCHE



### SORTIE À DROITE



## PRÉPARATION DU CÂBLAGE

1. Le ventilateur encastré intérieur consomme 4 AMPÈRES et nécessite un circuit de 120 VCA, 60 Hz.
2. L'unité est munie d'un cordon électrique de 18" avec une fiche à trois broches. Prévoyez l'installation d'une prise avec mise à la terre à un endroit permettant le branchement du cordon.

### IMPORTANT – POSITION DE LA PRISE ÉLECTRIQUE :

Si le modèle DD1-E30AS est installé dans une armoire de 30" de largeur...

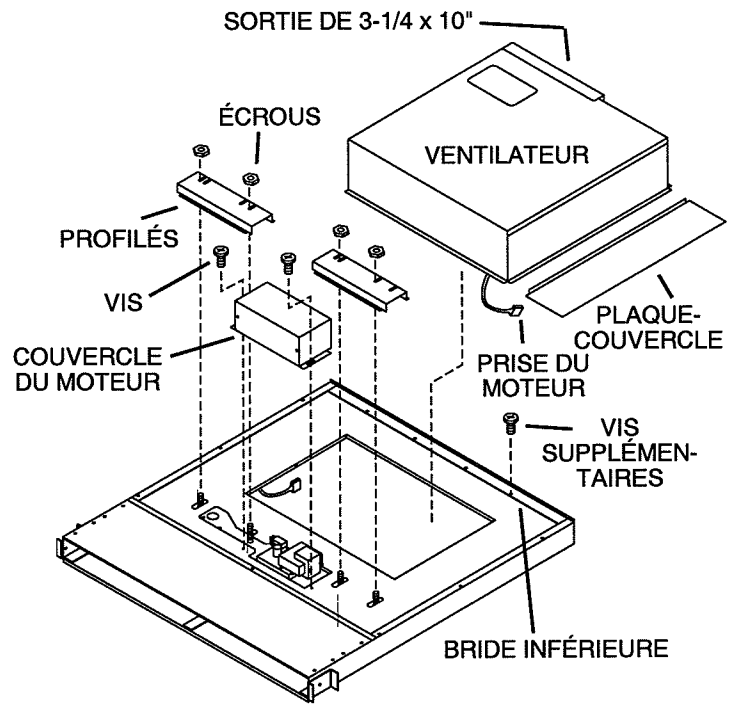
... ou le modèle DD1-E36AS est installé dans une armoire de 36" de largeur...

... la prise ne peut pas être fixée au fond de l'armoire.

Dans ce cas, le boîtier de la hotte occupe presque toute la largeur de l'armoire. Vous pouvez alors :

- installer la prise électrique sur les côtés ou sur le plancher de l'armoire – à au moins 12" du fond.
- installer la prise électrique sur un montant du mur derrière l'armoire – à un endroit où elle ne sera pas masquée par la hotte, puis percer un trou d'accès dans le fond de l'armoire.

## PRÉPARATION DE LA HOTTE

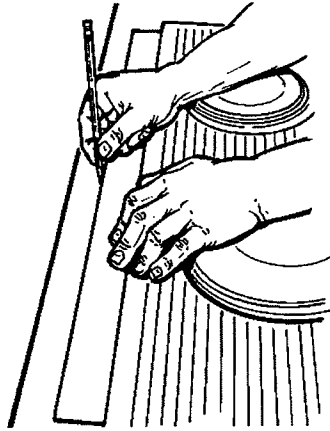


Ce ventilateur encastré est transporté avec le raccord de conduit se dirige vers le fond de l'unité. Si vous souhaitez changer cette orientation, suivez les étapes ci-dessous.

1. Placez la hotte sur le dos sur une table ou une surface de travail droite.
2. Enlevez les 4 écrous et les 2 profilés.
3. Enlevez les 2 vis et le couvercle du moteur.
4. Placez soigneusement le ventilateur sous la bride inférieure de la hotte, la sortie de 3 1/4" x 10" tournée dans la direction souhaitée.
5. Branchez la prise du moteur.
6. Remplacez le couvercle du moteur et les 2 vis à métal.
7. Remplacez les 2 profilés et engagez les 4 écrous, sans serrer.
8. Glissez le ventilateur à gauche ou à droite à la position souhaitée. Utilisez la plaque-couvercle (fournie) pour fermer toute ouverture inutile.
9. Serrez les 4 écrous pour fixer le dessus du ventilateur. Utilisez les vis supplémentaires (fournies) dans la bride inférieure pour fixer le bas du ventilateur.

## DÉCOUPAGE DU COMPTOIR

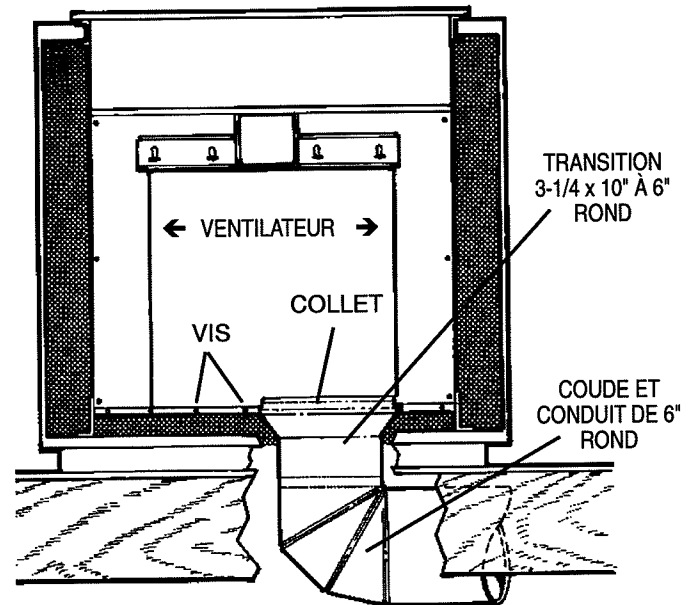
1. Tracer et découper la forme de la table de cuisson dans le comptoir, suffisamment vers l'AVANT afin de pouvoir insérer le conduit vertical derrière elle.
2. Insérer la table de cuisson et la glisser vers l'avant aussi loin que possible. Centrer l'appareil et le placer d'équerre avec le bord du comptoir.
3. Placer le gabarit de plastique contre le rebord arrière de la table de cuisson tout en le centrant correctement. Tracer le contour du gabarit afin de marquer l'ouverture du conduit vertical.
4. Retirer la table de cuisson du comptoir.
5. Découper l'ouverture du conduit vertical en prenant garde de ne pas ébrécher le rebord du comptoir.



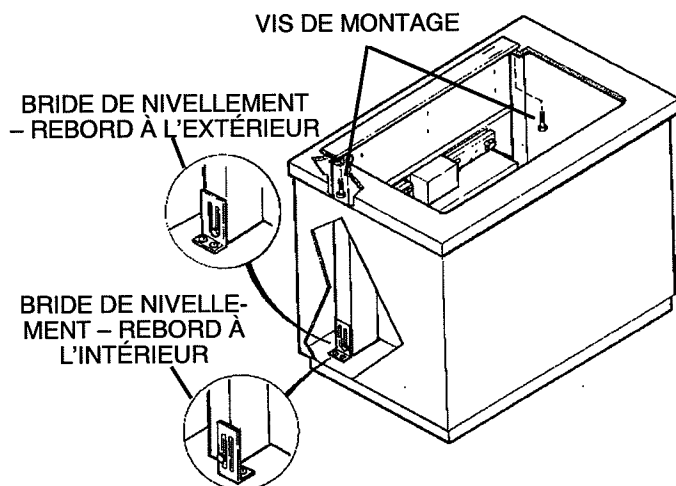
## INSTALLATION DES CONDUITS



**ATTENTION : AVANT DE DÉCOUPER L'ARMOIRE POUR LES CONDUITS, assurez-vous que les solives du plancher, les montants des murs, les câbles électriques et les tuyaux de nuisent pas.**



## INSTALLATION DE L'UNITÉ



1. Placez la hotte dans l'ouverture. Allongez les **brides de nivellement** jusqu'au plancher de l'armoire afin que la hotte s'appuie bien droite. (Remarque : vous pouvez enlever les brides de nivellement et les fixer dans une autre position. La bride inférieure peut être retournée vers l'intérieur si les dimensions de l'armoire sont très justes.)
2. Fixez la hotte au comptoir comme suit : tenez la hotte contre l'arrière de l'ouverture du comptoir et serrez les deux **vis de montage** (à chaque bout de l'appareil) sous le comptoir. Utilisez une cale de bois entre la vis et le dessous des comptoirs de granite.
3. Vissez les **brides de nivellement** au plancher de l'armoire. Serrez les vis en maintenant la bride de chaque côté de l'unité.

1. Découpez les trous dans l'armoire, le mur ou le plancher.
2. Installez le chapeau de toit ou de mur et travaillez en progressant vers l'armoire. Installez tous les **conduits, coudes et transitions** tel que prévu. Recouvrez tous les joints de ruban adhésif pour qu'ils soient parfaitement étanches.
3. Raccordez le **conduit** (et la transition, si nécessaire) à la hotte. Au besoin, **DESSERREZ** les écrous et les **vis** qui maintiennent le ventilateur, et **glissez-le** à gauche ou à droite pour l'aligner avec le conduit. Resserrez les vis et les écrous.

**Remarque :** Un **collet de 3/4" x 10"** est offert aux installateurs qui préfèrent riveter les conduits à l'appareil. Cette pièce permet d'enlever le ventilateur et de le remonter facilement à des fins d'entretien sans déranger les conduits.

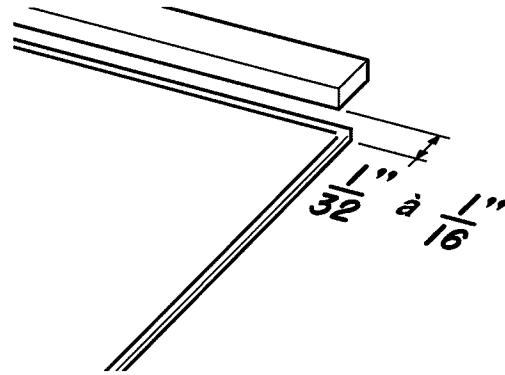
## CÂBLAGE ÉLECTRIQUE



**ATTENTION :** Le câblage doit être effectué par un électricien qualifié conformément aux codes et aux normes en vigueur.

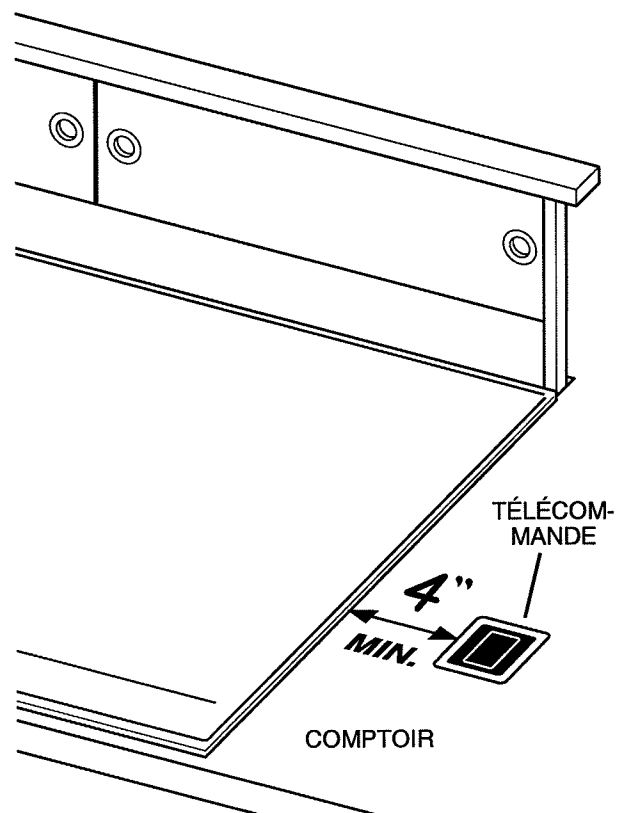
1. Installez une boîte électrique standard avec une prise à trois broches dans l'armoire. Vérifiez que le cordon électrique de la hotte puisse facilement l'atteindre.
2. Acheminez le câble d'alimentation jusqu'à l'armoire et raccordez-le à la prise.
3. Branchez le cordon électrique de la hotte dans la prise. Assurez-vous que le cordon est loin de la chaleur dégagée par la surface de cuisson.

## INSTALLATION DE LA SURFACE DE CUISSON



1. Alignez la surface de cuisson avec la hotte et fixez-la en place.

**Remarque :** Il est nécessaire de bien aligner la cuisinière et la hotte afin d'éviter toute obstruction au moment de relever ou d'abaisser le conduit d'aération. Un jeu de 1/32 à 1/16" est nécessaire entre l'arrière de la surface de cuisson et l'avant du couvercle de la hotte.



**Remarque :** La télécommande doit être montée dans le comptoir à au moins 4" des éléments ou brûleurs.

## INSTALLATION DE LA TÉLÉCOMMANDE HAUT/BAS (FACULTATIF)

### Quand utiliser la télécommande HAUT/BAS

Vous devez utiliser la télécommande HAUT/BAS si votre surface de cuisson comporte un brûleur situé à moins de 4" du bouton HAUT/BAS de la cheminée d'évacuation.

La télécommande HAUT/BAS peut être utilisée par commodité pour actionner le mouvement HAUT/BAS de la cheminée (même si les brûleurs sont situés à plus de 4" du bouton HAUT/BAS de la cheminée d'évacuation).

### Comment utiliser la télécommande HAUT/BAS

Ne placez pas la télécommande à un endroit où elle pourrait gêner les travaux culinaires, là où vous déposez des chaudrons chauds ou à un endroit où des liquides chauds risquent de l'éclabousser.

La télécommande HAUT/BAS désactive la fonction HAUT/BAS du bouton HAUT/BAS de la cheminée d'évacuation.

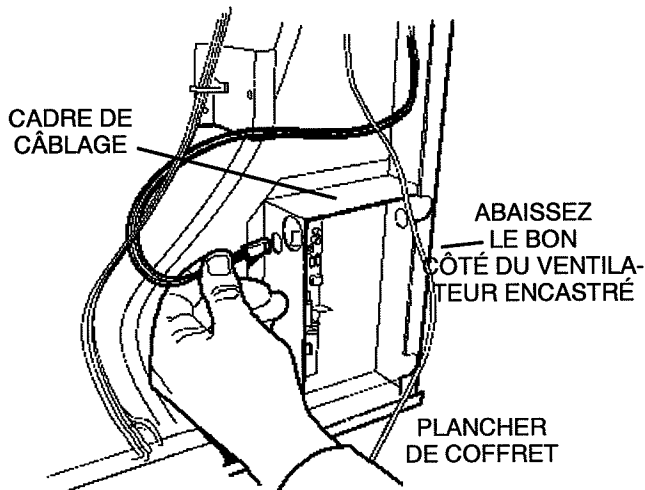
### Installation

1. À l'aide du gabarit de droite, disposez les 3 trous sur le comptoir de cuisine. Marquez les centres des trois trous à percer.
2. Percez soigneusement les trous au travers du comptoir. Prenez garde de ne pas abîmer ou écailler la surface lors du perçage.
3. Sortez la télécommande du sachet de plastique. Alignez la télécommande avec les trois trous en vous assurant qu'elle est parallèle avec le devant du comptoir.
4. Sortez du sachet les deux écrous à oreilles en nylon et vissez-les sur les deux tiges filetées de la télécommande, sous le comptoir. **Ne les serrez qu'à la main.**

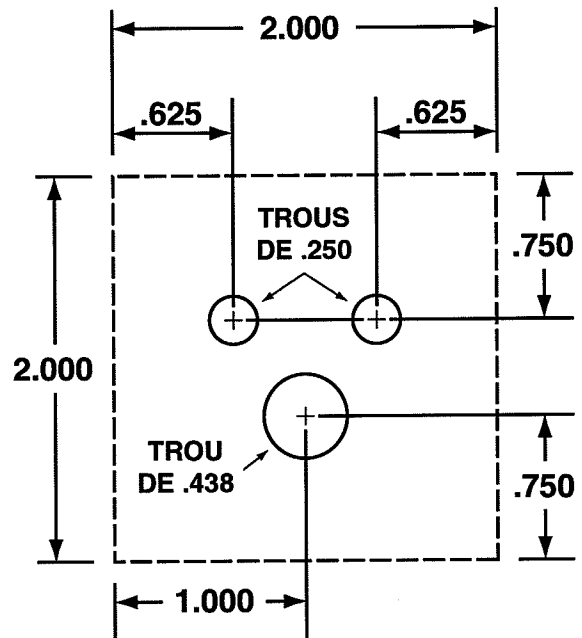


**AVERTISSEMENT :** Pour réduire les risques de brûlure et éviter d'incendier vos vêtements en étendant la main au-dessus des brûleurs, la télécommande doit être posée à au moins 4" de tout brûleur.

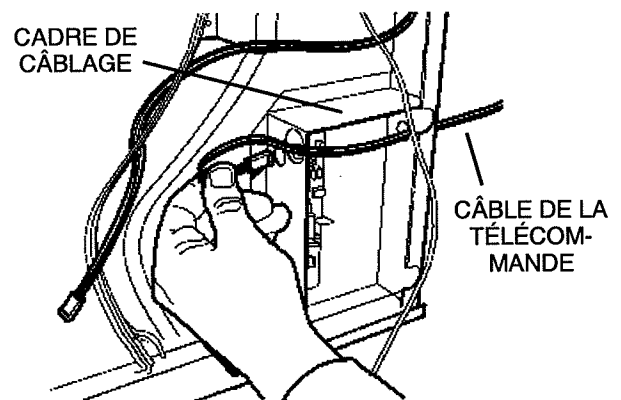
5. Retirez le ventilateur, les canaux de bride, et la couverture de moteur à engrenages de ventilateur encastré (voyez "Préparation de la Hotte" à la page 6). Retirez le grand panneau pour exposer le câblage de la ventilateur encastré.



6. Au coin droit inférieur du ventilateur encastré, débranchez le câble du côté gauche de la boîte de câblage.



**COUPER SUR LA LIGNE POINTILLÉE**



7. Enlevez le câble de la télécommande du sachet en plastique et branchez-l'au dos de la commande de dessous le comptoir. Exécutez le câble par le module au coin droit inférieur de la ventilateur encastré et par les trous de dégagement dans le côté de la ventilateur encastré et cadre de câblage. Branchez le câble à la prise de carte, comme montré.
8. Poussez le câble excessif à l'écart, fixez le câble ainsi il n'est pas endommagé par des articles stockés dans le coffret, et rassemblez ventilateur encastré.

## UTILISATION ET ENTRETIEN



**AVERTISSEMENT : Coupez toujours le courant avant de nettoyer ou d'entretenir l'appareil.**

Actionnez toujours la hotte encastrée avant de commencer à cuisiner afin de créer un courant d'air dans la cuisine. Laissez aussi fonctionner la hotte quelques minutes pour purifier l'air après avoir éteint la cuisinière. Votre cuisine n'en sera que plus propre et étincelante. Lorsque vous appuyez sur le bouton de mise en marche, le conduit d'aération s'élève.

## ARRIÈRE DU GABARIT DE LA TÉLÉCOMMANDE

### Nettoyage

Nettoyez les surfaces peintes avec un détergent doux. NE PAS UTILISER D'ABRASIF, DE LAINE D'ACIER NI DE POUDRES À RÉCURER. Nettoyez la soufflerie avec un aspirateur. Ne plongez pas la soufflerie dans l'eau.

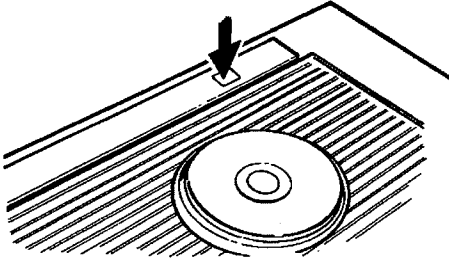
Lavez les deux filtres d'aluminium/acier inoxydable dans une solution de détergent doux ou au lave-vaisselle. Retirez-les du conduit d'aération en tirant sur la languette située en haut des filtres.

### Entretien/réparation

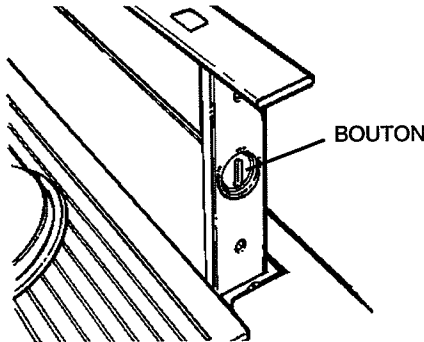
Il peut s'avérer nécessaire d'enlever la hotte encastrée de l'armoire pour entretenir ou réparer certaines pièces, telles que le moteur du ventilateur ou le mécanisme du conduit d'aération. Débranchez d'abord la surface de cuisson et enlevez celle-ci. Suivez les étapes inverses du "MONTAGE DE L'APPAREIL" pour enlever la hotte de l'armoire.



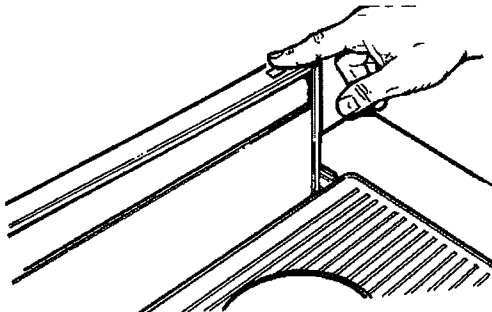
## UTILISATION



Allumez le ventilateur encastré en enfonçant sur le commutateur de lancement. La mise à l'air libre montera.



Le ventilateur peut être marche ou arrêt, et sa vitesse peut être ajustée avec la molette enfoncée du bon côté de la mise à l'air libre.



Arrêtez le ventilateur en appuyant sur le commutateur de déclenchement encore. La mise à l'air libre descendra et la ventilateur coupera.

Note: Pour la plupart d'opération commode, placez le ventilateur à votre vitesse préférée. Le ventilateur avancera à cette vitesse toutes les fois que le commutateur de déclenchement est appuyé sur et aux élévations de mise à l'air libre.

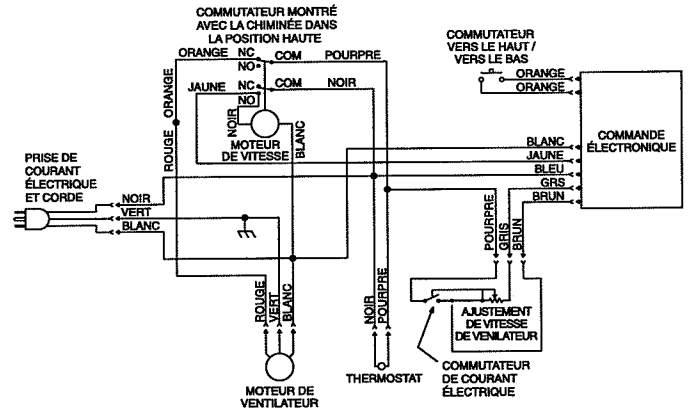
### Sonde automatique de la chaleur

Quand la cheminée est haute et le ventilateur est marche (à toute vitesse) ou arrêt:

Si la température d'échappement devient plus haut que prévue, le mode de sentinelle de la chaleur lancera et augmentera la vitesse de ventilateur à la haute.

L'abaissement de la cheminée arrêtera le ventilateur - même si la sentinelle de la chaleur est en activité.

## DIAGRAMME DE CÂBLAGE





# PIÈCES DE RECHANGE

## Sorrento

DD1-E30AS

DD1-E36AS

Legende	N° de pièce	Description
1	56210030	Haut de la hotte (30")
1	56210031	Haut de la hotte (36")
2	54140052	Ressort de filtre
4	50500020	Soudure de cheminée (30")
4	50500021	Soudure de cheminée (36")
5	50160008	Capot d'extrémité DR
6	50160009	Capot d'extrémité GA
7	54140053	Guide de cheminée usiné
8	54140054	Guide de boîte à air usiné
9	01100001	Vis, 8-32 x .375
10	01100002	Vis, 8-32 x .500
11	11060001	Fil de mise à la terre
12	01110001	Vis, 10-32 x .500
13	50200028	Filtre, maille en métal (30")
13	50200029	Filtre, maille en métal (36")
14	54230001	Cale
15	54190018	Bandes coulissantes
16	50500022	Soudure de boîte à air (30")
16	50500023	Soudure de boîte à air (36")
17	11030039	Ensemble de cordon
18	00100018	Bague antifriction
19	11030040	Socle de câblage
20	11000030	Ensemble de commutateur
21	11010036	Console de commade
22	54260002	Ensemble de manivelle
23	54140055	Bride de moto-réducteur
24	12130021	Ensemble de moto-réducteur (30")
24	12130022	Ensemble de moto-réducteur (36")
26	56200059	Dessous avant de la boîte à air (30")
26	56200060	Dessous avant de la boîte à air (36")
27	56210032	Capot de moto-réducteur (30")
27	56210033	Capot de moto-réducteur (36")
28	56210034	Capot d'ouverture de boîte à air
29	54140056	Bride de boîte à air
30	03050001	Écrou à rondelle, 10-24
31	56100018	Ensemble de boîte de défilement

32	56210035	Couvercle de boîte de défilement
33	54140057	Bride de condensateur
34	54050064	Soudure de boîte de défilement
35	12120056	Moteur à condensateur
36	54250020	Roue à ailettes
37	50410008	Isolateur de bride de moteur
38	03050002	Écrou à rondelle, 1/4 - 20
39	11050004	Détecteur de chaleur
40	54190019	Plaque d'adaptateur
41	54190020	Plaque d'évacuation
42	11030041	Socle de câblage
43	00100019	Bague antifriction
44	11030042	Socle de bouton marche / arrêt
45	11030043	Socle de détecteur de chaleur
46	54140058	Bride de détecteur de chaleur

FE808.0101

# GARANTIE

POUR OBTENIR DU SERVICE SOUS GARANTIE  
ou pour toute question liée au service, veuillez  
appeler au 1-888-880-8368

**Agrafez votre reçu ici.**  
**Une preuve de la date d'achat originale**  
**est nécessaire pour obtenir du service**  
**sous garantie**

**POUR OBTENIR DU SERVICE SOUS GARANTIE :** Vous devez avoir une preuve de la date d'achat du produit. Veuillez garder une copie de votre preuve d'achat datée (facture) pour obtenir des services sous garantie.

#### **Garantie de service de réparation d'un an :**

Garantie d'un an à partir de la date d'achat du produit. Nous offrons un service de réparation sans frais pour toutes les pièces ou éléments défectueux dont le mal fonctionnement est dû à un défaut de fabrication.

#### **Garantie de deux ans sur les pièces :**

Garantie de deux ans à partir de la date d'achat. Nous fournissons sans frais les pièces et composantes qui ne nécessitent pas de remplacement dont le fonctionnement défectueux est dû à des défauts de fabrication. Les pièces consommables non couvertes par cette garantie sont les ampoules électriques, les filtres à charbon et les filtres en métal.

#### **Qui est couvert :**

Cette garantie s'applique aux acheteurs originaux des produits achetés pour une utilisation personnelle normale dans les 48 états du territoire principal américain ainsi que dans les états d'Hawaii et de Washington D.C. Au Canada et en Alaska, cette garantie est limitée. Il pourrait y avoir des frais pour la livraison des produits à nos points de service et vous pourriez avoir à débourser les frais de voyage du technicien pour que l'appareil soit réparé à votre domicile.

#### **Cette garantie s'annule lorsque :**

Le produit est endommagé suite à une négligence, un mauvais usage, un abus ou un accident. L'installation a été faite incorrectement et les notices d'installation n'ont pas été respectées. Le produit est utilisé à des fins commerciales ou autrement que l'usage souhaité par le fabricant. Les dommages sont le résultat d'une connexion incorrecte avec le matériel d'autres fabricants. La réparation ou les modifications sont effectuées par une personne qui ne fait pas partie des Agents Autorisés de Zephyr.

#### **Ce qui n'est pas couvert :**

Les pièces consommables comme les ampoules électriques, les filtres et les fusibles. Les services hors de la zone de service et les coûts de main-d'œuvre contractés lors de la désinstallation, la livraison et la réinstallation. La garantie ne couvre pas non plus toute autre dépense imprévue. L'usure naturelle du fini, l'usure due à un entretien inadéquat, l'usage de produits nettoyants corrosifs ou abrasifs, de produits de nettoyage pour le four, de récurreurs ou de laines d'acier. Les éclats, entailles ou craques dus à un abus, à un mauvais usage ainsi que les dommages de transport ou résultant d'une installation inadéquate. Les voyages de service à votre domicile pour vous enseigner l'usage du produit. Les dommages au produit causés par un accident, un incendie, une inondation ou un cas fortuit.

Cette garantie est valide au États-Unis et au Canada. Elle est non transférable et s'applique uniquement à l'acheteur d'origine et ne se prolonge pas aux propriétaires subséquents. Toutes les garanties impliquées, dont la garantie de qualité marchande, sont limitées à la période de temps de la garantie formelle stipulée ci-dessus et commence avec la date d'achat au détail initial. Aucune garantie, formelle ou sous-entendue, ne s'appliquera à ce produit par la suite

Ayez la preuve d'achat de votre produit avec date pour l'application de la garantie.

Ou écrivez à :

**Zephyr Corporation**  
**Service and Warranty Department**  
**395 Mendell Street**  
**San Francisco, CA 94124**



