

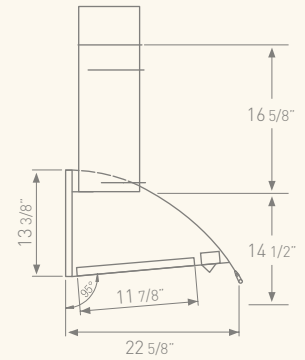
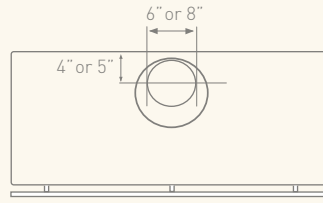
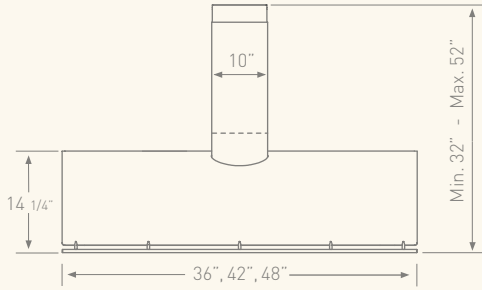
CHENG COLLECTION

OKEANITO

The perfect marriage of vision, whimsy and discipline, the Okeanito never goes unnoticed. This graceful, sweeping hood balances softness and fluidity with cool linear elements to create a timeless design. Perforated side panels allow the Okeanito to radiate gentle ambient light, infusing its surroundings with a sense of grace and calm.



CHENG COLLECTION



OKEANITO

WALL

MODEL	COK-E36SX	COK-E42SX	COK-E48SX
SIZE	36"	42"	48"
NET WIDTH	36"	42"	48"
PERFORMANCE*			
Internal Blower (CBI-600A)	600 CFM	600 CFM	600 CFM
External Blower (CBE-1000)	1000 CFM	1000 CFM	1000 CFM
Internal Blower Sones	7	7	7
COLOR			
Stainless Steel	SS	SS	SS
FEATURES			
Controls	Electronic Touch	Electronic Touch	Electronic Touch
Speed Levels	3	3	3
Delay Off	Yes	Yes	Yes
Lighting	Halogen, 50W x 2 Incandescent, 40W x 2	Halogen, 50W x 2 Incandescent, 40W x 2	Halogen, 50W x 2 Incandescent, 40W x 2
Dual Level Lighting (Halogen)	Yes	Yes	Yes
Filters	Baffle x 1	Baffle x 1	Baffle x 2
Recirculating	No	No	No
Duct Cover Extension	Yes, Up to 12' Ceiling	Yes, Up to 12' Ceiling	Yes, Up to 12' Ceiling
DUCT SPECIFICATIONS			
Internal Blower - Vertical	6"	6"	6"
Internal Blower - Horizontal	NA	NA	NA
External Blower - Vertical	8" - 10"***	8" - 10"***	8" - 10"***
External Blower - Horizontal	NA	NA	NA
AC INPUT	120V - 60HZ	120V - 60HZ	120V - 60HZ
AC POWER			
Internal Blower	Max. 500W at 4.16 Amps	Max. 500W at 4.16 Amps	Max. 500W at 4.16 Amps
External Blower	Max. 880W at 7.33 Amps	Max. 880W at 7.33 Amps	Max. 880W at 7.33 Amps
OPTIONAL ACCESSORIES			
Extension Kit (up to a 12' ceiling)	Z1C-000K	Z1C-000K	Z1C-000K

HEIGHT ACCOMODATIONS

Vertical Ducting

Min. ceiling height 8'. Hood mounted 28" above cooking surface; 64" from floor.

Max ceiling height 10'4". Hood mounted 36" above cooking surface; 72" from floor.

*Blowers not included with hoods, order blower separately. **Run 10" round duct work from external blower to the ceiling bracket. Before duct work passes through ceiling bracket, use a 10" to 8" transition adapter (included) and run 8" duct work.