



Be instantaneous!

Brisas BML

Brisas BML can be installed in as little as 20 minutes. Designed with our unique 3-three step installation system, Brisas BML breaks the arduous task of installing the entire range hood into 3 easy steps. We've even added an installation template to help you align your ceiling marks without the guesswork. One look at the classic European design and gentle clear-glass curved canopy will have you sold. Love at first sight? Yes. It's possible.

FEATURES OF HIGH QUALITY

- Available in 36"
- Available with 600-cfm or 290-cfm internally installed motor
- Stainless steel 3-speed mechanical controls
- Sturdy stainless steel construction
- Durable, washable 5-ply aluminum mesh filters
- Optional recirculation kit
- Standard telescopic duct covers up to 9' ceilings
- Optional duct cover extensions for up to 12' ceilings
- Designed for 6-inch vertical ducted installations

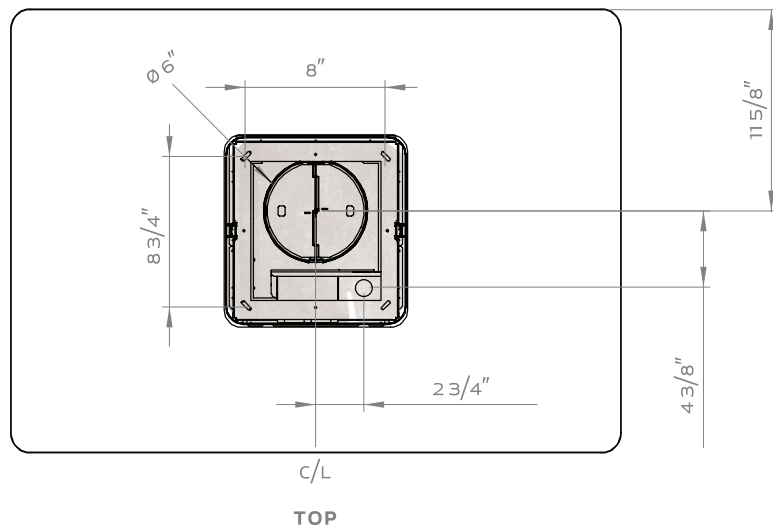
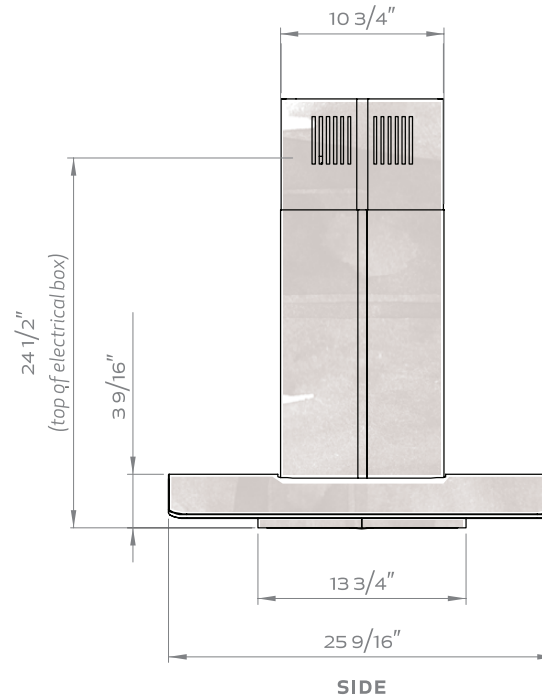
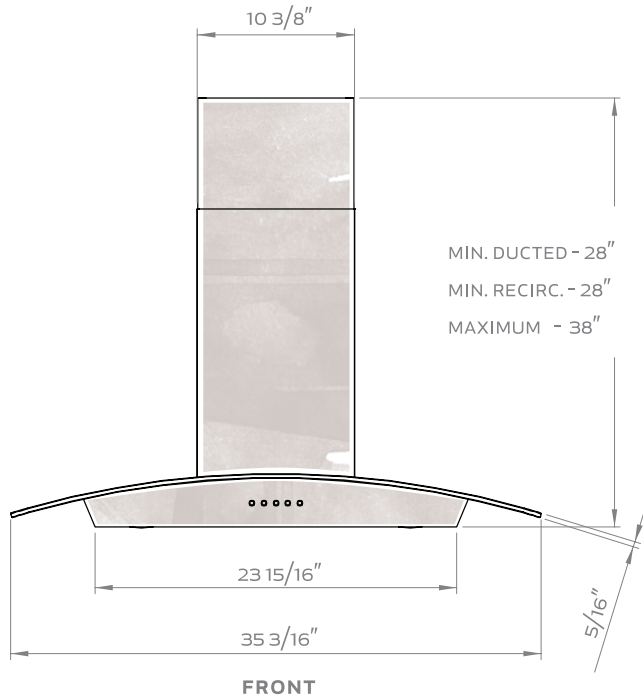


brisas

BRISASRANGEHOODS.COM



Brisas BML



BML-E36AG / BML-E36AG290

SIZE	36"
NET WIDTH	35-3/16"
PERFORMANCE	
Blower CFM, Max.	600 / 290
Sones, Max.	6 / 2.8
COLOR	
Stainless Steel	SS + Glass
FEATURES	
Controls	Mechanical Push Button
Speed Levels	3
Delay Off	No
Lighting	Halogen, 50W x2
Dual Level Lighting	No
Filters	Stainless Steel Mesh
Recirculating Option	Yes
Extension Duct Cover Option	Yes, Up to 12' Ceiling
DUCT SPECIFICATIONS	
Internal Blower - Vertical	6" round
Internal Blower - Horizontal	NA
AC INPUT	
	120V - 60Hz
AC POWER	
	400W, 3.5A / 170W, 1.5A
OPTIONAL ACCESSORIES	
Recirculating Kit	BRC-0004
Extension Duct Cover	BIC-00ML
MOUNTING HEIGHT*	
	26" - 34"

	CEILING HEIGHT	8'	8.5'	9'	9.5'	10'	10.5'	11'	12'
STANDARD DUCT COVER	Ducted Mounting Height*	26"-32"	28"-34"	34"-34"	N/A	N/A	N/A	N/A	N/A
	Recirc. Mounting Height*	26"-32"	28"-34"	34"-34"	N/A	N/A	N/A	N/A	N/A
EXTENSION DUCT COVER	Ducted Mounting Height*	N/A	N/A	N/A	26"-30"	26"-34"	26"-34"	26"-34"	30"-34"
	Recirc. Mounting Height*	N/A	N/A	N/A	26"-30"	26"-34"	26"-34"	26"-34"	30"-34"

*Mounting height refers to distance between top of a 36" tall cooking surface and bottom of hood.