

MONSOON DCBL one-piece liner

Monsoon DCBL is one-of-a-kind. We started with a 715 CFM DC motor and added stainless steel baffle filters with a removable grease tray for easy cleaning. Then we introduced vertical and horizontal ducting to insert liner range hoods. We went beyond the expected by also equipping Monsoon DCBL with a wireless remote control, and finally, we challenged all conventional notions of performance by adding the proprietary DCBL Suppression System® that makes Monsoon DCBL the most quiet and energy efficient insert liner available today. Never has an insert liner range hood been so technologically advanced.

	INTERNAL BLOWER STANDARD	ACT™ INTERNAL BLOWER with AIRFLOW CONTROL TECHNOLOGY™			
Min.-Max. CFM	250 - 715	Min.-Max. CFM	250 - 590	250 - 390	250 - 290
Min.-Max. Sones	0.8 - 5.8	Min.-Max. Sones	0.8 - 4.5	0.8 - 3	0.8 - 1.2

ACT™ is a feature built into specific Zephyr hoods allowing you to limit the maximum blower CFM to meet local code requirements.



MATCHES CONVENTIONAL INSTALLATION DIMENSIONS



26" - 36" MOUNTING HEIGHT



Zephyr's wireless RF remote puts you in control of your one-piece liner from up to 15 feet away.

ADA
COMPLIANT

MONSOON DCBL | ONE-PIECE LINER

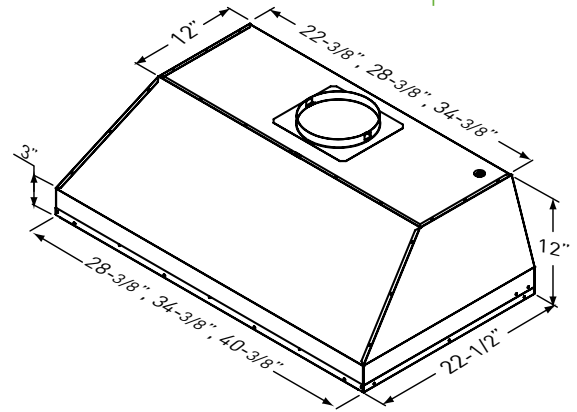
SIZE	
AK9428AS (30")	28-3/8" x 22-1/2"
AK9434AS (36")	34-3/8" x 22-1/2"
AK9440AS (42")	40-3/8" x 22-1/2"
PERFORMANCE	
INTERNAL, MIN.-MAX. BLOWER CFM	250 - 715
INTERNAL, MIN.-MAX. SONES	0.8 - 5.8
COLOR	
STAINLESS STEEL	SS
FEATURES	
ACT™	Yes
CONTROLS	Electronic LCD
SPEED LEVELS	5 + Burst
AUTO DELAY-OFF	Yes
CLEAN AIR MODE	Yes
LIGHTING	
AK9428AS / AK9434AS	Bloom™ HD LED 6W x 2
AK9440AS	Bloom™ HD LED 6W x 3
DUAL LEVEL LIGHTING	Yes
FILTERS	SS Pro-Baffle
REMOVABLE GREASE TRAY	Yes
RF REMOTE CONTROL	Yes
RECIRCULATING OPTION	No
DUCT SPECIFICATIONS	
VERTICAL - INTERNAL	8" Round
HORIZONTAL - INTERNAL	3-1/4" x 10" Rectangular, 8" Round
AC POWER	
	120V, 60Hz at Max. 4A
OPTIONAL ACCESSORIES	
UNIVERSAL MAKE-UP AIR DAMPER	MUA008A
MOUNTING HEIGHT*	
	26" - 36"
WARRANTY	
	3 Years Parts, 1 Year Labor

Specifications subject to change, check zephyronline.com for up to date information.

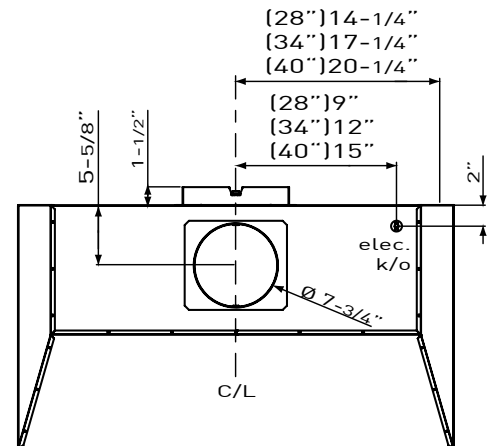


All Next Generation Europa range hoods are equipped with DCBL Suppression® technology, including Bloom™ HD LED light bulbs. To learn more, visit us at zephyronline.com.

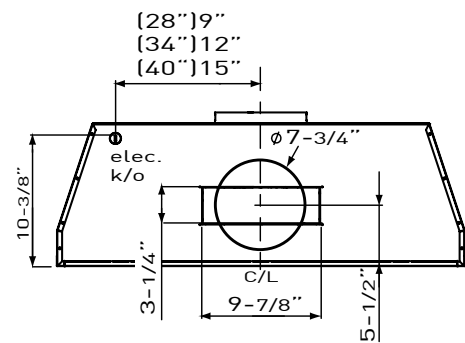
↑ VERTICAL AND
HORIZONTAL
DUCTING →



FRONT



TOP



BACK

