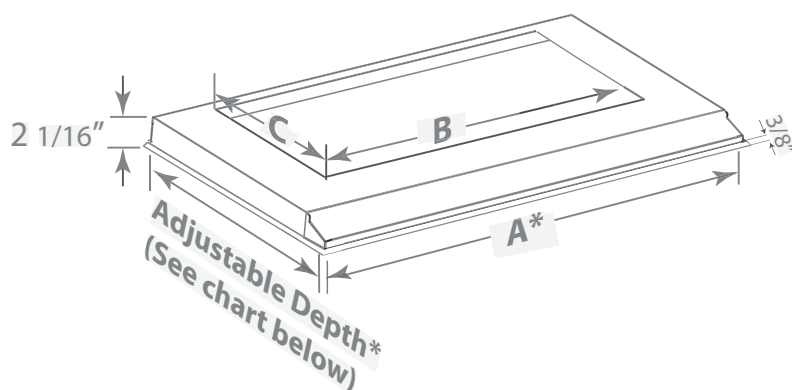
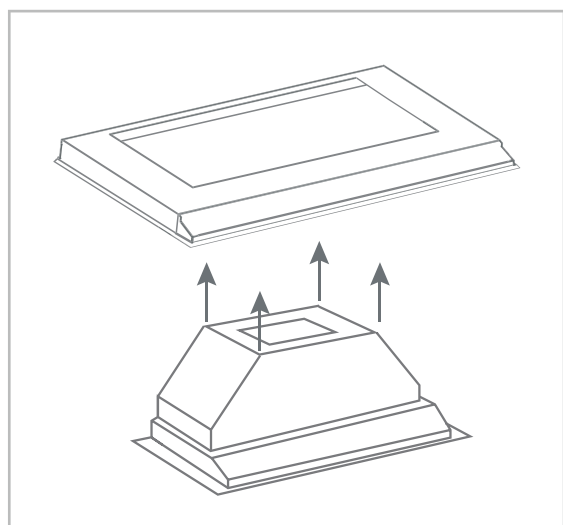


# ESSENTIALS



**\* Dimension does not include 3/8" wide flange around the liner.**

STAINLESS STEEL LINER

LINER MODEL	POWER PACK MODEL	CUSTOM HOOD WIDTH	*ADJUSTABLE DEPTH FITS INTO CABINET OPENING OF		*WIDTH (A)	CUT-OUT WIDTH (B)	CUT-OUT DEPTH (C)
			WITHOUT BACKBOARD	**WITH BACKBOARD			
AK0800AS	AK8000AS AND AK8100AS	30 INCHES	17 1/2" - 20 1/2"	17 1/8" - 20 1/8"	28 3/8"	26 11/16"	10 1/2"
AK0836AS		36 INCHES			34 3/8"		
AK0806AS	AK8200AS	36 INCHES	20 1/2" - 23 1/2"	20 1/8" - 23 1/8"	34 3/8"	26 1/8"	14 7/8"
AK0842AS		42 INCHES			40 3/8"		
AK0848AS	AK8300ASX	48 INCHES	20 1/2" - 23 1/2"	20 1/8" - 23 1/8"	46 3/8"	34 7/8"	14 7/8"
AK0854AS		54 INCHES			52 3/8"		
AK0860AS		60 INCHES			58 3/8"		
AK0886AS	AK8800ASx	36 INCHES	20 1/2" - 23 1/2"	20 1/8" - 23 1/8"	34 3/8"	26 1/8"	14 7/8"
AK0882AS		42 INCHES			40 3/8"		
AK0888AS		48 INCHES			46 3/8"		
AK0884AS		54 INCHES			52 3/8"		
AK0880AS		60 INCHES			58 3/8"		

\*\*The INSIDE DEPTH shown in the table above assumes a minimum cabinet backboard thickness of 3/8".

