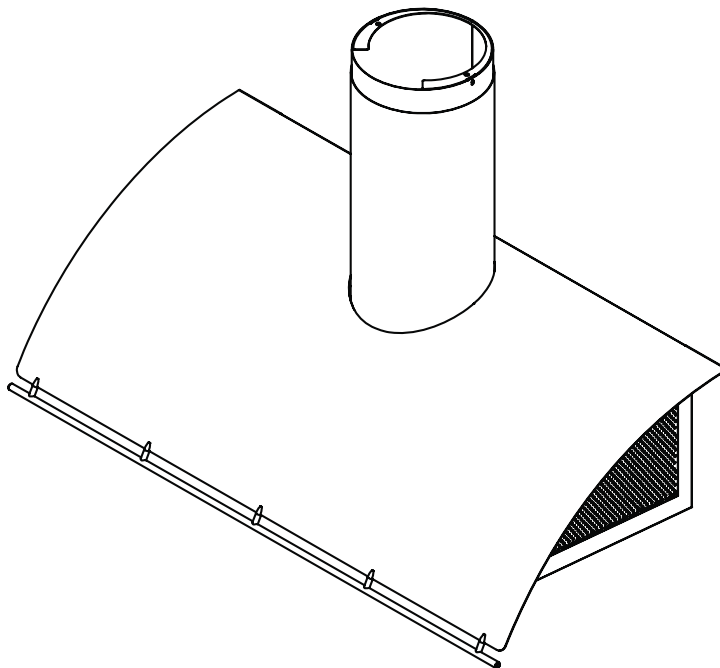


Use, Care, and Installation Guide

Okeanito

COK-E36BSX
COK-E42BSX
COK-E48BSX



Model number: _____
Serial Number: _____
Date of Purchase: _____
Sales Dealer: _____



SAFETY NOTICE 2-3

LIST OF MATERIALS 4

INSTALLATION

 Ducting Calculation Sheet 5

 Mounting Height & Clearance 6

 Ducting Options 7

 Hood Specifications 8

 Preparing the Electrical Wires 9

 Internal Blower 10

 Remote Blower Preparation 11

 Mounting the Range Hood 12-13

FEATURES & CONTROLS

 Touch Controls 14

 Features 15

MAINTENANCE

 Cleaning and Installing Filters 16

TROUBLESHOOTING 17

WIRING DIAGRAMS 18-19

LIST OF PARTS AND ACCESSORIES 20

Important Safety Notice

WARNING

TO REDUCE THE RISK OF FIRE OR ELECTRIC SHOCK, DO NOT USE THIS FAN WITH ANY SOLID-STATE CONTROL DEVICE.

WARNING

TO REDUCE THE RISK OF FIRE, ELECTRIC SHOCK, OR INJURY TO PERSONS, OBSERVE THE FOLLOWING:

- a. Use this unit only in the manner intended by the manufacturer, if you have questions, contact the manufacturer.
- b. Before servicing or cleaning unit, switch power off at service panel and lock panel to prevent power from being switched on accidentally. When the service disconnecting means cannot be locked, securely fasten a prominent warning device, such as a tag, to the service panel.

CAUTION

For general ventilating use only. Do not use to exhaust hazardous or explosive materials and vapors. Take care when using cleaning agents or detergents. Suitable for use in household cooking area.

WARNING

TO REDUCE THE RISK OF RANGE TOP GREASE FIRE:

- a. Never leave surface units unattended at high settings. Boilovers cause smoking and greasy spillovers that may ignite. Heat oils slowly on low or medium settings.
- b. Always turn hood ON when cooking at high heat or when flaming food
- c. Clean ventilating fans frequently. Grease should not be allowed to accumulate on fan or filter.
- d. Use proper pan size. Always use cookware appropriate for the size of the surface element.
- e. Keep fan, filters and grease laden surfaces clean.
- f. Use high setting on hood only when necessary.
- g. Don't leave hood unattended when cooking.
- h. Always use cookware and utensils appropriate for the type of and amount of food being prepared.

WARNING

TO REDUCE THE RISK OF INJURY TO PERSONS IN THE EVENT OF A RANGE TOP FIRE, OBSERVE THE FOLLOWING:

- a. SMOTHER FLAMES with a close-fitting lid, cookie sheet, or metal tray, then turn off the burner. BE CAREFUL TO PREVENT BURNS. If the flames do not go out immediately, EVACUATE AND CALL THE FIRE DEPARTMENT.
- b. NEVER PICK UP A FLAMING PAN – You may be burned.
- c. DO NOT USE WATER, including wet dishcloths or towels – a violent steam explosion will result.
- d. Use an extinguisher ONLY if:
 - 1. You know you have a Class ABC extinguisher, and you already know how to operate it.
 - 2. The fire is small and contained in the area where it started.
 - 3. The fire department is being called.
 - 4. You can fight the fire with your back to an exit

WARNING

TO REDUCE THE RISK OF FIRE, ELECTRIC SHOCK OR INJURY TO PERSONS, OBSERVE THE FOLLOWING:

- a. Installation work and electrical wiring must be done by qualified person(s) in accordance with all applicable codes and standards. Including fire-rated construction.
- b. Sufficient air is needed for power combustion and exhausting of gases through the flue (chimney) of fuel burning equipment to prevent back-drafting. Follow the heating equipment manufacturer's guideline and safety standards such as those published by the National Fire Protection Association (NFPA) and the American Society for Heating, Refrigeration and Air Conditioning Engineers (ASHRAE) and the local code authorities.
- c. When cutting or drilling into wall or ceiling, do not damage electrical wiring and other hidden utilities.
- d. Ducted fans must always vent to the outdoors.
- e. If this unit is to be installed over a tub or shower, it must be marked as appropriate for the application and be connected to a GFI (Ground Fault Interrupter protected branch circuit).
- g. NEVER place a switch where it can be reached from a tub or shower.
- h. Make sure the power is off before installing, wiring or maintenancing.

WARNING

TO REDUCE THE RISK OF FIRE, USE ONLY METAL DUCTWORK.
NOT FOR USE IN OUTDOOR COOKING ENVIRONMENTS.

CAUTION

To reduce risk of fire and to properly exhaust air outside - Do not vent exhaust air into spaces within walls, ceilings, attics, crawl spaces or garages.

OPERATION

Always leave safety grilles and filters in place. Without these components, operating blowers could catch onto hair, fingers and loose clothing.

The manufacturer declines all responsibility in the event of failure to observe the instructions given here for installation, maintenance and suitable use of the product. The manufacturer further declines all responsibility for injury due to negligence and the warranty of the unit automatically expires due to improper maintenance.

***NOTE: Please check www.zephyronline.com for revisions before doing any custom work.**

ELECTRICAL REQUIREMENTS

Important:

Observe all governing codes and ordinances.

It is the customer's responsibility:

- To contact a qualified electrical installer.
- To assure that the electrical installation is adequate and in conformance with National Electrical Code, ANSI/NFPA 70 latest edition* or CSA standards C22.1-94, Canadian Electrical Code, Part 1 and C22.2 No.0-M91 - latest edition** and all local codes and ordinances.

If codes permit and a separate ground wire is used, it is recommended that a qualified electrician determine that the ground path is adequate.

Do not ground to a gas pipe.

Check with a qualified electrician if you are not sure the range hood is properly grounded.

Do not have a fuse in the neutral or ground circuit.

*National Fire Protection Association Batterymarch Park, Quincy, Massachusetts 02269

** CSA International 8501 East Pleasant Valley Road, Cleveland, Ohio 44131-5575

This appliance requires a 120V 60Hz electrical supply and connected to an individual properly grounded branch circuit protected by a 15 or 20 ampere circuit breaker or time delay fuse. Wiring must be 2 wire with ground. Please also refer to Electrical Diagram on product.

A cable locking connector (not supplied) might also be required by local codes. Check with local requirements, purchase and install appropriate connector if necessary.

COK-E36BSX, COK-E42BSX w/CBI-290A - MAX 170 Watts, 1.4 Amps

COK-E36BSX, COK-E42BSX w/CBI-600A - MAX 400 Watts, 3.3 Amps

COK-E36BSX, COK-E42BSX w/CBE-1000 - MAX 795 Watts, 6.7 Amps

COK-E36BSX, COK-E42BSX w/PBN-1000A - MAX 645 Watts, 5.4 Amps

COK-E48BSX w/CBI-290A - MAX 182 Watts, 1.5 Amps

COK-E48BSX w/CBI-600A - MAX 412 Watts, 3.4 Amps

COK-E48BSX w/CBE-1000 - MAX 807 Watts, 6.8 Amps

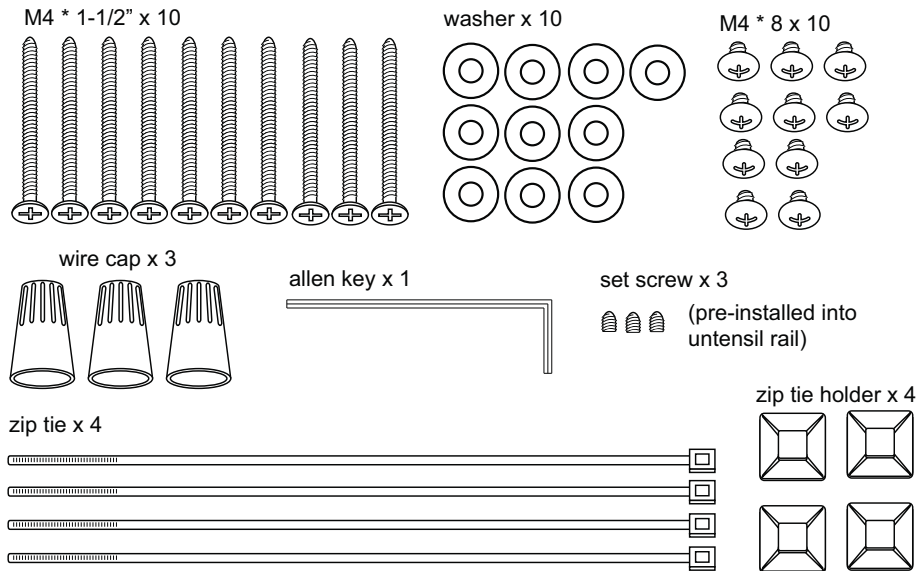
COK-E48BSX w/PBN-1000A - MAX 657 Watts, 5.5 Amps

List of Materials

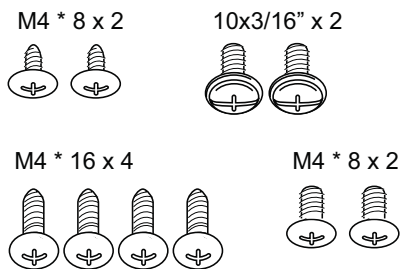
MODEL: COK-E36BSX, COK-E42BSX, COK-E48BSX

- 1 - Hood
- 1 - Baffle filter (2) for 48" model
- 2 - 6W Zephyr Bloom™ LED light bulbs (4) for 48" model
- 2 - 40W Mood Light Bulbs
- 2 - Telescopic Duct Covers
- 1 - Duct Cover Ceiling Bracket
- 1 - Utensil Rail
- 1 - Wall Mount Hanging Bracket
- 1 - 8" Round Starting Collar w/Damper
- 1 - Remote Blower Wire Harness
- 1 - Hardware Packet

Hardware Packet Contents



Internal Blower Packet Contents



Parts Not Supplied

- Ducting, conduit and all installation tools
- Cable connector (if required by local codes)
- Internal Blower Kits (CBI-290A / CBI-600A)
- External Blower Kit (CBE-1000)
- In-Line Blower Kit (PBN-1000A)
- Duct Cover Extension Accessory

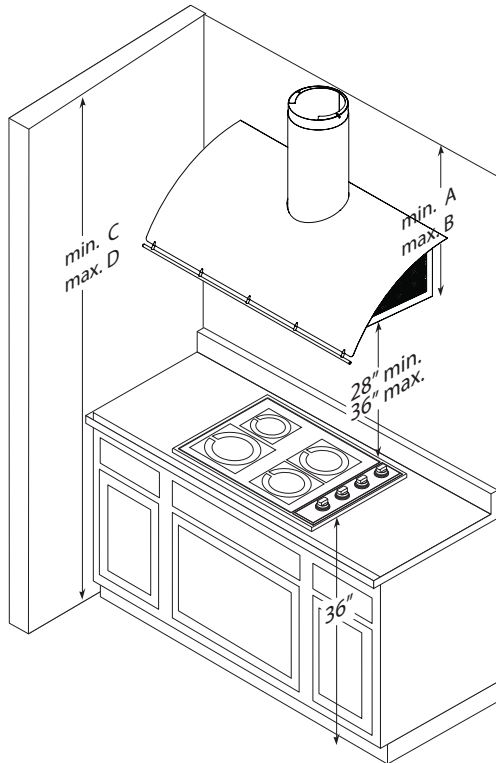
Installation – Ducting Calculation Sheet

Duct pieces		Equivalent number length x used =	Total
	3-1/4" x 10" Rect., straight	1 Ft. x () =	Ft.
	7" Round, straight	1 Ft. x () =	Ft.
	8" Round, straight	1 Ft. x () =	Ft.
	3-1/4" x 10" Rect. 90° elbow	15 Ft. x () =	Ft.
	3-1/4" x 10" Rect. 45° elbow	9 Ft. x () =	Ft.
	3-1/4" x 10" Rect. 90° flat elbow	24 Ft. x () =	Ft.
	3-1/4" x 10" Rect. wall cap with damper	30 Ft. x () =	Ft.
	3-1/4" x 10" Rect. to 6" round transition	5 Ft. x () =	Ft.
	3-1/4" x 10" Rect. to 6" round transition 90° elbow	15 Ft. x () =	Ft.
	6" Round, 90° elbow	15 Ft. x () =	Ft.
	6" Round, 45° elbow	9 Ft. x () =	Ft.
Subtotal column 1 =			Ft.

Duct pieces		Equivalent number length x used =	Total
	6"- 8" Round wall cap with damper	30 Ft. x () =	Ft.
	6"- 8" Round, roof cap	30 Ft. x () =	Ft.
	6" round to 3-1/4" x 10" rect. transition	1 Ft. x () =	Ft.
	6" round to 3-1/4" x 10" rect. transition 90° elbow	16 Ft. x () =	Ft.
	7" or 8" Round, 90° elbow	15 Ft. x () =	Ft.
	7" or 8" Round, 45° elbow	9 Ft. x () =	Ft.
	7" or 8" Round wall cap with damper	30 Ft. x () =	Ft.
	7" or 8" Round, roof cap	30 Ft. x () =	Ft.
	7" round to 3 1/4" x 10" rect. transition	8 Ft. x () =	Ft.
	7" round to 3-1/4" x 10" rect. transition 90° elbow	15 Ft. x () =	Ft.
Subtotal column 2 =			Ft.
Subtotal column 1 =			Ft.
Total ductwork =			Ft.

Maximum Duct Length: For satisfactory air movement, the total duct length of a 3 1/4" x 10" rectangular 6", 7" or 8" diameter round duct should not exceed 100 equivalent feet.

Installation – Mounting Height & Clearance



Hood Heights	Standard Duct Cover	Extension Duct Cover
minimum (A)	30-1/2"	44"
maximum (B)	49-1/2"	77"
Ceiling Heights		
minimum (C)	94-1/2" (7' 10-1/2")	108" (9')
maximum (D)	121-1/2" (10' 1-1/2")	149" (12' 5")

DUCTING

A minimum of 6" round duct work must be used to maintain maximum air flow efficiency with the 290/600 cfm internal blower. A minimum of 10" to 8" round duct work must be used with the 1000 cfm remote blower.

Always use rigid type metal ducts only. Flexible ducts could restrict air flow by up to 50%.

Use calculation (on page 5) to compute total available duct run when using elbows, transitions and caps.

ALWAYS, when possible, reduce the number or transitions and turns. If long duct run is required, increase duct size from 6" to 7" or 8". If a reducer is used, install a long reducer instead of a pancake reducer. Reduce duct size as far away from opening as possible.

If turns or transitions are required; install as far away from opening and as far apart, between 2, as possible.

Minimum mount height between range top and hood bottom should be no less than 28".

Maximum mount height should be no higher than 36".

It is important to install the hood at the proper mounting height. Hoods mounted too low could result in heat damage and fire hazard; while hoods mounted too high will be hard to reach and will lose its performance and efficiency.

If available, also refer to range manufacturer's height clearance requirements and recommended hood mounting height above range.

Vertical Ducting:

6" round minimum (internal blower)
10" to 8" round minimum (remote blower)

Horizontal Ducting:

N/A

DAMAGE-SHIPMENT / INSTALLATION:

- Please fully inspect unit for damage before installation.
- If the unit is damaged in shipment, return the unit to the store in which it was bought for repair or replacement.
- If the unit is damaged by the customer, repair or replacement is the responsibility of the customer.
- If the unit is damaged by the installer (if other than the customer), repair or replacement must be made by arrangement between customer and installer.

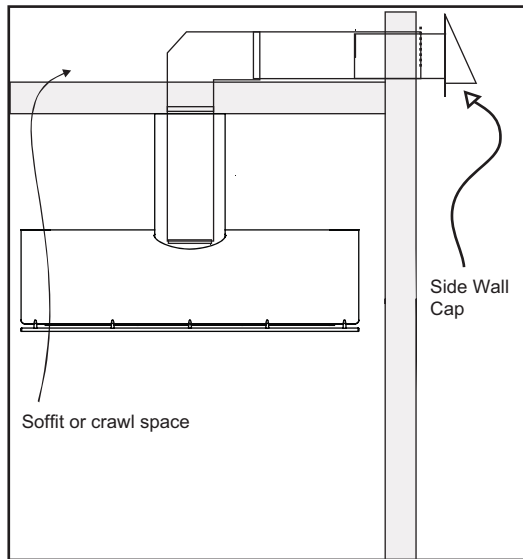
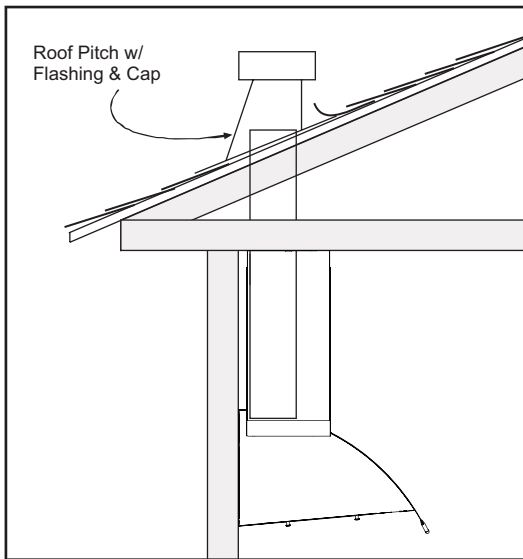
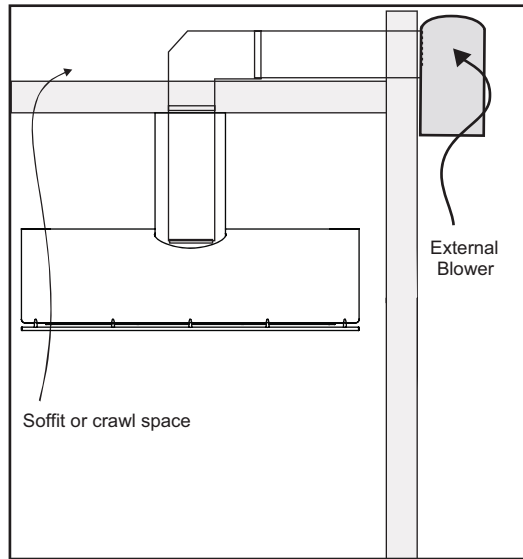
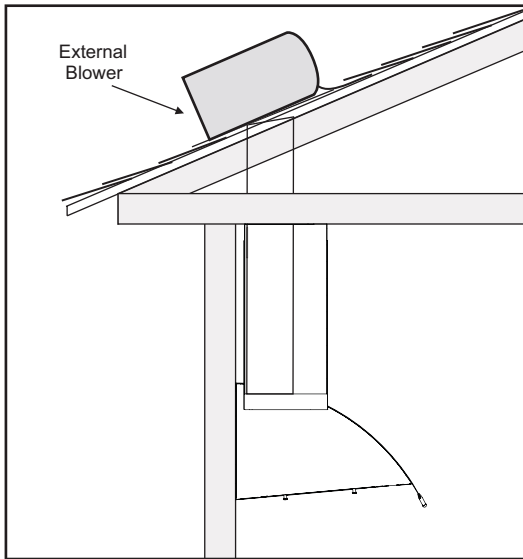
WARNING FIRE HAZARD

NEVER exhaust air or terminate duct work into spaces between walls, crawl spaces, ceiling, attics or garages. All exhaust must be ducted to the outside.

Use metal ductwork only.

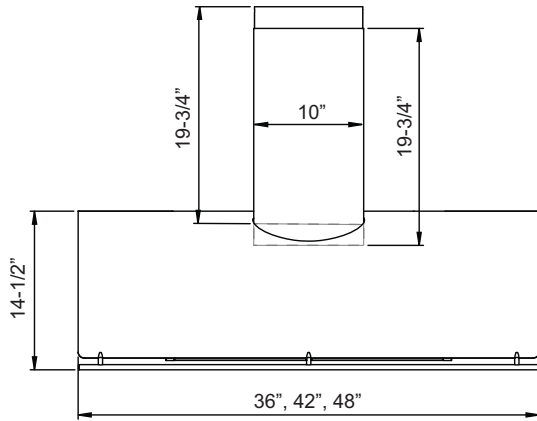
Fasten all connections with sheet metal screws and tape all joints with certified Silver Tape or Duct Tape.

Some Ducting Options

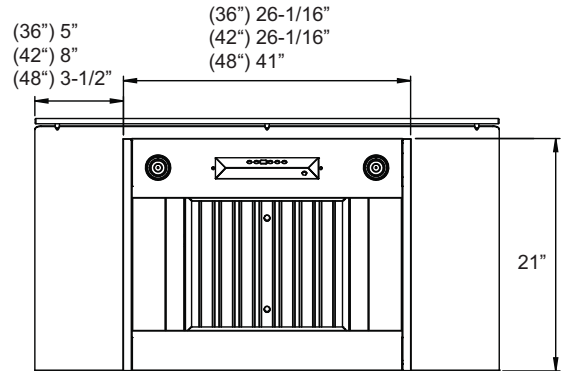


Installation – Hood Specifications

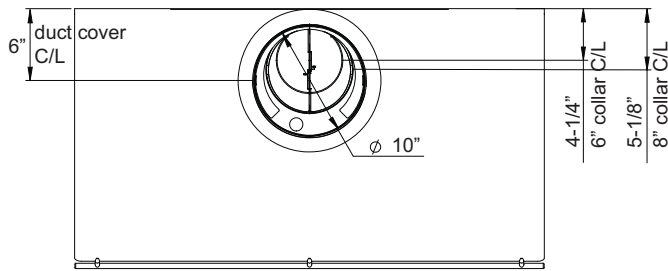
Front View



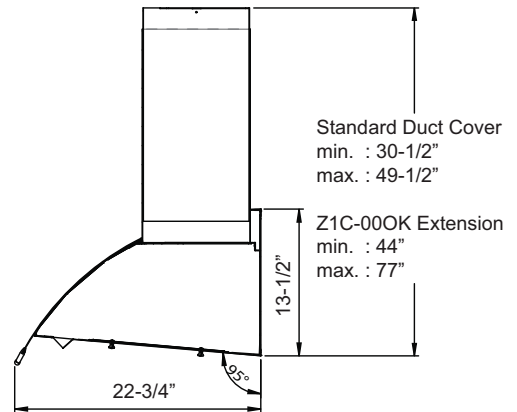
Bottom View



Top View



Side View



**ELECTRICAL
WARNING**

All Electrical work must be performed by qualified electrician or person with similar technical know how and background.

For personal safety, remove house fuse or open circuit breaker before beginning installation. Do not use extension cord or adapter plug with this appliance.

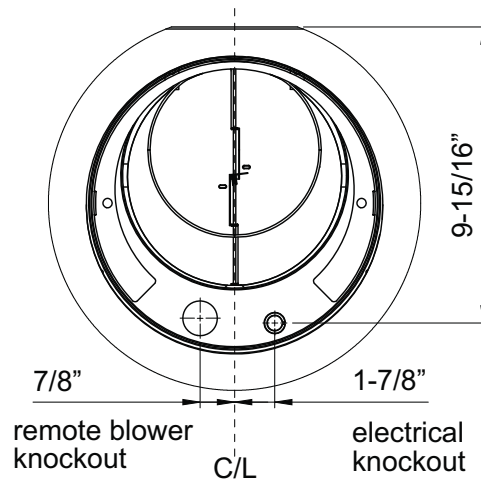
Follow national electrical codes or prevailing local codes and ordinances.

Electrical Supply:

This appliance requires a 120V 60Hz electrical supply, and connected to an individual, properly grounded branch circuit, protected by a 15 or 20 ampere circuit breaker or time delay fuse. Wiring must be 2 wire w/ ground. Please also refer Electrical Diagram labeled on product.

Cable Lock:

A cable locking connector (not supplied) might also be required by local codes. Check with local requirements and codes, purchase and install appropriate connector if necessary.

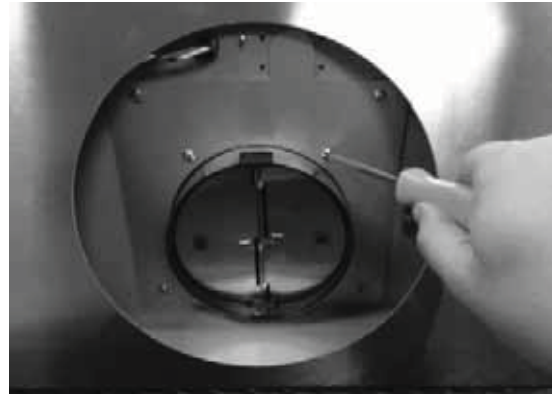


Installation – Internal Blower

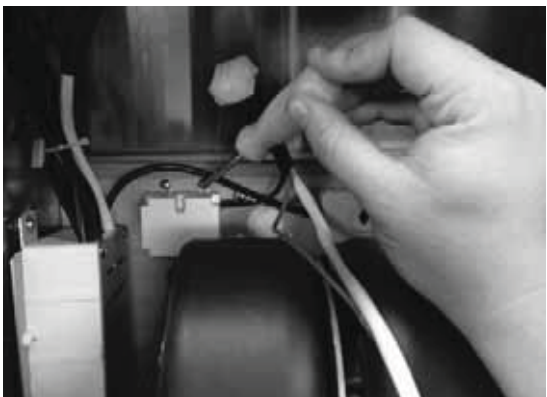
INTERNAL BLOWER PREPARATION



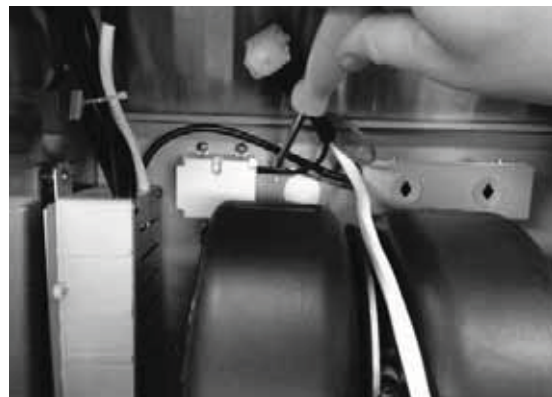
1. Position internal blower inside hood body so internal blower collar protrudes through 6" round flange opening.



2. Secure internal blower to internal blower flange by (4) M4*16 screws from internal blower hardware.



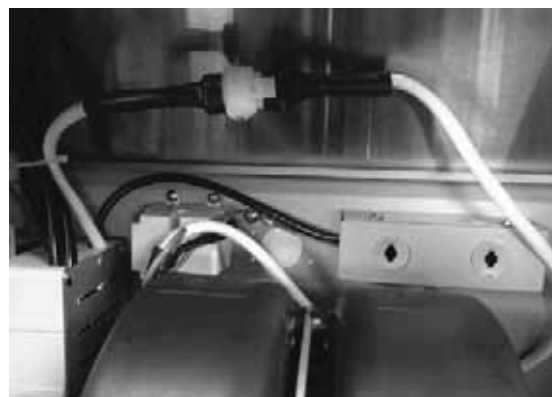
3. Position capacitor box inside hood body and secure by (2) M4*8 screws from internal blower hardware.



4. Secure ground wire from capacitor box to ground wire rivet nut next to capacitor box.



5. Connect 9 pin molex connector from internal motor to 9 pin molex connector from capacitor box cable. Secure cable to hood interior with zip tie and zip tie holder.

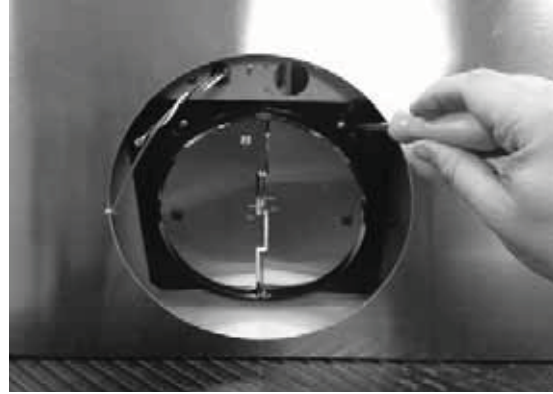


6. Connect 6 pin molex connector from control board box to 6 pin molex connector from capacitor box cable. Secure cable to hood interior with zip tie and zip tie holder.

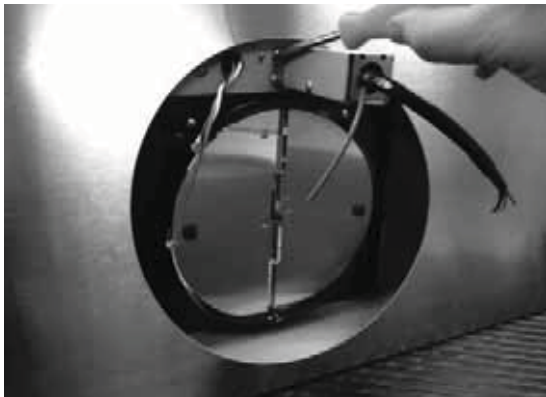
REMOTE BLOWER PREPARATION



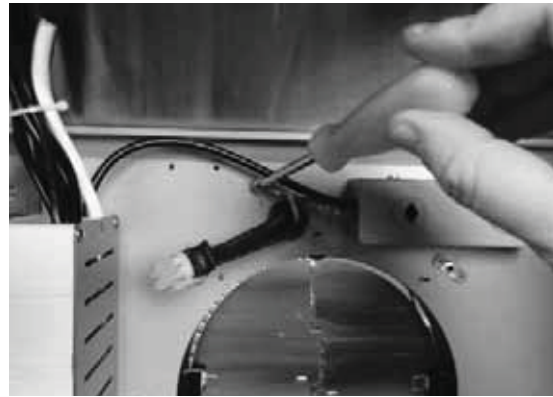
1. Remove internal blower flange plate.



2. Install remote blower 8" round collar. Attach by (4) M4*8 screws.



3. Install threaded cable lock and remote blower wiring harness through the remote blower wiring knockout. Attach by (4) M4*8 screws.



4. Secure ground wire from remote blower wiring to ground wire rivet nut.



5. Connect 6 pin male connector from remote blower wiring to 6 pin female connector on control board box.

NOTE: For instructions on mounting the remote blower please refer to the CBE-1000 or PBN-1000A remote blower manual included in the remote blower packaging or on our website at www.zephyronline.com

Installation – Mounting the Range Hood

⚠ CAUTION: At least two installers are required due to the weight and size of the hood.

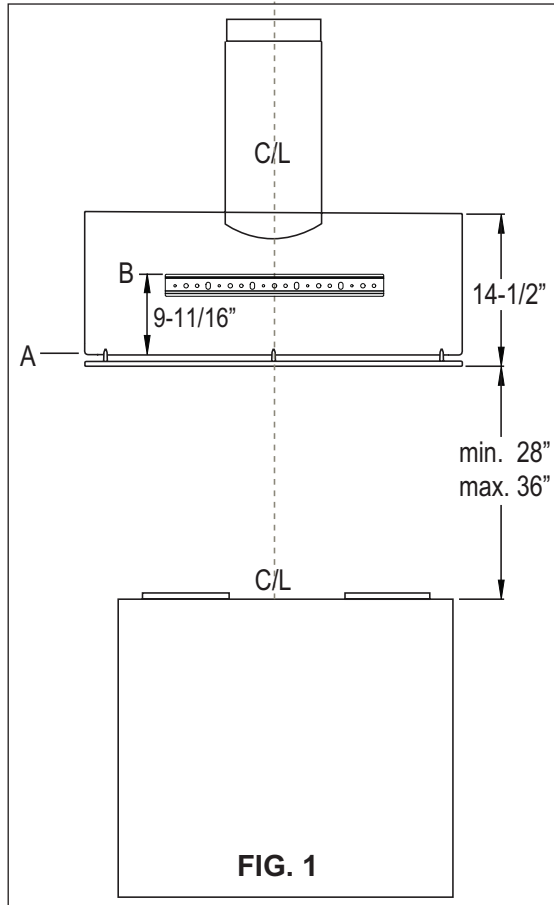


FIG. 1

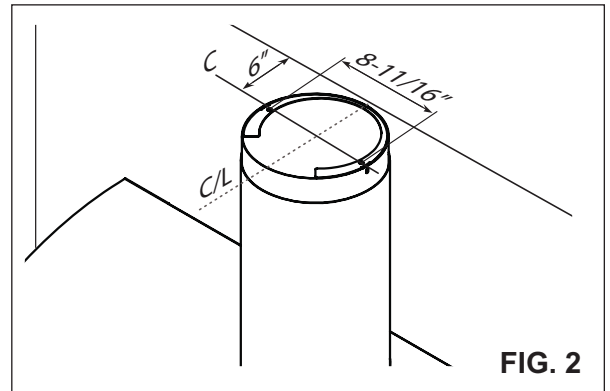


FIG. 2

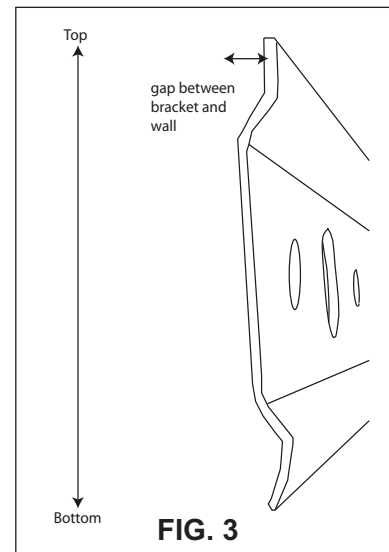
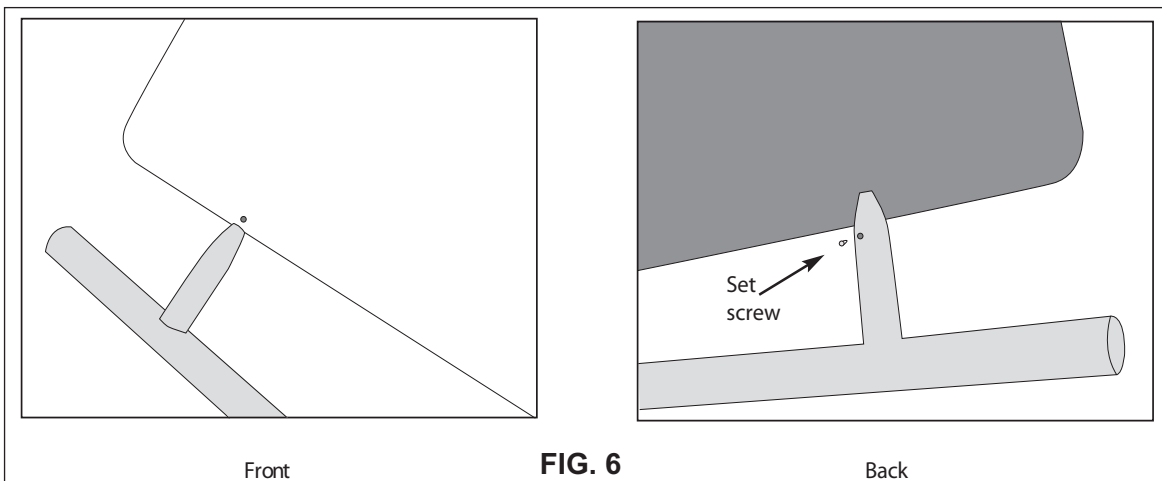
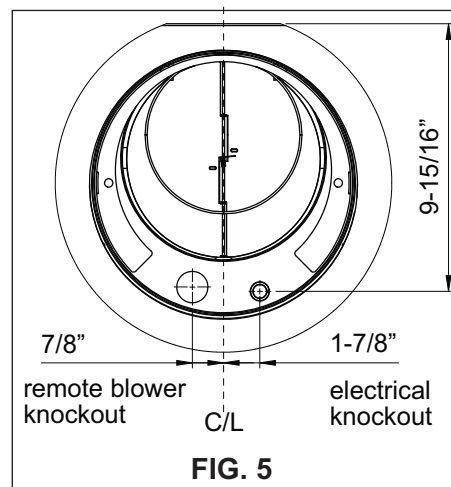
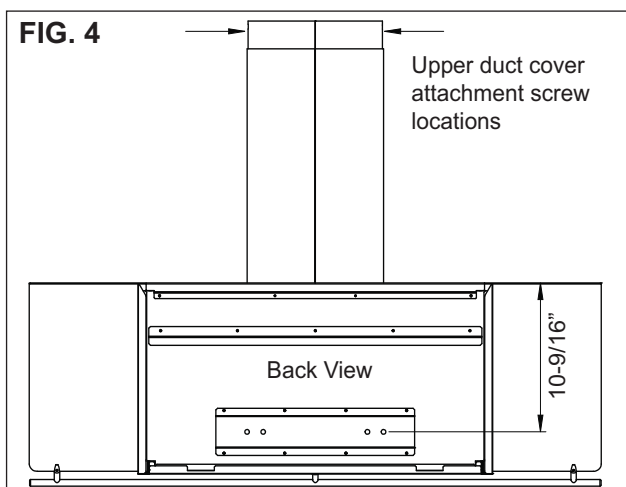
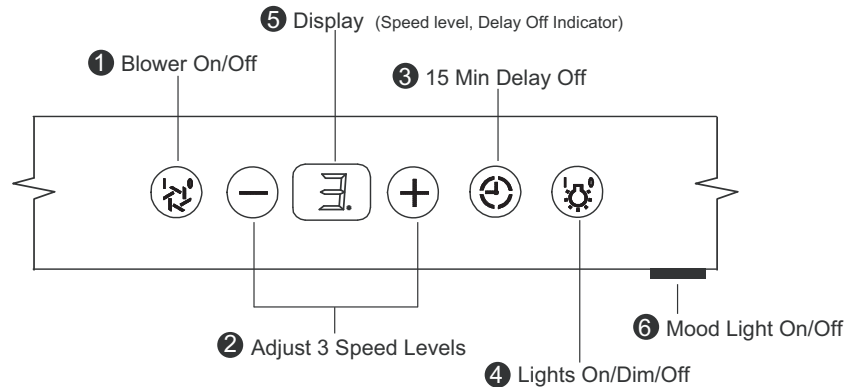


FIG. 3


1. Measure from cooking surface to desired hood bottom, level and mark line A. (28" minimum from cooking surface)
2. Plum and mark center line.
3. Mark line B, 9-11/16" up from line A. This is the top position of the wall bracket. FIG. 1
4. Follow center line up to the ceiling, measure and mark ceiling bracket mount line C, 6" out from the wall onto the ceiling. FIG. 2
5. Mark ceiling bracket mounting spread, 8-11/16" from center line on line C. FIG. 2
6. Place duct cover ceiling bracket onto ceiling and mark inside diameter of ceiling bracket. Cut inside diameter of ceiling bracket to fit the 6" or 8" round duct pipe.
7. Repair duct work and electrical through ceiling.
8. Attach ceiling bracket to ceiling by (2) M4 * 1-1/2" screws. Wood blocking may need to be added inside ceiling to support the weight of the upper duct cover.
9. Place and center the top of wall bracket on line B. The top of the wall bracket will have a gap between the bracket and the wall. FIG. 3

10. Attach wall bracket to wall by (3) M4*1-1/2" screws with washers. NOTE: Wood blocking may need to be added behind the drywall if no studs are present. Wall anchors may also be used but check with local codes for compliance. Failure to use suitable wall anchors and screws to hold the weight of the hood could result in personal injury or damage to the cooking surface or counter.
11. Lift hood onto wall bracket. The lip at the back of the hood body will rest between the wall and the top lip of the wall bracket. Secure hood body in place by (2) M4*1-1/2" screws through bottom section of interior of hood body. FIG. 4
12. Place telescopic duct covers on top of hood.
13. Run duct work from ceiling to motor collar and seal all joints with certified aluminum duct tape.
14. Install electrical wiring. FIG. 5
15. Attach upper (inner) duct cover to ceiling bracket by (2) M4*8 screws. FIG. 4
16. Attach utensil rail to hood canopy by 3 set screws (pre-installed into rail) using the provided allen key. FIG. 6. A small hole has been pre-drilled into the canopy to provide a starting point to attach the first utensil rail post. After the first post is lined up with the hole, gently slide the rest of the rail onto the canopy. Be careful not to scratch the stainless of the canopy while installing the utensil rail.

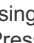
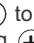
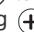




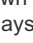
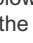
1 Blower On/Off

By pressing , the blower is switched On and Off. When switched on, the blower and lights turn on at the same setting they were switched off at. When switched off the entire hood powers off, including the LED and Mood lights.


2 Speed Selection

The 3 speed levels are selected by pressing  to decrease and  to increase speed level. The display indicates speed level selected. Pressing  when the hood is off will also turn it on.

3 Delay Off

This is used for programmed shut down of blower and lights 15 minutes after the function is activated. Press  once, a dot displays in the lower right hand side of display  indicating the function is on. The hood will change to speed 1 and shut down after 5 minutes.

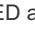
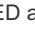
4 Lights On/Dim/Off

Switch lights On by pressing  once, again to dim and again to switch Off.


5 Display

Displays blower speed level, delay off status and filter clean/replace notification.

6 Mood Light On/Off

This is the master On and Off button for the mood lights. Press IN to turn on, press again to turn OFF. When the master mood light switch is ON, pressing the  button will power off the LED and mood lights. Pressing  button again will turn the LED and mood lights back on.

Baffle Filter Clean Reminder

After every 30 hours of use the display will start flashing an  reminding you to clean the baffle filters from residue and possible clogs.

Clean Air Feature

Clean Air is a feature that turns the blower on every 4 hours for 10 minutes to remove stagnant air in the kitchen. This feature is disabled by default and must be enabled by the user.

The standard baffle filters are required to be cleaned frequently and as recommended in order to maintain blower efficiency. If improperly maintained, residue from cooking will sift through filters and cause damage to hood blowers and other sensitive components; and possibly clog duct work and create a fire hazard.

Baffle Filter Clean Reminder

Whether your hood is installed as an exhaust or purifying unit, a set of baffle filters are fitted by the factory. These baffle filters are intended to filter out residue from cooking. They need not be replaced on a regular basis but are required to be kept clean. The filter clean reminder function in the microprocessor will automatically indicate by a flashing **F** when the baffle filters need to be cleaned after every 30 hours of use. Filters can be cleaned by hand with non-abrasive soap or in a dishwasher. Heavily soiled filters should also be soaked in grease cutting detergent prior to cleaning.

Baffle Filter Clean Indicator

When **F** flashes on display, the baffle filters installed are required to be cleaned. This will occur after every 30 hours of use.

Clean Filters

display < F > flashes



Re-setting Function

Reset the filter clean reminder timer when filters are cleaned and re-installed (with hood off). Press and hold **-** for approximately 5 seconds, the display will appear; hold for approximately 5 seconds until **F** on display disappears **□**. The filter clean reminder function is now reset and a new 30 hours elapse cycle is initiated.

To Reset

hold 5 sec. display from < F > to < □ >



Clean Air Feature

Clean Air is a feature that turns the fan on every 4 hours for 10 minutes to remove stagnant air in the kitchen. This feature is disabled by default and must be enabled by the user. When the clean air function is enabled, the blower will turn on speed 1, the display will flash between **A** and **1** until the 10 minute cycle has elapsed and the blower shuts down.

To enable Clean Air Feature

With hood off, press and hold **⌘** for approximately 5 seconds until the display shows **-** then **A**.

To Enable

hold 5 sec. display from < - > to < A >



To disable Clean Air Feature

With hood off, press and hold **⌘** for approximately 5 seconds until the display shows **A** then **-**.

To Disable

hold 5 sec. display from < A > to < - >



SURFACE MAINTENANCE:

Clean periodically with hot soapy water and clean cotton cloth. Do not use corrosive or abrasive detergent, or steel wool/scoring pads which will scratch and damage surface.

For heavier soil use liquid degreaser.

After cleaning, you may use non-abrasive stainless steel polish/ cleaners, to polish and buff out the stainless luster and grain. Always scrub lightly using a micro fiber or clean cotton cloth and with the stainless steel grain.

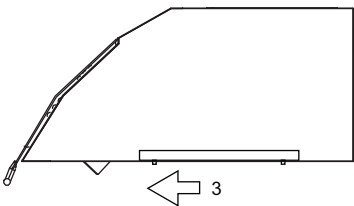
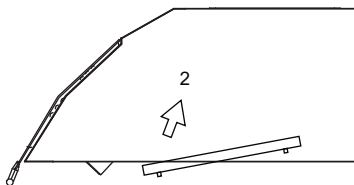
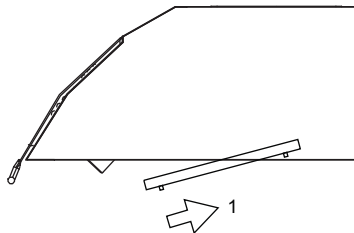
Stainless Steel Baffle Filters

The stainless steel baffle filters fitted by the factory are intended to trap residue and grease from cooking. Although the filters never need replacement, they are required to be cleaned every 30 - 60 days or more often depending on cooking habits.

Filters may be placed in dishwasher at low heat or soaked in hot soapy water.

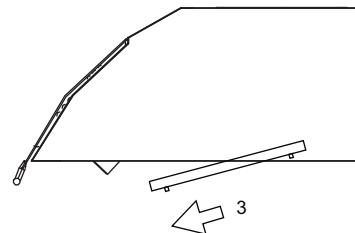
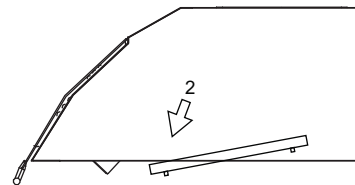
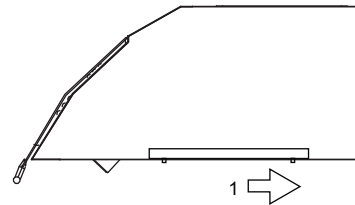
Installing Baffle Filters

1. Insert filter in metal groove on bottom of hood. Push filter towards back of hood using handles.
2. Pivot front of filter upward until it is flush with the hood.
3. Lock filter in place by pulling away from hood.



Removing Baffle Filters

1. Pull filter toward back of range hood using handles.
2. Pivot front of filter upward.
3. Remove downwards to the rear.

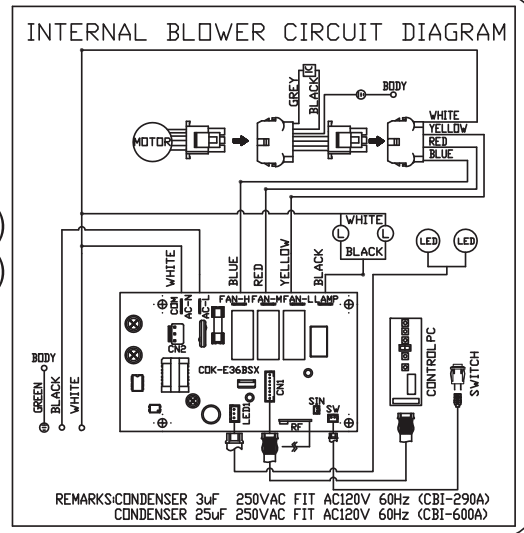


TROUBLESHOOTING PROCEDURES FOR OKEANITO

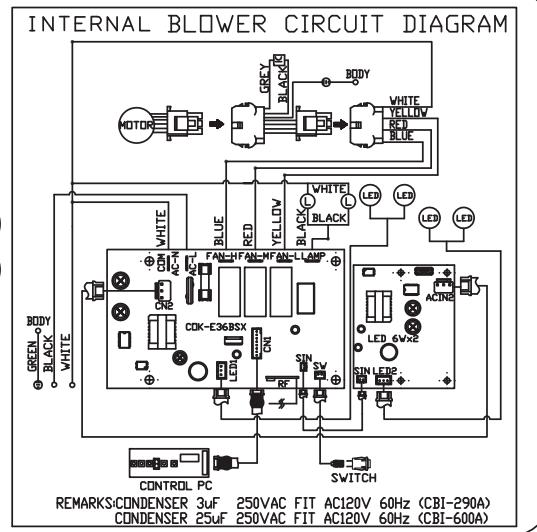
Issue	Cause	What to do
After installation, the unit doesn't work.	1. The power source is not turned ON.	1. Make sure the circuit breaker and the unit's power is ON.
	2. The power line and the cable locking connector is not connecting properly.	2. Check the power connection with the unit is connected properly.
	3. The switch board and control board wirings are disconnected.	3. Make sure the wirings between the switch board and control board are connected properly.
	4. The switch board or control board is defective.	4. Change the switch board or control board.
Light works, but blower is not turning.	1. Wire harness from external or internal blower might be disconnected.	1. Make sure the wires are connected to the control board box
	2. Blower moxex plug pin is not making contact.	2. Disconnect the blower moxex plug, check pins inside plug to see if pin is pushed inside the plug too far. Reseat pin if needed.
	3. The blower is defective, possibly seized.	3. Change the blower.
	4. The thermally protected system detects if the blower is too hot to operate and shuts the blower down.	4. The blower will function properly after the thermally protected system cool down.
	5. Damaged capacitor.	5. Change the capacitor.
The unit is vibrating.	1. The blower is not secure in place.	1. Tighten the blower in place.
	2. Damaged blower wheel/makes noise.	2. Change the blower.
	3. The hood is not secured in place.	3. Check the installation of the hood.
The unit is whistling.	1. A filter is not in the correct position.	1. Adjust the filters until the whistling stops.
	2. The duct pipe connections are not sealed or connected properly.	2. Check the duct pipe connections to be sure all connections are sealed properly.
The blower is working, but the lights are not.	1. The light socket plug is disconnected.	1. Connect the light socket plug.
	2. Defective LED bulb.	2. Change the LED bulb.
The hood is not venting out properly.	1. The hood might be hanging too high from the cook top.	1. Adjust the distance between the cook top and the bottom of the hood within 28" and 36" range.
	2. The wind from the opened windows or opened doors in the surrounding area are affecting the ventilation of the hood.	2. Close all the windows and doors to eliminate the outside wind flow.
	3. Blocking in the duct opening or ductwork.	3. Remove all the blocking from the duct work or duct opening.
	4. There are too many turns within the ducting.	4. Limit number of turns and/or increase duct size.
	5. Using the wrong size of ducting.	5. Change the ducting to at least 6" or higher for the internal blower and 8" or higher for the external blower.
Filter is vibrating.	1. Baffle filter is loose.	1. Remove filter and reinstall it or change the baffle filter
After hood has been installed for a period of time, it stopped working.	1. Control board needs to be reset.	1. Turn circuit breaker which controls the hood off for at least 15 minutes. Turn it back on and this should fix the problem.
	2. Defective control board.	2. Replace control board.

Wiring Diagrams

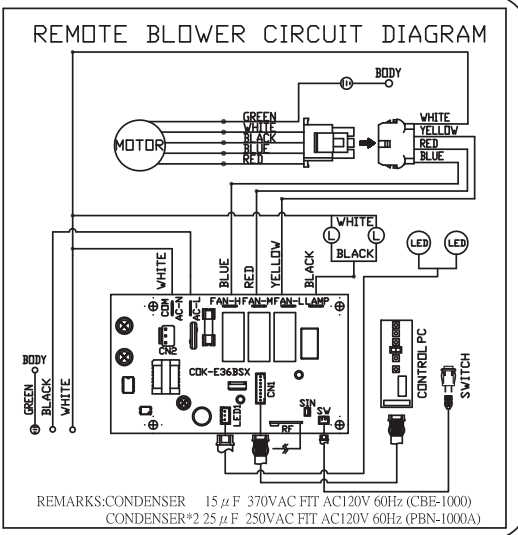
Model: COK-E36/42BSX
 Voltage 120V 60Hz
 Power consumption
 Total: Max. 170W @ 1.4A (CBI-290A)
 Max. 400W @ 3.3A (CBI-600A)
 Fan: 75W(CBI-290A)
 305W(CBI-600A)
 Lamp: Max.6Wx2 + 40Wx2
THERMALLY PROTECTED



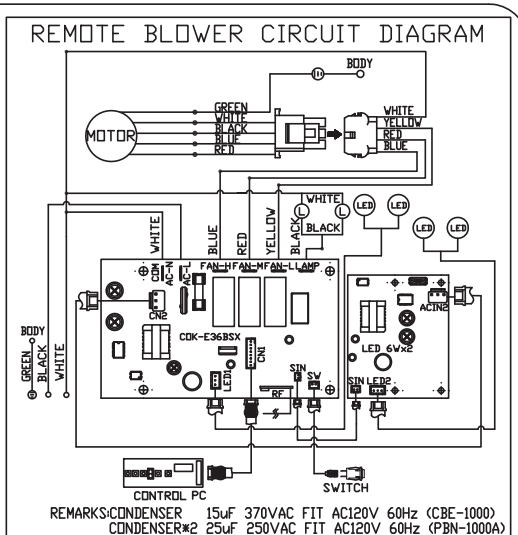
Model: COK-E48BSX
 Voltage 120V 60Hz
 Power consumption
 Total: Max. 182W @ 1.5A (CBI-290A)
 Max. 412W @ 3.4A (CBI-600A)
 Fan: 75W(CBI-290A)
 305W(CBI-600A)
 Lamp: Max.6Wx4 + 40Wx2
THERMALLY PROTECTED



Model: COK-E36/42BSX
 Voltage 120V 60Hz
 Power consumption
 Total: Max. 795W @ 6.7A (CBE-1000)
 Max. 645W @ 5.4A (PBN-1000A)
 Fan: 700W(CBE-1000)
 550W(PBN-1000A)
 Lamp: Max. 6Wx2 + 40Wx2
THERMALLY PROTECTED
 For Residential Use Only



Model: COK-E48BSX
 Voltage 120V 60Hz
 Power consumption
 Total: Max. 807W @ 6.8A (CBE-1000)
 Max. 657W @ 5.5A (PBN-1000A)
 Fan: 700W(CBE-1000)
 550W(PBN-1000A)
 Lamp: Max. 6Wx4 + 40Wx2
THERMALLY PROTECTED
 For Residential Use Only



List of Parts and Accessories

DESCRIPTION	PART #
Replacement Parts	
Light Bulb 6W LED (each)	Z0B-0035
Baffle Filter (each)	50210019
Optional Accessories	
Duct Cover Extension	Z1C-00OK
Single Internal Blower	CBI-290A / CBI-600A
External Blower	CBE-1000
In-Line Blower	PBN-1000A

To order parts, please visit us online at <http://store.zephyronline.com>
or call us at 1.888.880.8368

ESSENTIALS
ZEPHYR
Limited Warranty

STAPLE YOUR RECEIPT HERE
Proof of the original purchase
date is needed to obtain
service under warranty

TO OBTAIN SERVICE UNDER WARRANTY OR FOR ANY SERVICE RELATED QUESTIONS, please call:
1-888-880-8368

Zephyr Corporation (referred to herein as “we” or “us”) warrants to the original consumer purchaser (referred to herein as “you” or “your”) of Zephyr products (the “Products”) that such Products will be free from defects in materials or workmanship as follows:

Three Year Limited Warranty for Parts and LED lamps: For three years from the date of your original purchase of the Products, we will provide, free of charge, Products or parts to replace those that failed due to manufacturing defects. We may choose, in our sole discretion, to repair or replace parts before we elect to replace the Products.

One Year Limited Warranty for Labor: For one year from the date of your original purchase of the Products, we will provide, free of charge, the labor cost associated with repairing the Products or parts to replace those that failed due to manufacturing defects. After the first year from the date of your original purchase, you are responsible for all labor costs associated with this warranty.

Warranty Exclusions: This warranty covers only repair or replacement, at our option, of defective Products or parts and does not cover any other costs related to the Products including but not limited to: (a) normal maintenance and service required for the Products and consumable parts such as metal and carbon filters and fuses; (b) any Products or parts which have been subject to freight damage, misuse, negligence, accident, faulty installation or installation contrary to recommended installation instructions, improper maintenance or repair (other than by us); (c) commercial use of the Products or use otherwise inconsistent with its intended purpose; (d) natural wear of the finish of the Products or wear caused by improper maintenance, use of corrosive and abrasive cleaning products, pads, and oven cleaner products; (e) chips, dents or cracks caused by abuse or misuse of the Products; (f) service trips to your home to teach you how to use the Products; or (g) damage to the Products caused by accident, fire, floods or act of God. If you are outside our service area, additional charges may apply for shipping costs for warranty repair at our designated service locations and for the travel cost to have a service technician come to your home to repair, remove or reinstall the Products. After the first year from the date of your original purchase, you are also responsible for all labor costs associated with this warranty.

Limitations of Warranty. OUR OBLIGATION TO REPAIR OR REPLACE, AT OUR OPTION, SHALL BE YOUR SOLE AND EXCLUSIVE REMEDY UNDER THIS WARRANTY. WE SHALL NOT BE LIABLE FOR INCIDENTAL, CONSEQUENTIAL OR SPECIAL DAMAGES ARISING OUT OF OR IN CONNECTION WITH THE USE OR PERFORMANCE OF THE PRODUCTS. THE EXPRESS WARRANTIES IN THE PRECEDING SECTION ARE EXCLUSIVE AND IN LIEU OF ALL OTHER EXPRESS WARRANTIES. WE HEREBY DISCLAIM AND EXCLUDE ALL OTHER EXPRESS WARRANTIES FOR THE PRODUCTS, AND DISCLAIM AND EXCLUDE ALL WARRANTIES IMPLIED BY LAW, INCLUDING THOSE OF MERCHANTABILITY AND FITNESS FOR A PARTICULAR PURPOSE. Some states or provinces do not allow limitations on the duration of an implied warranty or the exclusion or limitation of incidental or consequential damages, so the above limitations or exclusions may not apply to you. To the extent that applicable law prohibits the exclusion of implied warranties, the duration of any applicable implied warranty is limited to the same two-year period described above. Any oral or written description of the Products is for the sole purpose of identifying the Products and shall not be construed as an express warranty. Prior to using, implementing or permitting use of the Products, you shall determine the suitability of the Products for the intended use, and you shall assume all risk and liability whatsoever in connection with such determination. We reserve the right to use functionally equivalent refurbished or reconditioned parts or Products as warranty replacements or as part of warranty service. This warranty is not transferable from the original purchaser and applies in the United States and Canada.

To Obtain Service Under Limited Warranty: To qualify for warranty service, you must: (a) notify us at the address or telephone number stated below within 60 days of the discovery of the defect; (b) give the model number and part identification number and serial number; and (c) describe the nature of any defect in the Product or part. At the time of the request for warranty service, you must present evidence of your proof of purchase and proof of the original purchase date. If we determine that the warranty exclusions listed above apply or if you fail to provide the necessary documentation to obtain service, you will be responsible for all shipping, travel, labor and other costs related to the services.

Please check our website for any revisions, www.zephyronline.com.

Zephyr Corporation Service Department, 2277 Harbor Bay Parkway, Alameda, CA 94502 1-888-880-8368