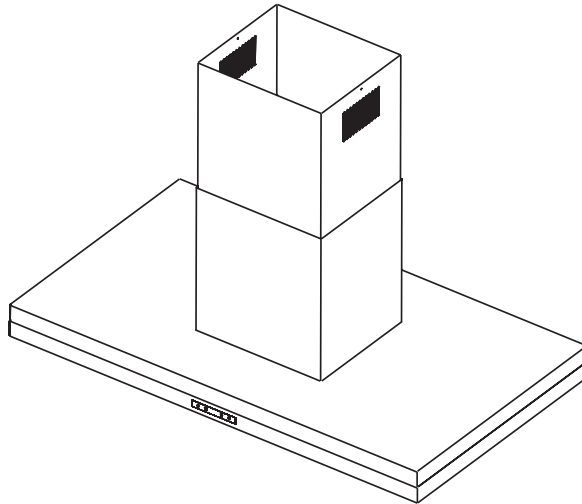


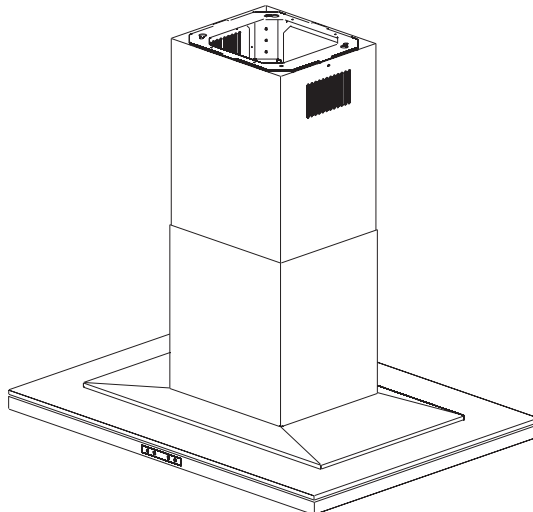
Duo Is.

ADL-M90ASX
ADL-E42ASX



Layers Is.

ALL-M90ABX
ALL-M90AWX
ALL-E42AWX
ALL-E42ABX



F HOTTE PER CUISINE - Notice d'utilisation...Pag. 25

E CAMPANA EXTRACTORA - Manual de utilización...Pag. 48

I CAPPASPIRANTE - istruzioni per l'uso...Pag. 73

SAFETY INSTRUCTIONS.....pag. 4

LIST OF MATERIALS.....pag. 7

DUCTING CALCULATION SHEETS.....pag. 9

HOOD SPECIFICATION.....pag. 10

INSTALLATION

- **INTERNAL BLOWER.....pag. 12**
- **EXTERNAL & IN-LINE BLOWER PREPARATION.....pag. 14**
- **DUCTING OPTIONS.....pag. 16**
- **MOUNTING THE RANGE HOOD.....pag. 17**
- **POWER SUPPLY CONNECTION.....pag. 20**

MAINTENANCE.....pag. 22

LIST OF PARTS AND ACCESSORIES.....pag. 23

Safety instructions

■ IMPORTANT SAFETY INSTRUCTIONS

■ FOR RESIDENTIAL USE ONLY

■ READ AND SAVE THESE INSTRUCTIONS

■ PLEASE READ ENTIRE INSTRUCTIONS BEFORE PROCEEDING.

■ **IMPORTANT:** Save these Instructions for the Local Electrical Inspectors use.

■ **INSTALLER:** Please leave these Instructions with this unit for the owner.

■ **OWNER:** Please retain these instructions for future reference.

■ Take care when using cleaning agents or detergents.

■ Suitable for use in household cooking area

■ **WARNING** - To reduce the risk of fire or electric shock, do not use this fan with any Solid-State Speed Control Device.

■ **CAUTION** - To reduce risk of fire and to properly exhaust air, be sure to duct air outside – Do not vent exhaust air into spaces within walls or ceilings or into attics, crawl spaces, or garages.

■ **CAUTION** - For general ventilating use only. Do not use to exhaust hazardous or explosive materials and vapors.

■ **CAUTION** - To avoid motor bearing damage and noisy and/or unbalanced impellers, keep drywall spray, construction dust, etc. off power unit.

■ **CAUTION** - Please read specification label on product for further information and requirements.

■ **WARNING** – TO REDUCE THE RISK OF FIRE, ELECTRIC SHOCK, OR INJURY TO PERSONS, OBSERVE THE FOLLOWING:

A. Use this unit only in the manner intended by the manufacturer. If you have questions, contact the manufacturer.

B. Before servicing or cleaning unit, switch power off at service panel and lock the service disconnecting means to prevent power from being switched on accidentally. When the service disconnecting means cannot be locked, securely fasten a prominent warning device, such as a tag, to the service panel.

■ **WARNING - TO REDUCE THE RISK OF A RANGE TOP GREASE FIRE:**

A. Never leave surface units unattended at high settings. Boilovers cause smoking and greasy spillovers that may ignite. Heat oils slowly on low or medium

settings.

- B.** Always turn hood ON when cooking at high heat or when flambeing foods (i.e. Crepes Suzette, Cherries Jubilee, Peppercorn Beef Flambè).
- C.** Clean ventilating fans frequently. Grease should not be allowed to accumulate on fan or filter.
- D.** Use proper pan size. Always use cookware appropriate for the size of the surface element.
- E.** Keep fan, filters and grease laden surface clean.
- F.** Use high range setting on range only when necessary. Heat oil slowly on low to medium setting.
- G.** Don't leave range unattended when cooking.
- H.** Always use cookware and utensils appropriate for the type and amount of food being prepared.

■ **WARNING** – TO REDUCE THE RISK OF INJURY TO PERSONS IN THE EVENT OF A RANGE TOP GREASE FIRE, OBSERVE THE FOLLOWING:

- A.** SMOTHER FLAMES with a close-fitting lid, cookie sheet, or metal tray, then turn off the burner. BE CAREFUL TO PREVENT BURNS. If the flames do not go out immediately, EVACUATE AND CALL THE FIRE DEPARTMENT.
- B.** NEVER PICK UP A FLAMING PAN – You may be burned.
- C.** DO NOT USE WATER, including wet dishcloths or towels – a violent steam explosion will result.
- D.** Use an extinguisher ONLY if:
 1. You know you have a Class ABC extinguisher, and you already know how to operate it.
 2. The fire is small and contained in the area where it started.
 3. The fire department is being called.
 4. You can fight the fire with your back to an exit.

aBased on "kitchen firesafety tips" published by NFPA

Proper maintenance of the Range Hood will assure proper performance of the unit.

■ **INSTALLATION INSTRUCTIONS**

WARNING – TO REDUCE THE RISK OF FIRE, ELECTRIC SHOCK, OR INJURY TO PERSONS, OBSERVE THE FOLLOWING:

- A.** Installation work and electrical wiring must be done by qualified person(s) in accordance with all applicable codes and standards, including fire-rated construction.
- B.** Sufficient air is needed for proper combustion and exhausting of gases

Safety instructions

through the flue (chimney) of fuel burning equipment to prevent back drafting. Follow the heating equipment manufacturer's guideline and safety standards such as those published by the National Fire Protection Association (NFPA), and the American Society for Heating, Refrigeration and Air Conditioning Engineers (ASHRAE), and the local code authorities.

C. When cutting or drilling into wall or ceiling, do not damage electrical wiring and other hidden utilities.

D. Ducted fans must always be vented to the outdoors.

E. This unit must be grounded.

■ **WARNING** - TO REDUCE THE RISK OF FIRE, USE ONLY METAL DUCTWORK.

■ **WARNING** - UNDER CERTAIN CIRCUMSTANCES DOMESTIC APPLIANCES MAY BE DANGEROUS.

A. Do not check filters with hood working.

B. Do not touch the lamps after a prolonged use of the appliance.

C. No food must be cooked flambé underneath the hood.

D. The use of an unprotected flame is dangerous for the filters and could cause fires.

E. Watch constantly the fried food in order to avoid the cooking oil flares up.

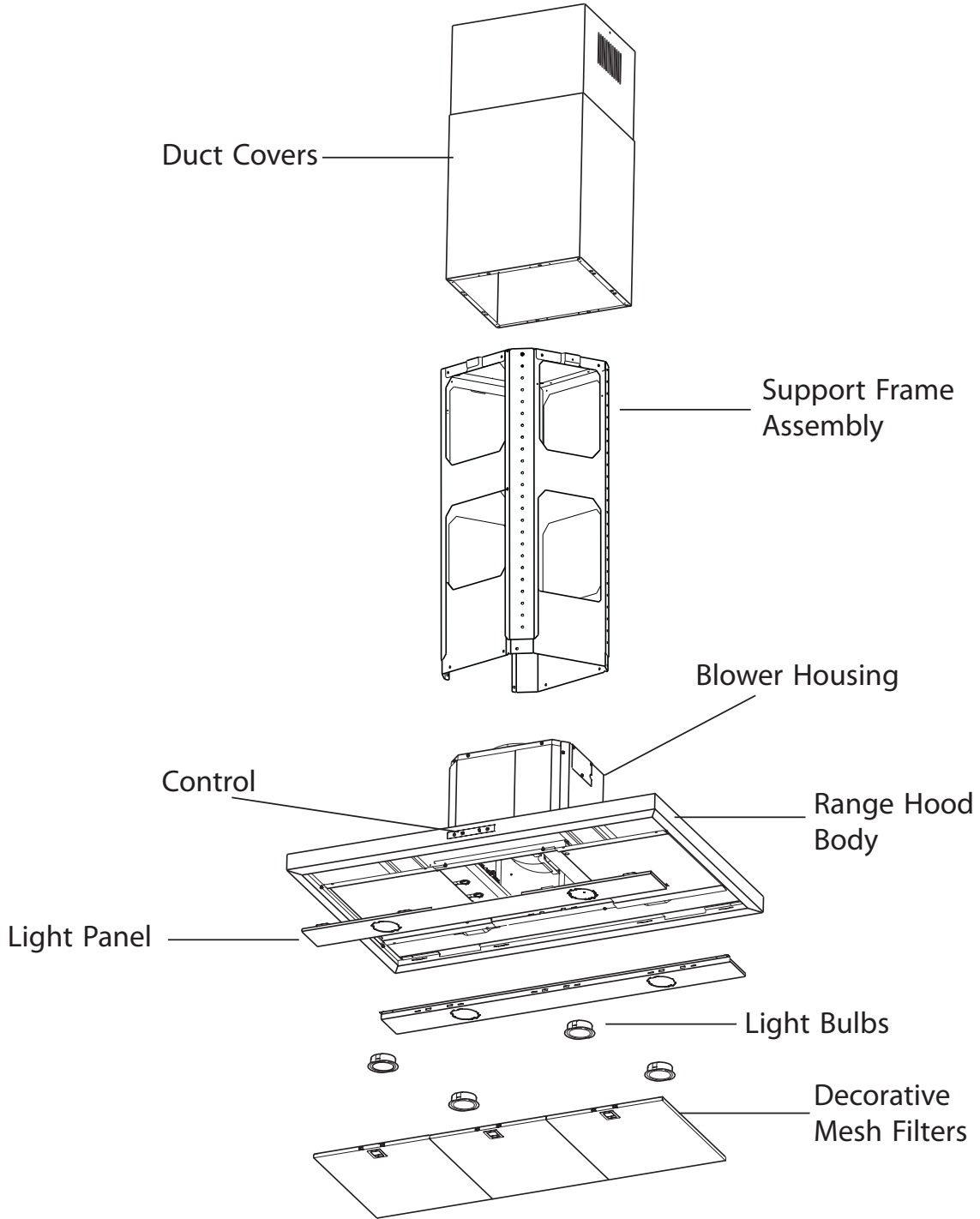
F. before performing any maintenance operation, disconnect the hood from the electrical service.


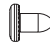

WARNING! For models ADL-M90ASX and ADL-E42ASX never lean on the hood's body any object weighing more than 33,1lb (15kg), although evenly spread over the whole surface.

■ The manufacturers will not to accept any responsibility for eventual damages, because of failure to observe the above instructions.

Models: ADL-M90ASX / ADL-E42ASX

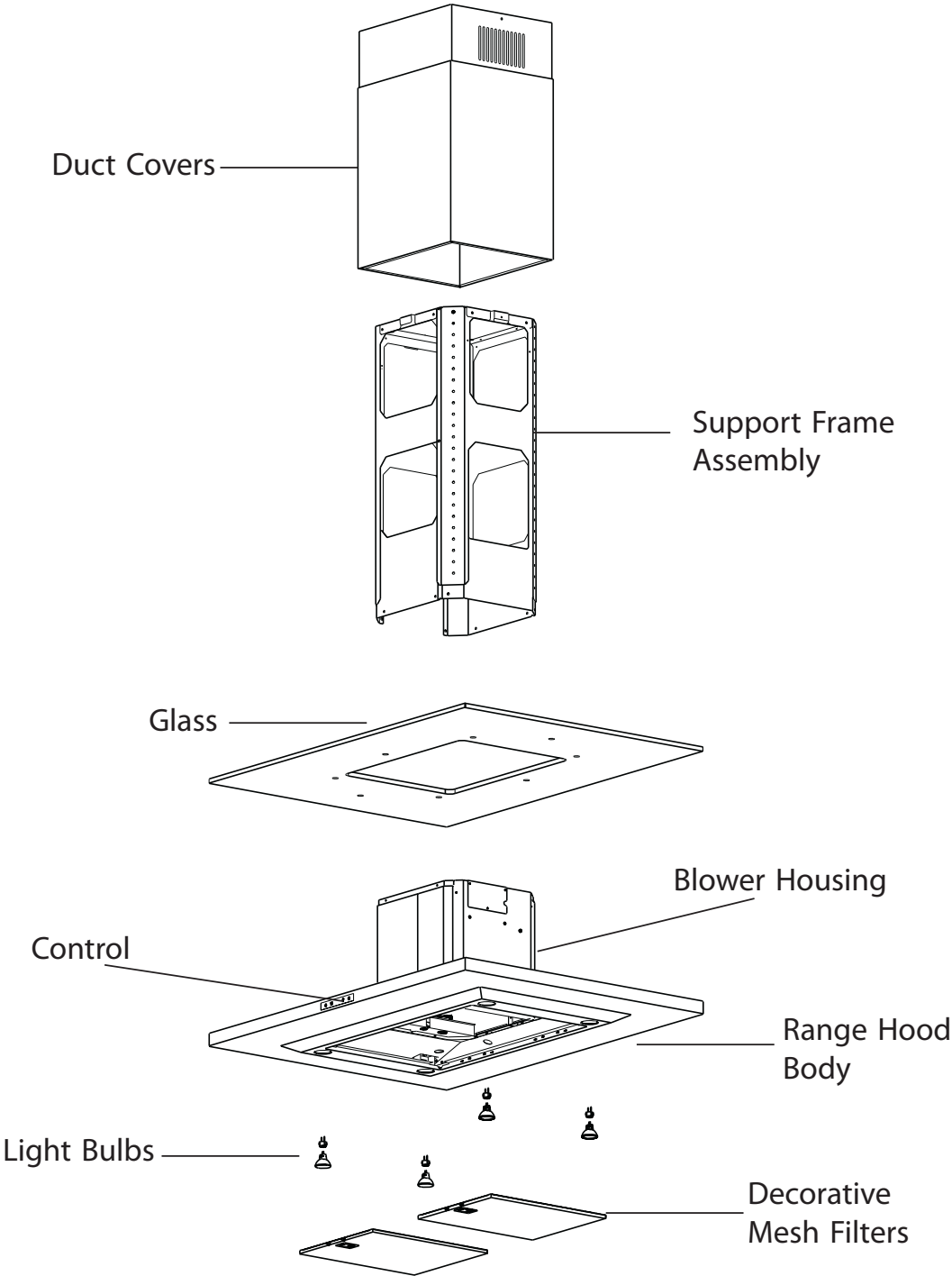
List of Materials


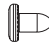
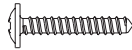


TYPE		DESCRIPTION	N°
A		M4	1 + 1
B		1/8" x 1/4"	28
C		1/4" x 2-3/4"	4

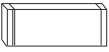


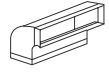
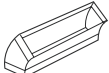

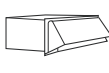
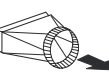



List of Materials

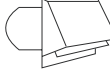


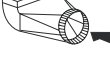





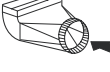
Models: ALL-M90ABX / ALL-M90AWX / ALL-E42AWX / ALL-E42ABX



TYPE		DESCRIPTION	N°
A		M4	1 + 1
B		1/8" x 1/4"	28
C		1/4" x 2-3/4"	4

Ducting Calculation Sheet

duct pieces		Equivalent number length x used =	Total
	3-1/4" x 10" Rect., straight	1 Ft. x () =	Ft.
	7" Round, straight	1 Ft. x () =	Ft.
	8" Round, straight	1 Ft. x () =	Ft.
	3-1/4" x 10" Rect. 90° elbow	15 Ft. x () =	Ft.
	3-1/4" x 10" Rect. 45° elbow	9 Ft. x () =	Ft.
	3-1/4" x 10" Rect. 90° flat elbow	24 Ft. x () =	Ft.
	3-1/4" x 10" Rect. wall cap with damper	30 Ft. x () =	Ft.
	3-1/4" x 10" Rect. to 6" round transition	5 Ft. x () =	Ft.
	3-1/4" x 10" Rect. to 6" round transition 90° elbow	20 Ft. x () =	Ft.
	6" Round, 90° elbow	15 Ft. x () =	Ft.
	6" Round, 45° elbow	9 Ft. x () =	Ft.
Subtotal column 1 =			Ft.

duct pieces		Equivalent number length x used =	Total
	6"- 8" Round wall cap with damper	30 Ft. x () =	Ft.
	6"- 8" Round, roof cap	30 Ft. x () =	Ft.
	6" round to 3-1/4" x 10" rect. transition	1 Ft. x () =	Ft.
	6" round to 3-1/4" x 10" rect. transition 90° elbow	16 Ft. x () =	Ft.
	7" or 8" Round, 90° elbow	15 Ft. x () =	Ft.
	7" or 8" Round, 45° elbow	9 Ft. x () =	Ft.
	7" or 8" Round wall cap with damper	30 Ft. x () =	Ft.
	7" or 8" Round, roof cap	30 Ft. x () =	Ft.
	7" round to 3 1/4" x 10" rect. transition	8 Ft. x () =	Ft.
	7" round to 3-1/4" x 10" rect. transition 90° elbow	23 Ft. x () =	Ft.
Subtotal column 2 =			Ft.
Subtotal column 1 =			Ft.
Total Ductwork =			Ft.

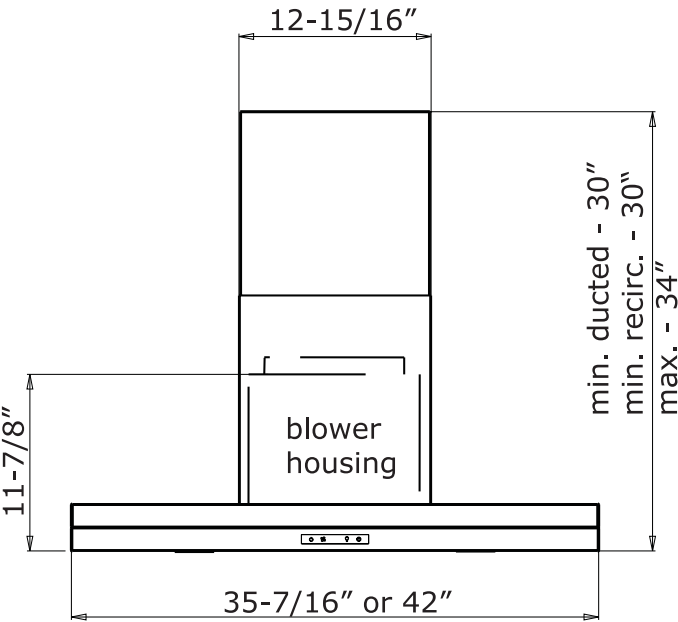
Maximum Duct Length:

For satisfactory air movement, the total duct length should not exceed 100 equivalent feet.

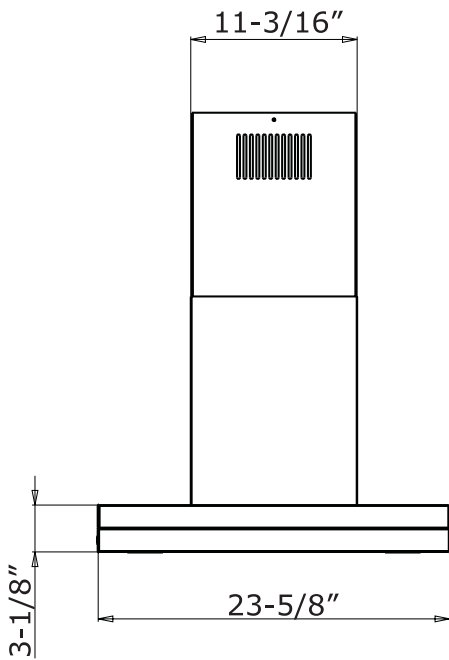
Hood Specifications

Models: ADL-M90ASX / ADL-E42ASX

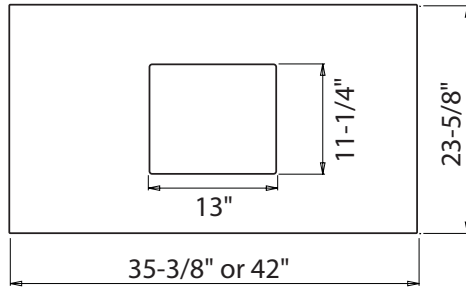
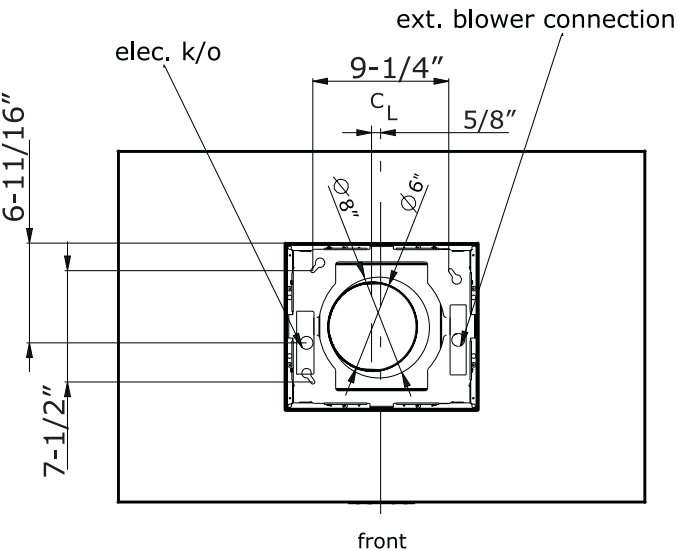
front of hood



side of hood



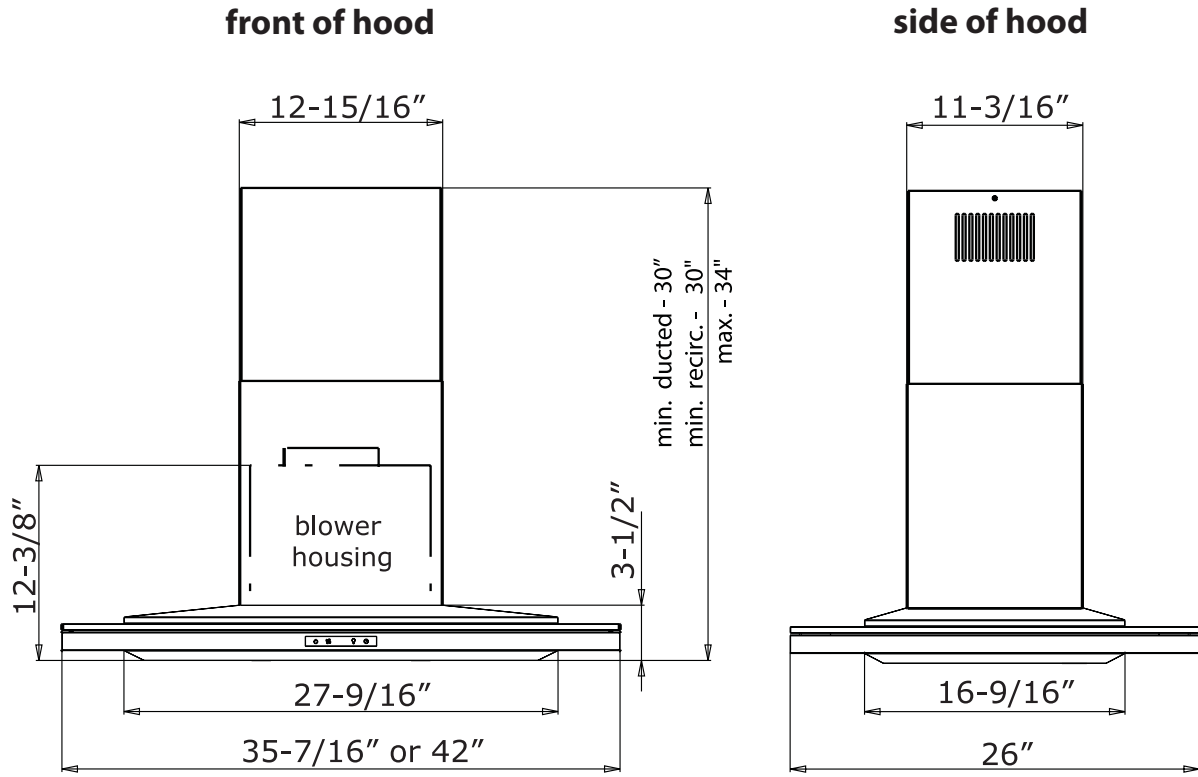
top of hood



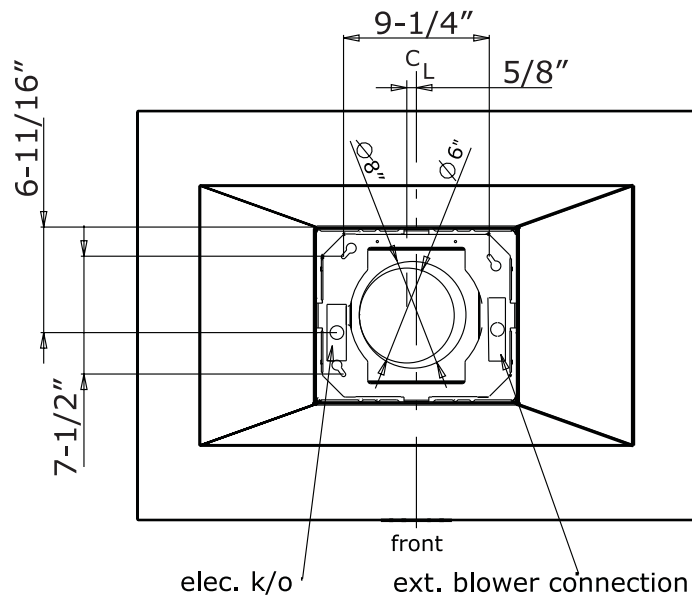
Wood Trim Dimensions
1-5/8" Thickness

Models: ALL-M90ABX / ALL-M90AWX / ALL-E42AWX / ALL-E42ABX

Hood Specifications



top of hood

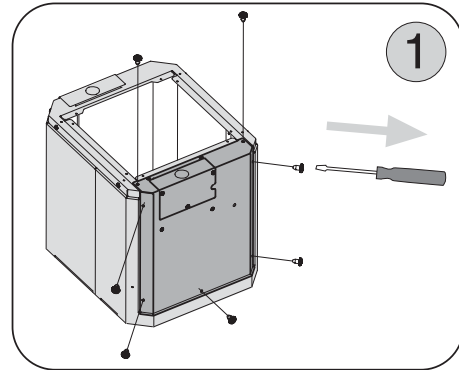


Installation - Internal Blower

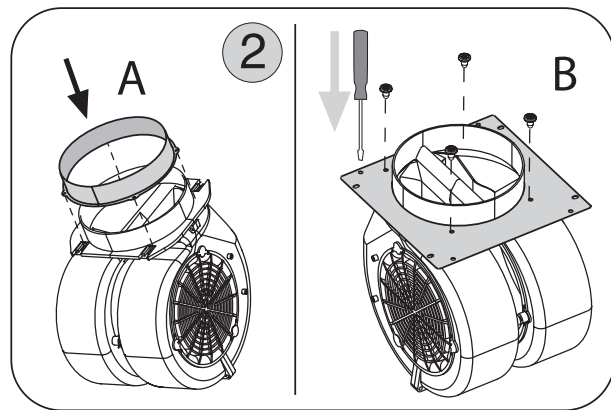
■ The following instructions are for installing the internal blower.
CAUTION: To reduce the risk of fire and electric shock, install this range-hood only with internal blower models MT-020 provided with the kit cod CBI-600A.

For external and in-line blower preparation please turn to page 14.

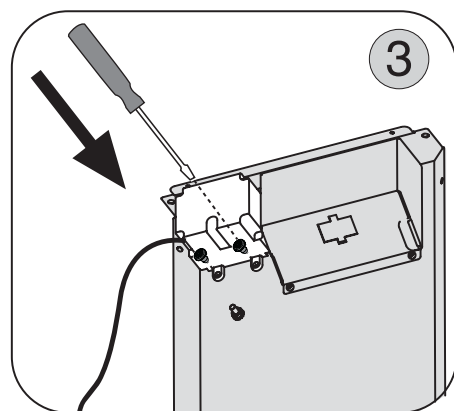
1. Remove the (7) screws securing the remote motor support bracket to the motor housing and then remove the bracket. See Fig.1



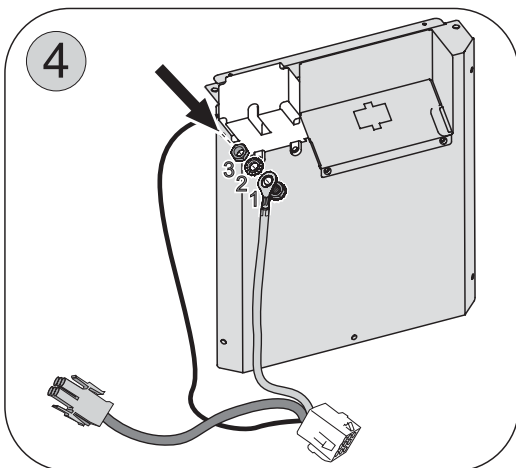
2. Insert the 6" sheet metal flange in the motor air exhaust outlet. Fig. 2A Then insert the plate (supplied with the motor) and secure all parts using the (4) screws. Fig.2B



3. Secure the condenser, connected to the supplied wire, to the bracket using the (2) type B) screws. See Fig.3



4. Secure the green/yellow ground wire, connected to the wire supplied with the condenser, using the screw on the bracket. (type A) Fig. 4



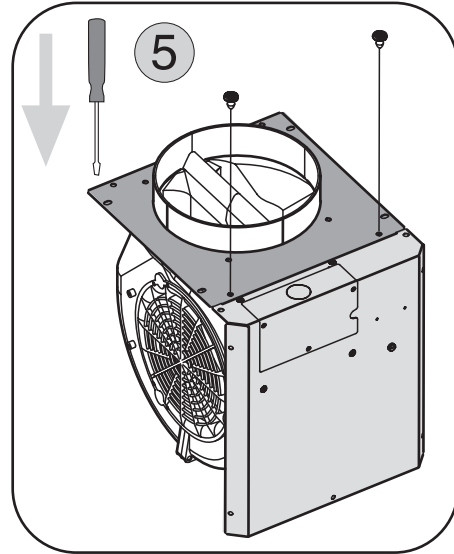
5. Connect the plate and the motor, on the remote motor support bracket, securing it using the (2) type B) screws. Fig. 5

Installation - Internal Blower

6. Attach the 6 pin male molex connector from blower wire to the 6 pin female molex connector located inside the blower housing. See Fig.6

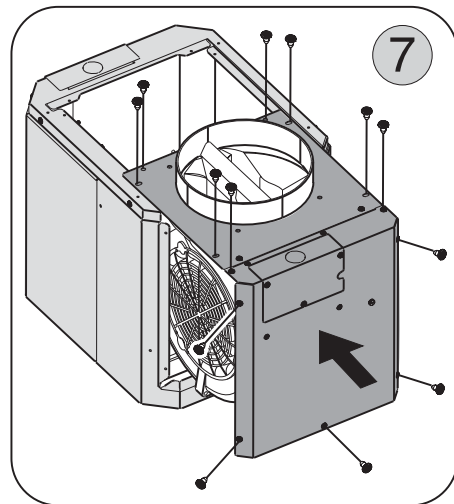
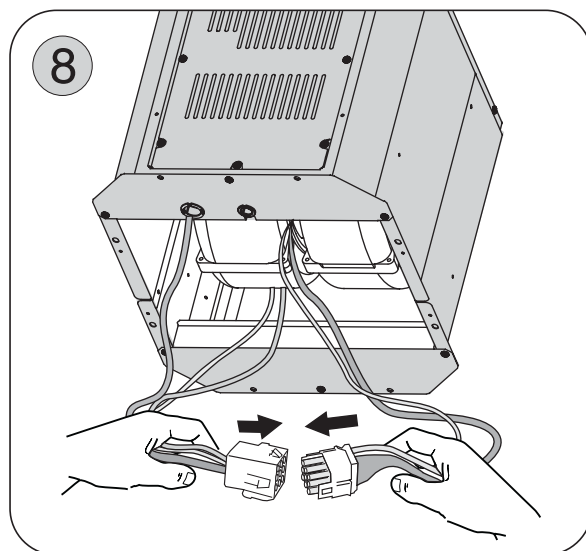
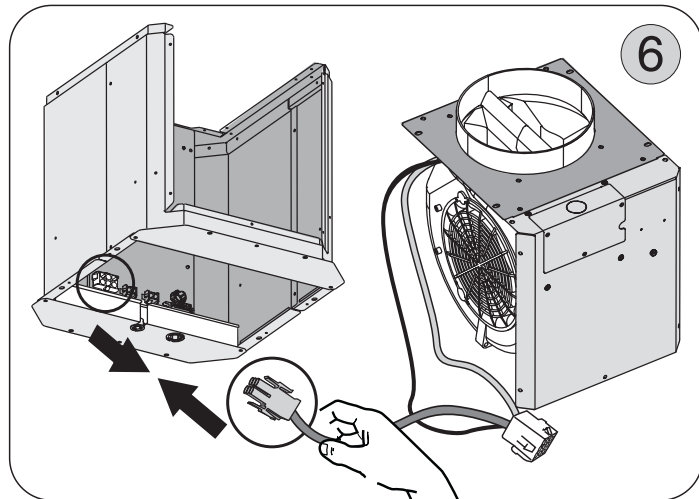
7. Install the motor and bracket, inside the motor housing, completing the installation using the other screws (6 type B)that have been supplied. (Tot. 13 type B). Fig. 7

8. Connect 9 pin male molex connector from blower wire to 9 pin female molex connector on the capacitor wire. See Fig.8



WARNING! Place electrical wiring inside the blower housing.

The hood is now ready to be installed on the wall.

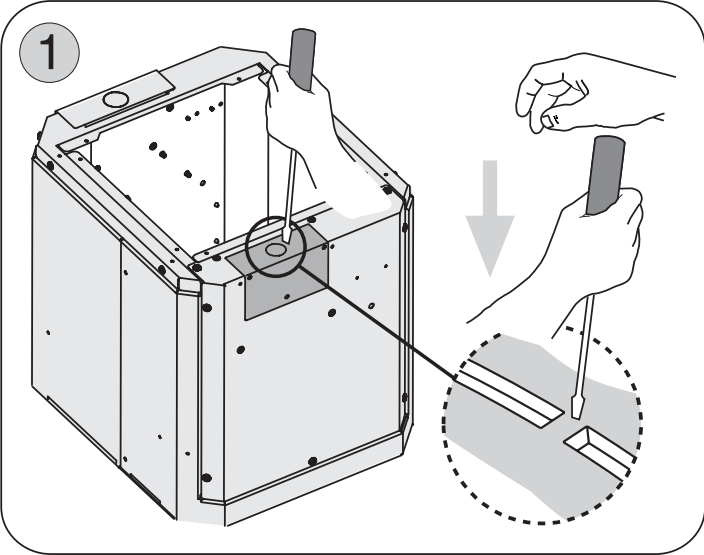


Installation - External & In-Line Blower Preparation

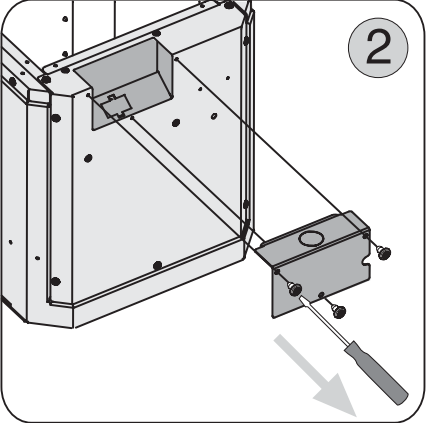
■ The following instructions are for preparing the hood for use with an external or in-line blowers models CBE-1000 or PBN-1000A.
CAUTION: To reduce the risk of fire and electric shock, install this rangehood only with remote blowers rated maximum 6.2 A.

For internal blower instructions please turn to page 12.

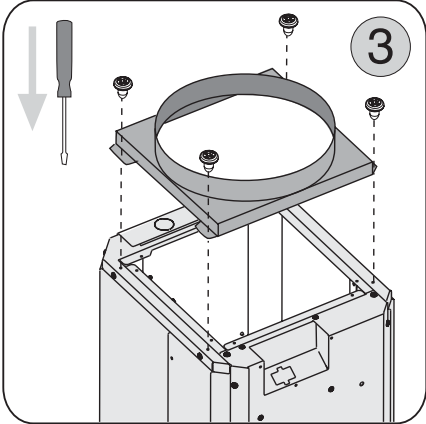
- 1. Break out the partially pre-cut circle in the lid, located on the remote motor support bracket, using a flat head screwdriver. Fig. 1
- 2. Remove the cover by undoing the (3) screws. Fig. 2



- 3. Secure 8" round blower collar to top of blower housing using (4 type B) screws. Fig.3
- 4. Insert the female connector into the remote motor support bracket enclosure. Fig.4



- 5. Pass the wires of the remote motor through the hole in the cover that was previously removed and connect them with those of the connector located in the enclosure. Fig. 5



Note: Carry out the power supply connection in accordance with the national electric code, ANSI/NFPA 70-1999.

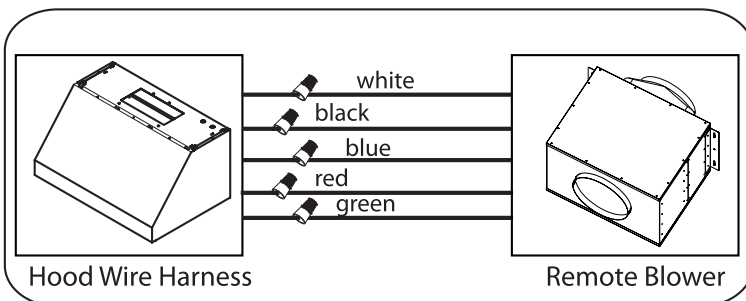
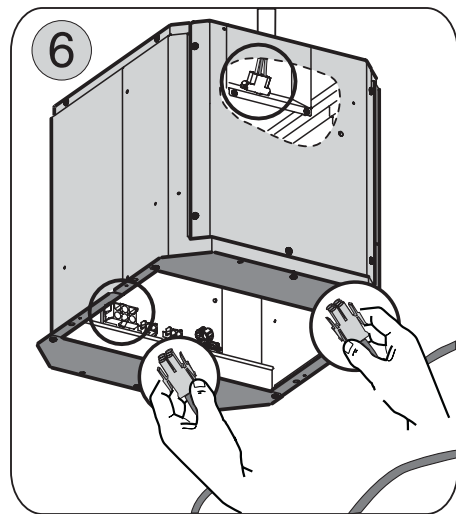
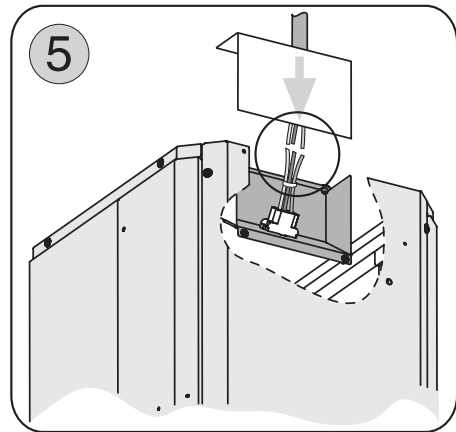
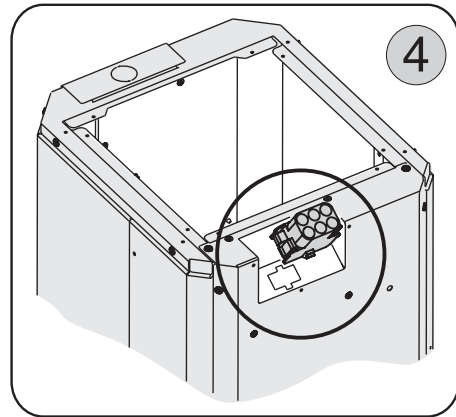
Note1: A cable lock (not included) may be required by local codes. Please review local codes for more information.

6. Reinstall the cover on the motor housing by following the instructions from step 2 in reverse order.

7. Attach 6 pin male mox connectors to 6 pin female mox connectors inside blower housing. See Fig. 6

Note2: Check local codes to determine minimum wire gauge.

See manual included with external and in-line blower for instructions on installing the blower.



Installation - Ducting Options

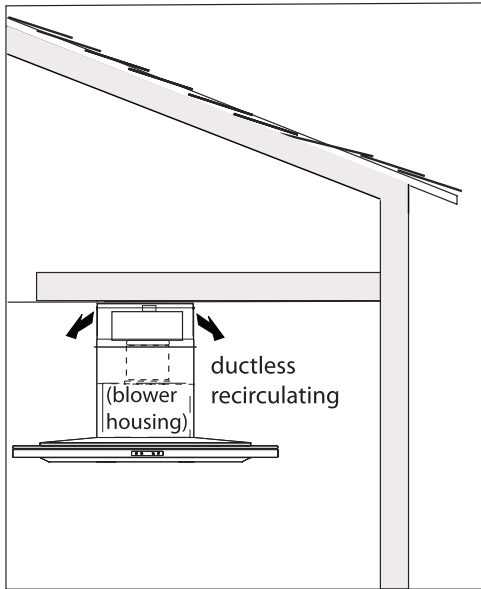
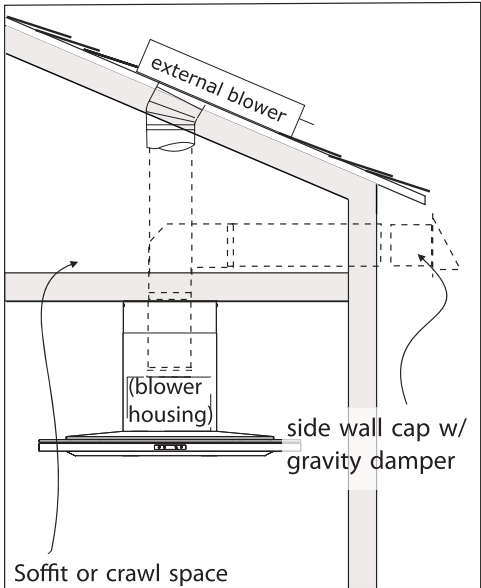
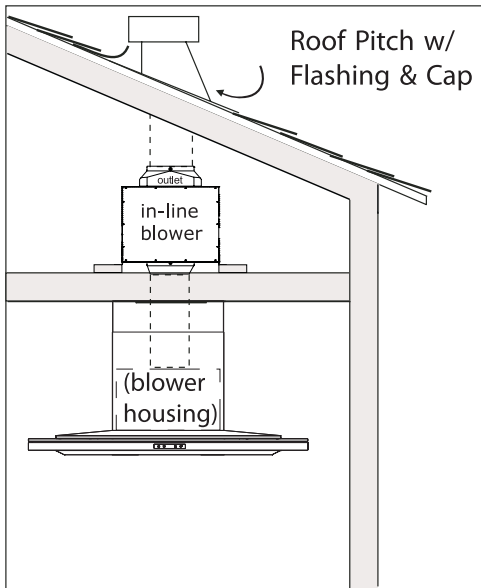
■ WARNING FIRE HAZARD

NEVER exhaust air or terminate duct work into spaces between walls, crawl spaces, ceiling, attics or garages. All exhaust must be ducted to the outside, unless using the recirculating option.

Use single wall rigid Metal ductwork only.

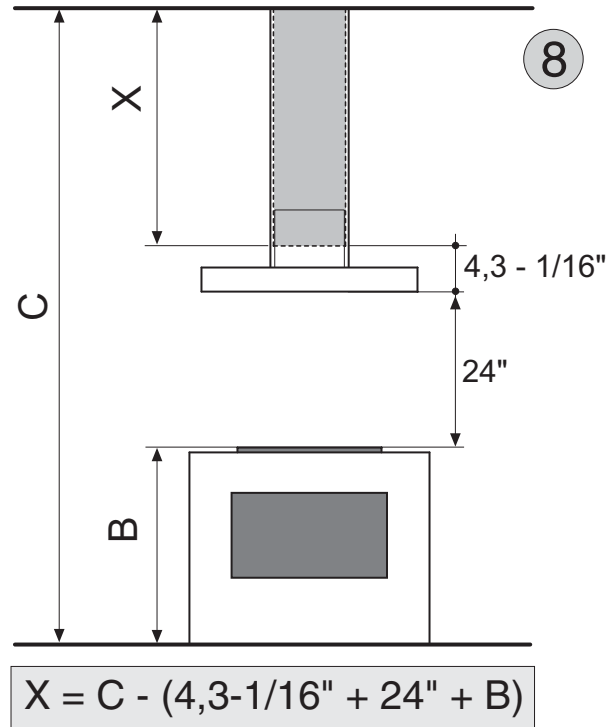
Fasten all connections with sheet metal screws and tape all joints w/certified Silver Tape or Duct Tape.

Some Ducting Options



■ **MOUNTING HEIGHTS**

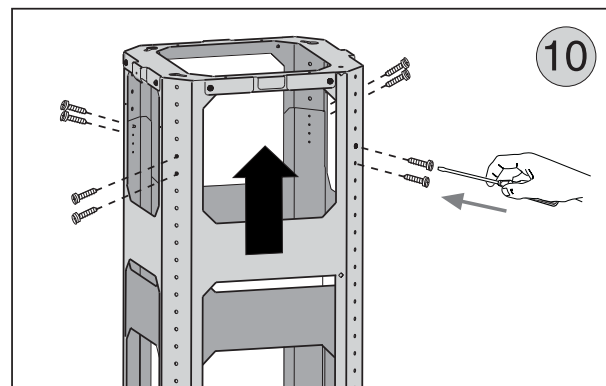
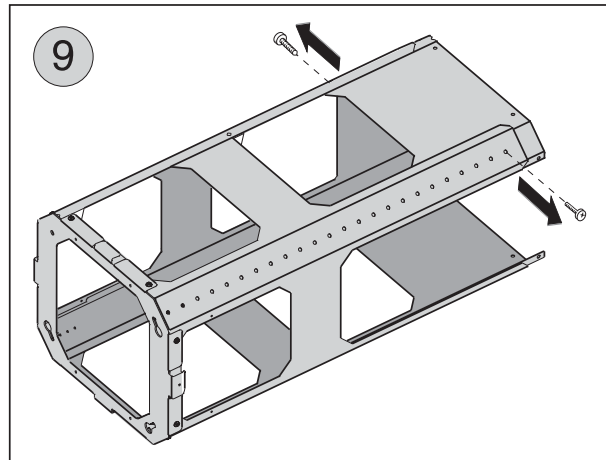
The range hood must be installed at a minimum height of 24 inches (61 cm) from the cooking surface. If a connecting duct work composed of two parts is used, the upper part must be placed outside the lower part. Do not connect the range hood duct to the same duct used to exhaust hot air or fumes from another appliance. Before proceeding with the assembly instructions remove the decorative mesh filters so that the range hood is easier to handle.



■ **MOUNTING TO THE CEILING**

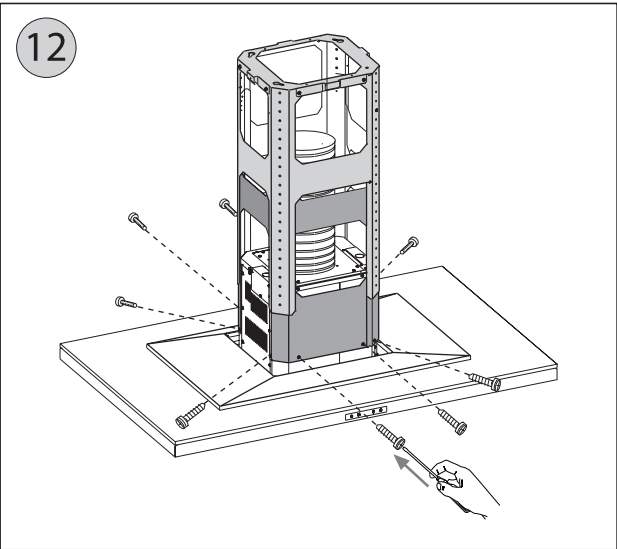
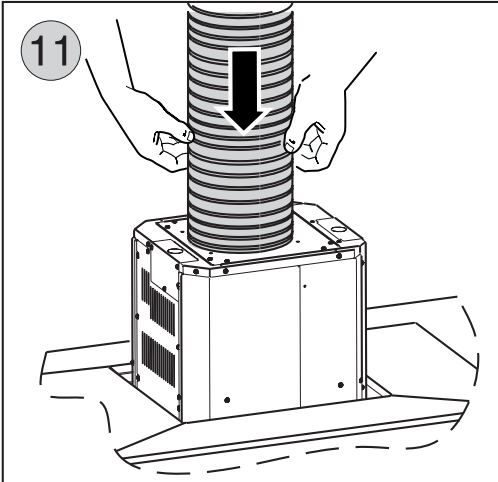
The following instructions assume the installer has access to the attic or crawl space. Each installation may be unique to the home.

1. Remove the (2) screws to unlock the top support frame from the bottom support frame. Fig.9. Adjust the height by referring to the diagram in Fig. 8. Secure the support frames together with (2 type B) screws per extension arm (Tot. 8 type B). Fig.10
2. Place correct size ducting for your installation (not supplied) on top of hood and secure to the blower collar with aluminum duct tape. The ducting should be long enough so it protrudes out the top of the support frame and extends



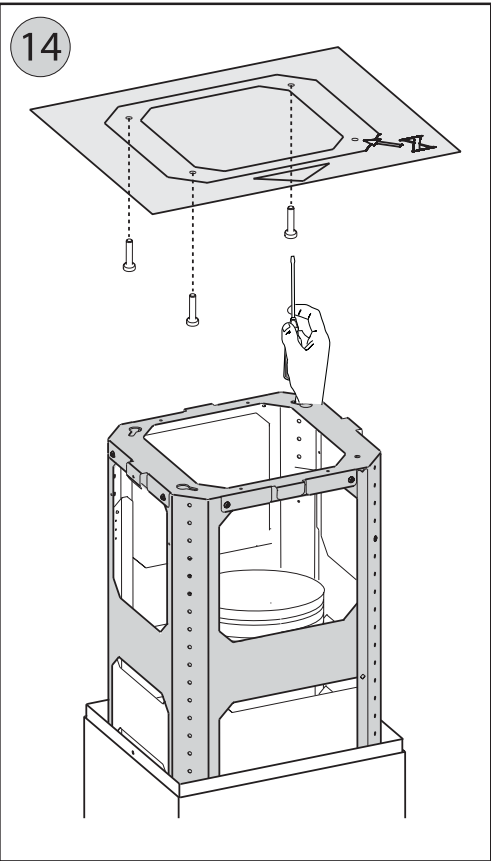
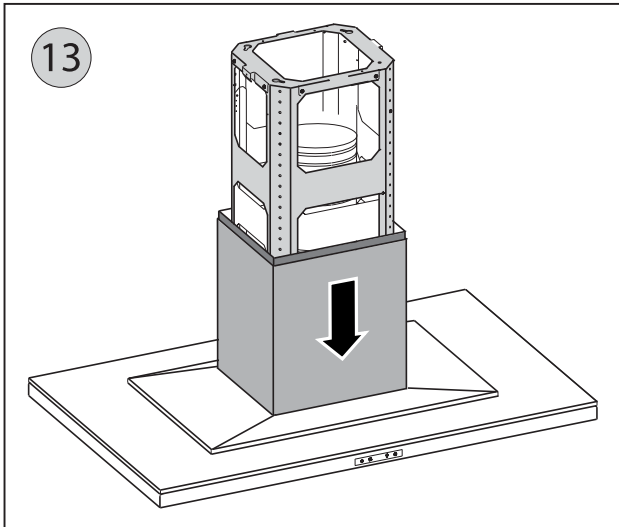
Installation - Mounting the Range Hood

into the attic to connect after the hood is installed. Fig.11



3. Place assembled support frames on top of hood and secure it to the hood body using 8 type B screws. Fig.12

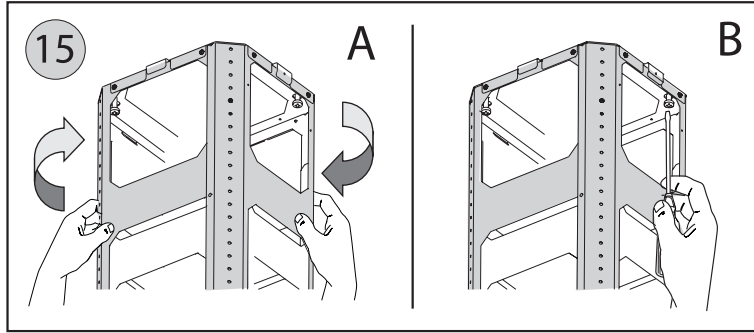
4. Place duct covers over assembled support frame until they rest on



the hood body. Fig.13

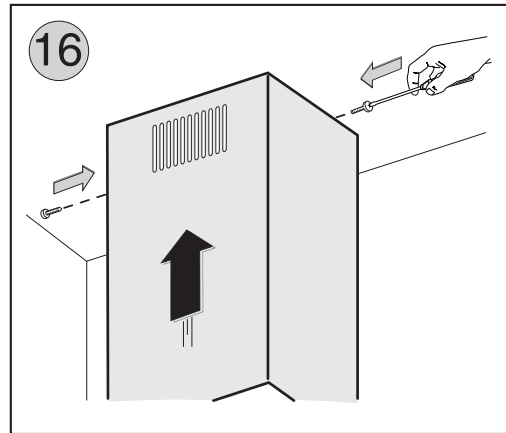
Note! If you ordered a wood trim piece or recirculating kit please refer to the instructions included inside the kits prior to installing the hood to the ceiling.

5. Position hole template on the ceiling paying attention that the arrow is positioned on the same side as the range hood controls.



- Make 4, holes in the ceiling and drive in (3 type C) screws without completely tightening them. Pay attention not to insert the screw into the hole marked with an X on the hole template Fig.14

6. Lift the hood assembly to the ceiling and align the top support frame with the (3) screws previously installed in the ceiling.



- Rotate assembly slightly clockwise to lock in place. Fig.15A. Drive in the fourth screw (type C) and tighten the remaining 3 screws to secure the structure in place. Fig.15B

7. Extend the upper duct cover and secure it to the top support frame by using (2 type B) screws. Fig.16

8. Verify that ducting from hood is connected to ducting in the attic that will exhaust air out of the home.

NOTE: For the various installations use screws and screw anchors suited to the type of ceiling (minimum screw size: 1/4" diameter x 2-3/4" length).

Installation - Power Supply Connection

■ GENERAL

• Carefully read the following important information regarding installation safety and maintenance. Keep this information booklet accessible for further consultations.

■ POWER SUPPLY CONNECTION

For connection to the power supply refer to the following:

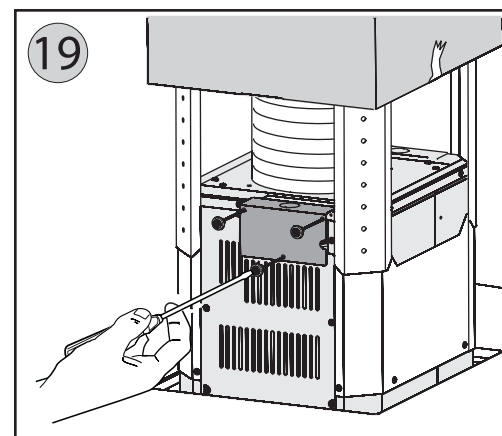
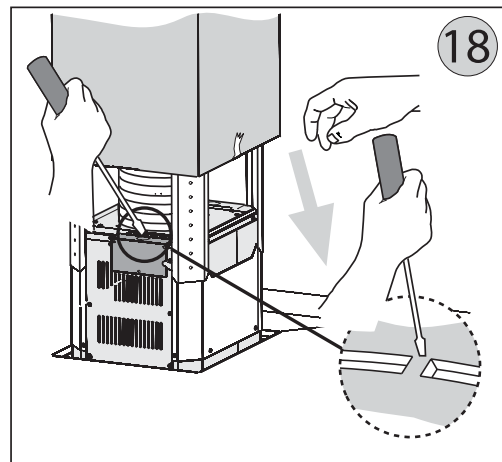
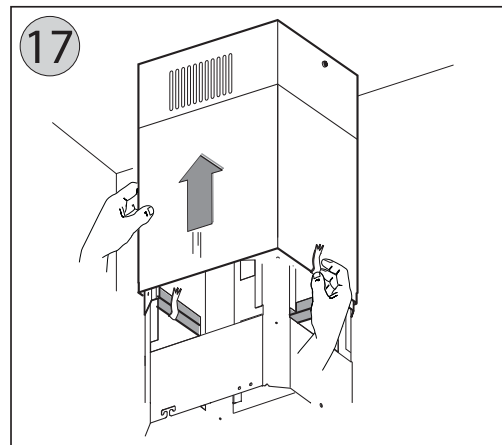
1. Temporarily join the two duct covers by lifting the bottom one and then carefully securing it to the top by using adhesive tape. Fig. 17. Take care not to scratch the duct covers.
2. Break out the partially pre-cut circle in the cover of the mains power connection enclosure using a flat head screwdriver. Fig. 18
3. Remove the power supply cover by undoing the (2) screws. Fig. 19
4. Connect the supply conduit to the cover, then connect the hood to the power supply by making the following connections. Fig. 20:

BLACK = **L** line

WHITE = **N** neutral

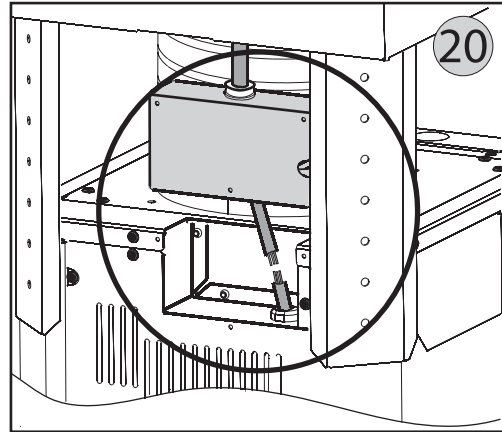
GREEN / YELLOW = **G** ground

- A double-pole switch properly rated must be installed to provide the range hood power supply disconnection.



- Connect the electrical conduit to the Field Wiring Compartment using listed conduit fittings.

- Carry out the power supply connection in accordance with the national electric code, ANSI/NFPA 70-1999.



5. Replace the lid by following the instructions from step 3 in reverse order, ensuring that the tab on the lid is within the enclosure.

6. Remove adhesive tape and lower the bottom duct cover so it rests on top of the hood body.

Maintenance

■ MAINTENANCE

- It is recommended to operate the appliance prior to cooking. It is recommended to leave the appliance in operation for 5 minutes after cooking is completed in order to completely eliminate cooking vapors and odors. The proper function of the range hood is conditioned by the regularity of maintenance.
- The decorative mesh filters capture the grease particles suspended in the air and are therefore subject to clogging because of frequent use. In order to prevent a fire hazard, it is recommended to clean the filter a minimum of every 2 months or when instructed by the Metal Filter Clean indicator on the range hood controls. Clean the range hood by carrying out the following instructions:
 - Remove the filters from the range hood and wash them in a solution of water and neutral liquid detergent, leaving to soak.
 - Rinse thoroughly with warm water and leave to dry.
 - Filters may also be washed in the dishwasher at the lowest setting.The filters may alter in color after several washes but is not cause for replacement.
- Clean the blower and other surfaces of the range hood regularly using a cloth moistened with denatured alcohol or non abrasive liquid detergent.

List of Parts and Accessories

DESCRIPTION	HOOD	PART#
REPLACEMENT PARTS		
Light Bulb G4, 20W (each)	ADL	Z0B0013
Light Bulb GU4, 20W (each)	ALL	Z0B0030
OPTIONAL ACCESSORIES		
Recirculating Kit	ADL, ALL	ZRC-00LL
Replacement Charcoal Filters	ADL, ALL	Z0F-00AC
Duct Cover Extension, Short (9" ceiling)	ADL, ALL	Z1C-00LL
Duct Cover Extension, Long (10"-12" ceiling)	ADL, ALL	Z1C-01LL
Wood Trim, 90cm, Wenge	ADL-M90ASX	AUW-00BR
Wood Trim, 90cm, Charcoal	ADL-M90ASX	AUW-00CH
Wood Trim, 42in, Wenge	ADL-E42ASX	AUW-01BR
Wood Trim, 42in, Charcoal	ADL-E42ASX	AUW-01CH

To order parts, visit us online at <http://store.zephyronline.com> or call us at 1.888.880.8368



3LIK0500