

ASSEMBLY INSTRUCTIONS (English)

READ & SAVE INSTALLATION & OPERATION INSTRUCTIONS

TOOLS & MATERIALS REQUIRED

- Adjustable Wrench
- Blade screw driver
- Step Ladder
- Wiring cutters
- Wiring Supplies as required by electrical code

CAUTION: Before assembling your lighting fixture, refer to the section titled **ELECTRICAL CONNECTIONS**. If you feel you do not have enough electrical wiring experience, refer to a do-it-yourself wiring handbook or have your fixture installed by a qualified licensed electrician.

GENERAL

1. To ensure the success of the installation, be sure to read these instructions thoroughly before beginning.
2. All electrical connections must be in accordance with local codes, ordinances, or the National Electrical Code. If you are unfamiliar with methods of installing electrical wiring, secure the services of a qualified licensed electrician.
3. These fixtures are intended to be mounted to a 4"X4"X2 1/8" deep metal outlet box. The box must be directly supported by the building structure.
4. Before starting the installation, disconnect the power by turning off the circuit breaker or by removing the fuse at the fuse box. Turning the power off using the light switch is not sufficient to prevent electrical shock.

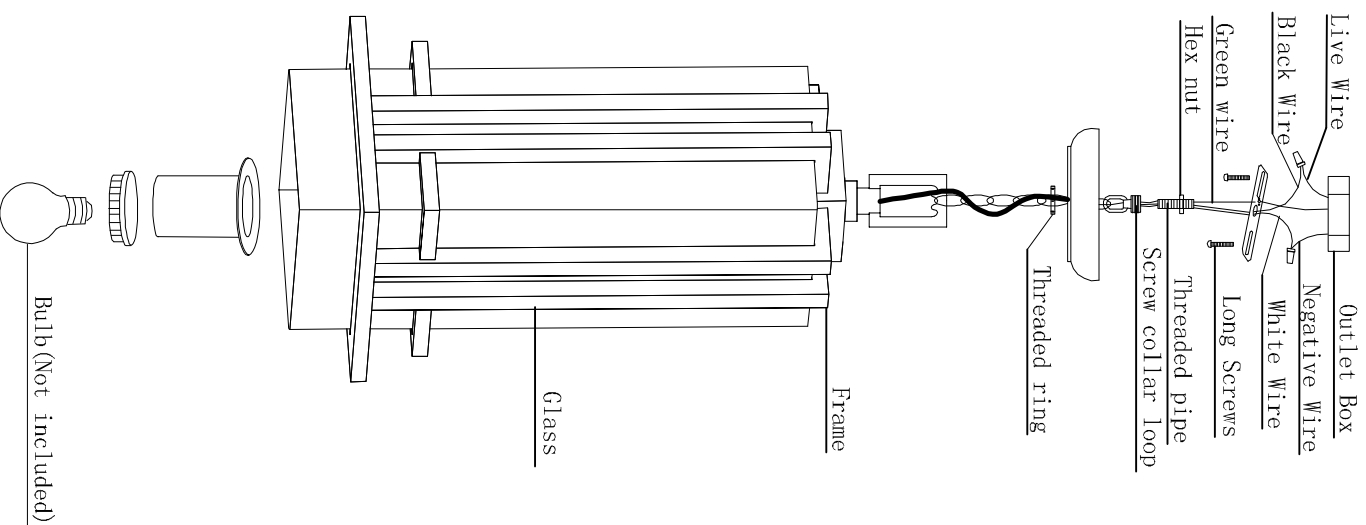
ELECTRICAL CONNECTIONS

Required Supply Circuit: 120V ~, 60HZ

Connect the white wire(s) from the fixture to the white wire of the supply circuit. Connect the black wire(s) from the fixture to the black wire of the supply circuit. Connect the green (or bare copper) colored wire to the grounding conductor of the supply circuit. If your fixture is supplied with an SPT Cord (clear gold "lamp" wire) connect the half of the SPT Cord that is ribbed surface to the white wire of the supply circuit. Connect the smooth half of the wire (the half with markings) to the black wire of the supply circuit. In all cases grounding conductor to earth must be used. Use U.L./CSA Listed wire connects suitable for the size, type, and number of conductors. No loose strands or loose wires should be present. Secure wire connectors with U.L./CSA Listed electrical tape.

FINAL ASSEMBLY

1. Spread the electrical splices so that the black wires are on one side of outlet box and white wires on the other side.
2. Place the fixture against the mounting surface allowing the threaded stem or machine screws to pass through the fixture coverplate. Secure with the acorn nuts or mounting nut provided. For fixtures with channel shape mounting bracket, place coverplate over the channel and secure with screws provided.
3. If applicable, place candle cover(s) over lampholder(s) before installing bulb(s). Install the light bulbs (not provided). Some models employ a twist off top cap to allow access to bulbs. **CAUTION:** Refer to the relamping label located near the lampholder for the recommended maximum wattage - do not exceed recommended wattage.
4. If applicable, attach shades to fixture. Some shades require the use of shade attachment screws. Do not over tighten these screws. See Fig. 4 for placement of fabric spacer, not supplied on all models.
5. Restore electricity and check the operation of your lighting fixture.



Bulb (Not included)