

# USE AND CARE GUIDE

## ISLAND HOOD

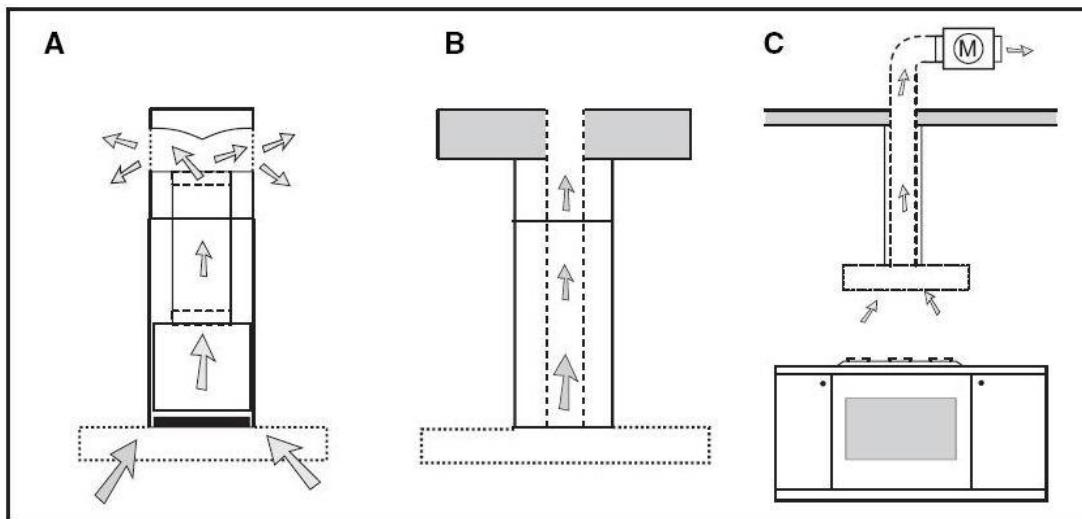


Fig. 1

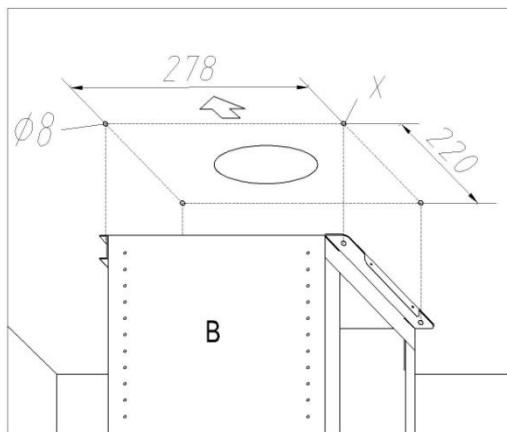


Fig. 2

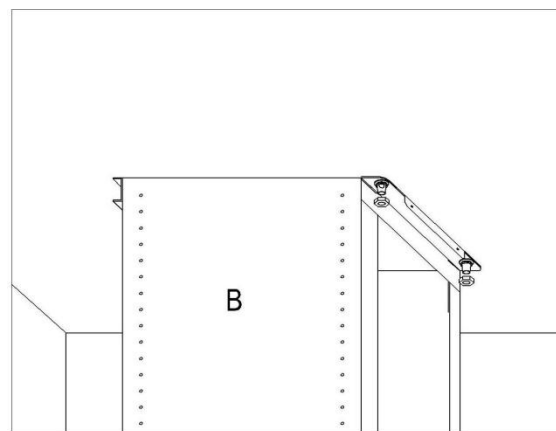


Fig. 3

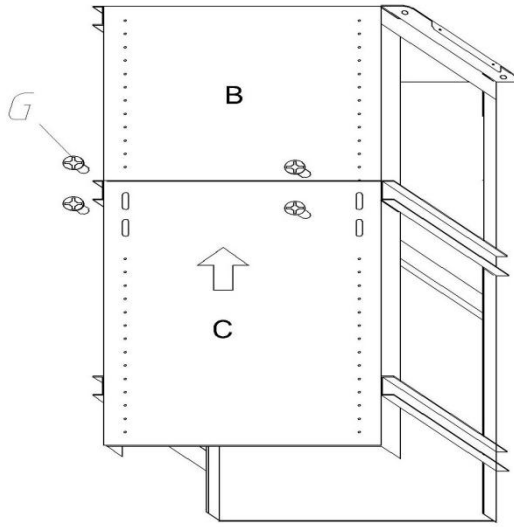


Fig. 4

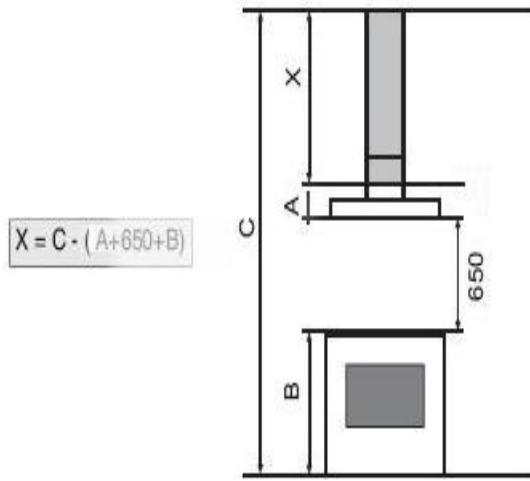


Fig. 5

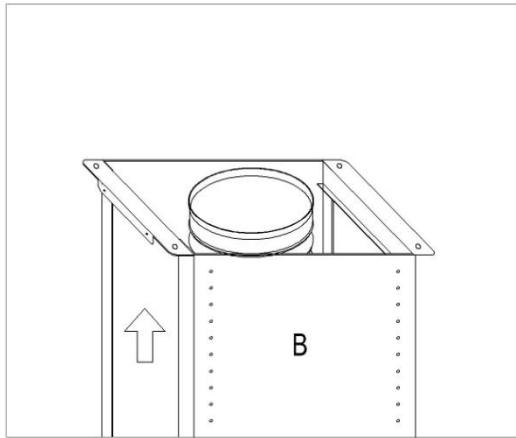


Fig. 6

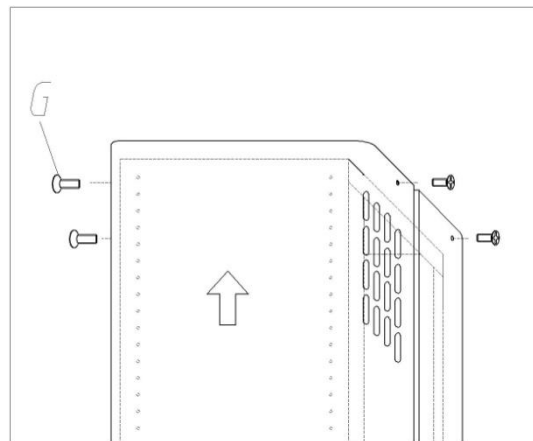


Fig. 7

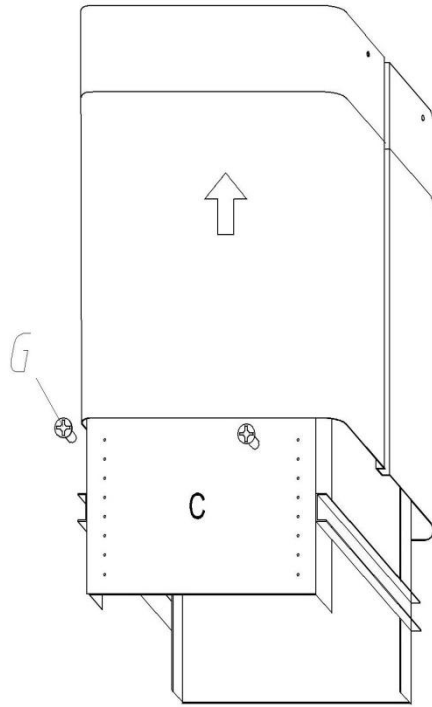


Fig. 8

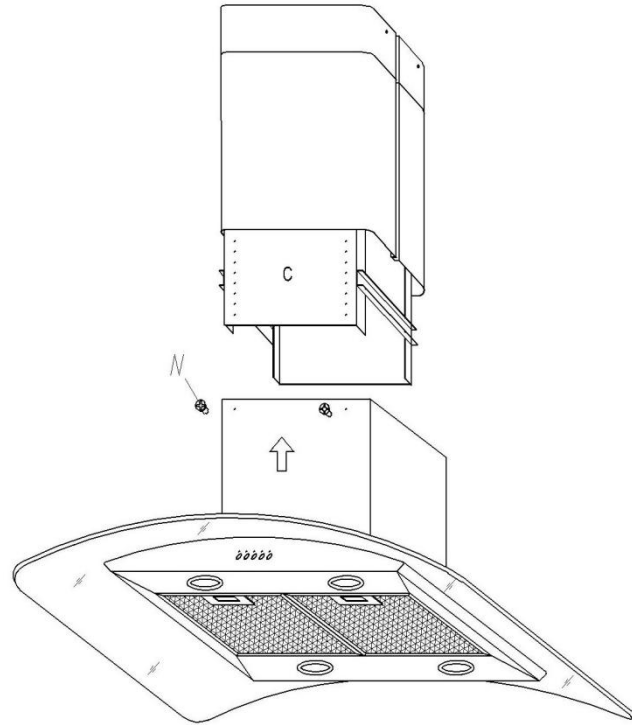


Fig. 9

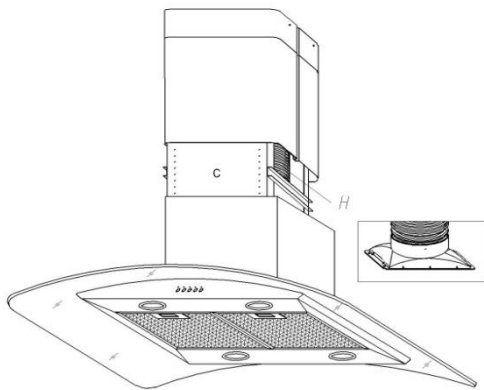


Fig. 10

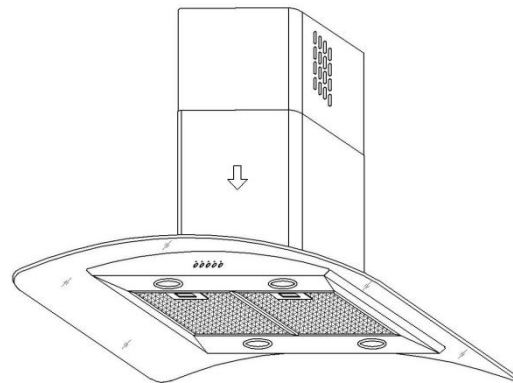


Fig. 11

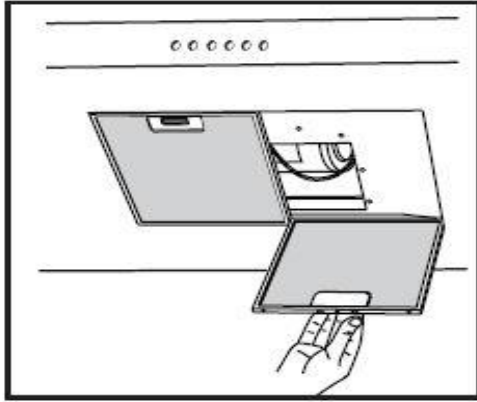


Fig. 12

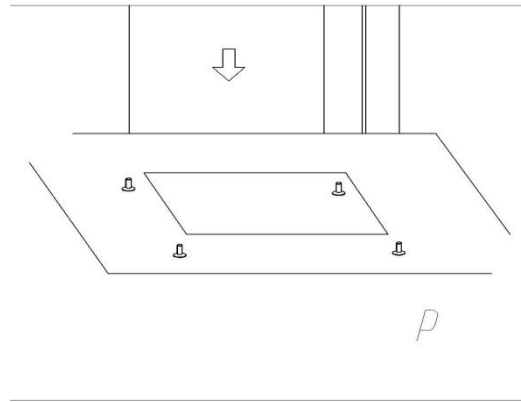
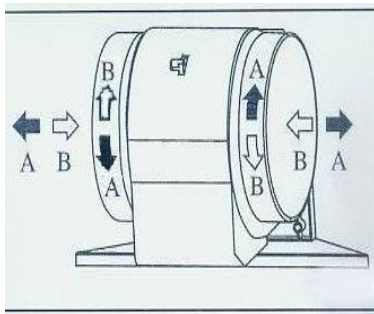
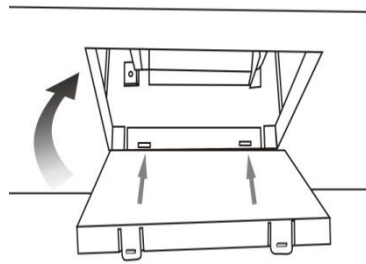


Fig. 13



A



B

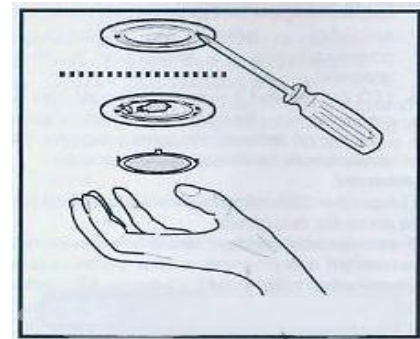


Fig. 15

Fig. 14



Fig. 16

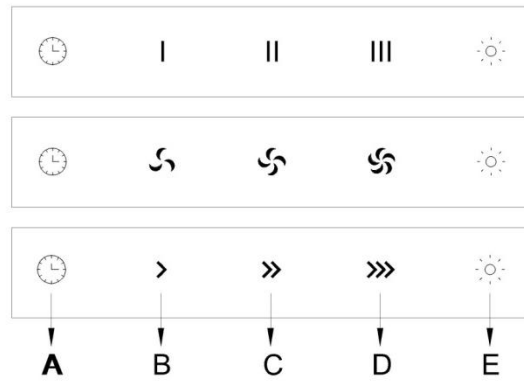


Fig. 17

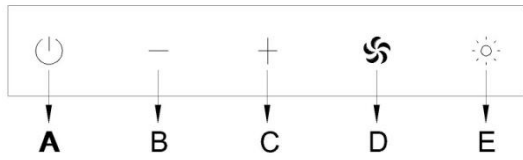


Fig. 18

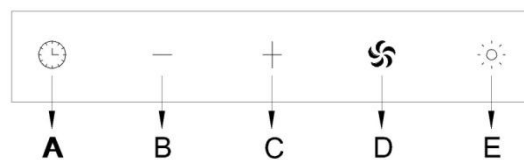


Fig. 19

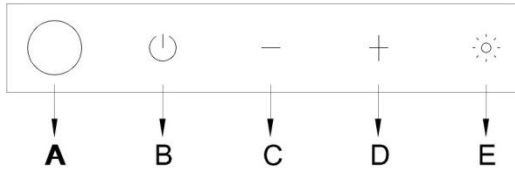


Fig. 20

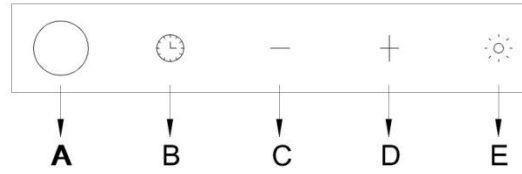


Fig. 21

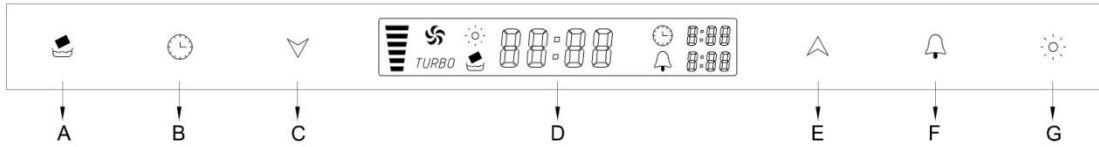


Fig. 22

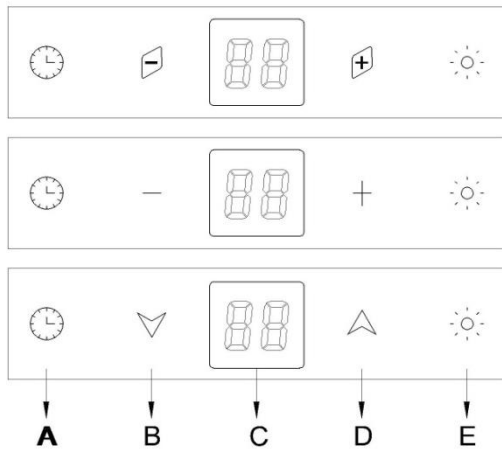


Fig. 23

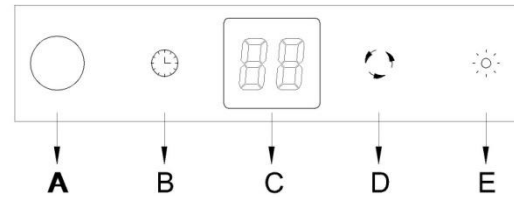


Fig. 24

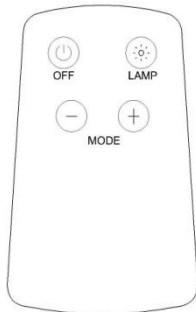


Fig. 25

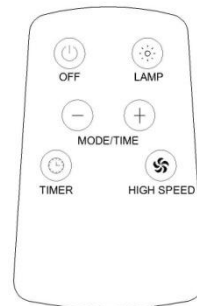


Fig. 26

## GENERAL

Carefully read the following important information regarding installation safety and maintenance. Keep this information booklet accessible for further consultations.

The appliance has been designed for use in the ducting version (air exhaust

to the outside – Fig.1B), filtering version (air circulation on the inside – Fig.1A) or with external motor (Fig.1C).

## **SAFETY PRECAUTION**

1. Take care when the cooker hood is operating simultaneously with an open fireplace or burner that depend on the air in the environment and are supplied by other than electrical energy, as the cooker hood removes the air from the environment which a burner or fireplace need for combustion. The negative pressure in the environment must not exceed 4Pa ( $4 \times 10^{-5}$  bar). Provide adequate ventilation in the environment for a safe operation of the cooker hood. Follow the local laws applicable for external air evacuation.

### **Before connecting the model to the electricity network:**

- control the data plate (positioned inside the appliance) to ascertain that the voltage and power correspond to the network and the socket is suitable. If in doubt ask a qualified electrician.

## **2. WARNING!**

In certain circumstances electrical appliances may be a danger hazard.

- A) Do not check the status of the filters while the cooker hood is operating
- B) Do not touch bulbs or adjacent areas, after prolonged use of the lighting installation.
- C) Flambe cooking is prohibited underneath the cooker hood
- D) Avoid free flame, as it is damaging the filters and can cause fire hazard
- E) Constantly check food frying, the overheated oil may become a fire hazard
- F) Disconnect the electrical plug prior to any maintenance.
- G) There shall be adequate ventilation in the room when the range hood is operating
- H) There is a risk of fire if cleaning is not carried out in accordance with the instructions
- I) If the supply cord is damaged, it must be replaced by the manufacturer, its service agent or similarly qualified persons in order to avoid a hazard.
- J) This appliance is not intended for use by persons (including children) with

reduced physical, sensory or mental capabilities, or lack of experience and knowledge, unless they have been given supervision or instruction concerning use of the appliance by a person responsible for their safety.

- K) Children should be supervised to ensure that they do not play with the appliance.
- L) The air must not be discharged into a flue that is used for exhausting fumes from appliances burning gas or other fuels
- M) The minimum distance between the supporting surface for the cooking vessels on the hob and the lowest part of the range hood shall be at least 65cm. The instructions for installation of the gas hob specify a greater distance has to be taken into account if requirement stated
- N) Regulation concerning the discharge of air has to be fulfilled.
- O) The hoods can be applicable for 6 burners cooking together max.

## INSTALLATION INSTRUCTIONS

Assembly and electrical connections must be carried out by specialised personnel.

### • Electric Connection

The appliance has been manufactured as a class **I**, therefore earth cable is necessary.

The connection to the mains is carried out as follows:

	IEC227	North America
L=live	Brown	Black
N=neutral	Blue	White
E=earth	Green/Yellow	Green

If not provided, connect a plug for the electrical load indicated on the description label. Where a plug is provided,

the cooker hood must be installed in order that the plug is easily accessible.

An omnipolar switch with a minimum opening of 3mm

between contacts, in line with the electrical load and local standards, must be

placed between the appliance and the network in the case of direct connection to the electrical network.

- The minimum distance between the support surfaces of the cooking pots on the cooker top and the lowest part of the cooker hood must be at least 65 cm. If a connection tube composed of two parts is used, the upper part must be placed outside the lower part. Do not connect the cooker hood exhaust to the same conductor used to circulate hot air or for evacuating fumes from other appliances generated by other than an electrical source. Before proceeding with the assembly operations, remove the anti-grease filter(s) (Fig.12) so that the unit is easier to handle. In the case of assembly of the appliance in the suction version prepare the hole for evacuation of the air.

- **Hood assembly**

Remove the structure from the packaging and separate the upper part from the lower part.

- Please attention that the arrow is positioned on the same side as the appliance controls. Make 4, Ø8 holes in the ceiling and drive in 3 screws without completely tightening them(Fig2). Pay attention not to insert the screw into the hole marked with an **X** on the hole template (the screws and expansion plugs must be suitable for the type of wall).

- Take the upper part of the structure **B** and insert the 3 slots onto the 3 screws that are not completely tightened. (Fig3)

Rotate slightly to fit.

Drive in the fourth screw **X** and tighten the remaining 3 to allow definitive blocking of the upper part of structure **B**.

- Take the lower part of the telescopic structure **C** and insert it into the



upper structure **B**.

- Adjust the height (Fig.5) by referring to the amounts indicated in and block it using the 8 unit screws **G** that are supplied (Fig.4)
- Suction **version**: fix the flexible pipe to the prepared air evacuation hole (Fig.6).
- Take the upper chimney piece and fix it with 4 unit screws **G**. (Fig.7)
- Take the lower chimney and fix it with 2 unit screws **G**, drive in hood to avoid it down . (Fig.8)
- Insert the suction unit inside the structure and set in 4 mounting hole, drive in 4 unit screw **N** (Fig.9).
- Fix the air evacuation pipe **H** (not supplied) onto the connection flange (Fig.10)
- Unscrew the 2 screws **G**.and rest the lower chimney piece above the cooker hood (Fig.11).
- If the cooker hood is supplied with a lower chimney piece that must be fixed to the hood body with screws, remove the anti-grease filters from the hood by acting on the relevant handles (Fig.12). Then screw the lower chimney piece pipe to the inside of the hood, using screws **P**(Fig.13).  
Re-locate the filters in their seat.

## **USE AND MAINTENANCE**

- It is recommended to operate the appliance prior to cooking.

It is recommended to leave the appliance in operation for 15 minutes after cooking is terminated in order to completely eliminate cooking vapours and odours.

The proper function of the cooker hood is conditioned by the regularity of the maintenance operations, in particular, the active carbon filter.

- The anti-grease filters capture the grease particles suspended in the air, and are therefore subject to clogging according to the frequency of the use of the appliance.

In order to prevent fire hazard, it is recommendable to clean the filter at a maximum of 2 months by carrying out the following instructions:

- Remove the filters from the cooker hood and wash them in a solution of water and neutral liquid detergent, leaving to soak.
- Rinse thoroughly with warm water and leave to dry.
- The filters may also be washed in the dishwasher.

The aluminum panels may alter in color after several washes. This is not cause for customer complaint nor replacement of panels.

- The active carbon filters purify the air that is replaced in the environment. The filters are not washable nor reuseable and must be replaced at maximum every four months. The saturation of the active carbon filter depends on the frequency of use of the appliance, by the type of cooking and the regularity of cleaning the antigrease filters. (Fig.14) To remove the charcoal filters place on hand on one filter at a time and turn it toward the front part. The charcoal filter can now be removed. Always ensure to replace both filters at the same time.

- Clean the fan and other surfaces of the cooker hood regularly using a cloth moistened with denatured alcohol or non abrasive liquid detergent.

- The illumination installation is designed for use during cooking and not for prolonged general illumination of the environment. Prolonged use of the illumination installation notably reduces the duration of the bulb. Use a one-edged screwdriver or any other appropriate tool to lift and remove the

overhead light fixture. Replace the damaged lamp. Use only halogen lamps as the original specification, avoiding contact with hands. Return the light fixture to its position (snap fastening). (Fig. 15)

• **COMMANDS:** (Fig.16)

A = OFF

B = SPEED I / OFF

C = SPEED II / OFF

D = SPEED III / OFF

E = LIGHT

• **COMMANDS:** (Fig.17)

A= TIMER – 15 MINUTES

B= SPEED I

C= SPEED II

D= SPEED III

E =LIGHT

• If your appliance does not have the **INTENSIVE** speed function, press key A for two seconds and it will be activated for 15 minutes after which it will return to the previously set speed. When the function is active the LED flashes.

By pressing any key for the exclusion of the hood light the hood will return immediately to its normal functioning.

**The “automatic stop timer” delays stopping of the hood, which will continue functioning for 15 minutes at the operating speed set at the time this function is activated.**

■ **FUNCTION KEYS:** (Fig.18)

A == OFF

B == SPEED 1/“–”Control

C == SPEED 2/“+”Control

D == SPEED 4

E == LIGHT

By pressing key B、 C or D individually, the speed for each key will be the same as above table. At the same time indicated light will flash on the each function key button. To stop the speed function press key A.

If Speed 3 is required, press key C adjust“+”. At Speed 3 program both key B and key C indication light will flash on each function key button.

To on the light press key E. To off the light press key E again.

■ **FUNCTION KEYS:** (Fig.19)

A == Automatic Stop Timer —15 minutes

B == Speed 1/“–”Control

C == Speed 2/“+”Control

D == Speed 4

E == Light

By pressing key B、 C or D individually, the speed for each key will be the same as above table. At the same time indicated light will flash on the each function key buttons. To stop the speed function press key A.

If Speed 3 is required, press key C adjust“+”. At Speed 3 program both key B and key C indication light will flash on each function key button.

To on the light press key E. To off the light press key E again.

When the appliance and light are ON together or separately, press key A the Automatic Stop Timer will start the 15 minutes count down. Indication light on the key A button will flash for the duration. To stop the Automatic Stop Timer Function before 15 minutes time frame, press key A again.

■ **FUNCTION KEYS: (Fig.20, Fig.25)**

A == Infrared Remote Control

B == Off

C == Speed 1/“—”Control

D == Speed 2/“+”Control

E == Light

By pressing key C or D individually, the speed for each key will be the same as above table. At the same time indication light will flash on the each function key button. To stop the speed function press key B.

If Speed 3 is required, press key D and adjust“+”. At Speed 3 program both key C and key D indication light will flash on each function key button.

To on the light press key E. To off the light press key E again.

■ **FUNCTION KEYS: (Fig.21, Fig.26)**

A == Infrared Remote Control

B == Automatic Stop Timer —15minutes


C == Speed 1/“—”Control

D == Speed 2/“+”Control

E == Ligh


By pressing key C or D individually, the speed for each key will be the same as above table. At the same time indicated light will flash on the each function key buttons. To stop the speed function press key B. If using Remote Control just press the“OFF”button


If Speed 3 is required, press key D and adjust“+”. At Speed 3 program both key C and key D indication light will flash on each function key button. If Speed 4 function is available, when Speed 4 function is ON key C and D


indication light will flash. If using Remote Control press the “” key. To on the light press key E. To off the light press key E again. When the appliance and light are ON together or separately, press key A the Automatic Stop Timer will start the 15 minutes count down. Indication light on the key A button will flash for the duration. To stop the Automatic Stop Timer Function before 15 minutes time frame, press key A again.


•**COMANDS PATTERN** :( Fig.22)


A= Filtering system / Set clock  
B= Delay Timer  
C= Speed 1/ “-” adjust / off  
D= Digital display  
E= Speed 1/ “+” adjust / off  
F= Alarm  
G= Light

When the Key A is flashing, at the same time “” is flashing on the digital display, it reminds the user to clean the filters. After it’s cleaned and then assemble back, push the key A till the light is off to set the function again.

When pushing key A for 3 seconds, the clock “:00” on the digital display flashing, push key A to switch to set hours and minutes, and then push C or E to set the correct time. The Clock’s system is 24 hours.

When the motor is on, push the key B, the light is on, at the same time it shows “ 0:15” is flashing as well on the digital display, and to push key B to switch hours and minutes, and it’s to set the time to automatically shut off the motor by pushing key C or E. Push key B for 3 seconds to stop the delay timer.

Push key C or E, the first speed is on, and it shows “ ” on the digital display, and push key C once again to turn off; To run the 2<sup>nd</sup>, 3<sup>rd</sup> and “Turbo” speed, then push Key E. If it’s “Turbo” speed on, then push E once again to turn off; and to push key C down to 3<sup>rd</sup>, 2<sup>nd</sup> and 1<sup>st</sup> speed. On the special function set, after the speed “TURBO” runs for 2 minutes, it automatically switches to 3<sup>rd</sup> speed.

Push the key F, the light is flashing, and it shows “ 0:15” flashing on the digital display, to push key F to switch hours and minutes, and to set the alarm time by pushing the key C or E. To stop the alarm, push the key F. And to cancel the alarm set, then push the key F for 3 seconds.

Push the key G, the light is on, and it shows“ ☀ ” on the digital display, and push the G again to turn off the light.

•**COMMANDS:** (Fig.23)

A= Timer (automatic shut off)

B= Speed 1 / adjust / switch off

C= digital display screen (showing timer and speed)

D= Speed 3 / adjust / switch off

E= Light

When pushing A, digital display screen shows "15 minutes" for timer, and the minutes can be adjusted by pushing "+" or "-" on B and D. And the first speed is on, pushing A once to switch off, the digital display shows "00".

When pushing B, it shows "F1" on the digital display screen, and the first speed is on. Pushing B once to switch off, and the digital display shows "00".

When pushing D, it shows "F3" on the digital display screen, and the third speed is on. Pushing D twice to switch off, and it shows "00" on the screen. The second speed F2 and Turbo speed F4 can be adjusted by pushing B or D.

When pushing E, the buttons light is on and the light is on, only push E once again to switch off the light.

If the motor, light are working together, or only motor is working, pushing A, automatic switch off timer is on, and it will delay 15 minutes to turn off the motor and light. To push B or D to adjust the time, and to push A again to stop the timer.

■ **FUNCTION KEYS:** (Fig.24, Fig.26)

A == Infrared Remote Control

B == Timer (Automatic Shut Off)

C == Digital Display (Timer/Speed)

D == Speed F1/Cycle Control Adjustment/Off

E == Light

When key B is pressed, digital display screen will display 15 minutes. For cycle control adjustment and Speed F1 press key D. To stop the operation press key B again the digital display screen will show 00. If using remote control press "OFF" button.

When key D is being pressed, the digital display screen will show F1 and speed 1 will ON. To stop F1 function press key D until the digital display screen shown 00.

The F2, F3 Or F4 (Turbo) function can be adjusted thru key D.

For ON/OFF light press key E.

When the appliance and light are ON together or separately, press key B the Automatic Stop Timer will start the 15 minutes count down. Key D can also be used to extend the time of Automatic Stop Timer. To stop the Automatic Stop Timer Function before 15 minutes time frame, press key B again.

### Troubleshooting

<b>Problem</b>	<b>Possible reason</b>	<b>Solution</b>
Hood doesn't work	No electric supply	Check the plug is connected
		Check the main switch is turned on
Poor airflow	Aluminum grease filters clogged	Clean the filters and replace when dry
	Charcoal filters clogged	Replace the charcoal filters
Motor running but no air flow	Butterfly valve jammed	Contact technician
Motor cuts after a few minutes	High temperature safety device activated	The kitchen is not sufficiently ventilated
	The hood is installed too near the cooking stove	The hood must be least 65cm from stove
Strong cooking smell	Charcoal filters not installed	In re-circulating mode, charcoal filters must be installed
Oil dripping onto stove	Oil cup missing or not installed	Remove aluminum filter and replace oil cup
	Aluminum grease filter saturated	Wash the aluminum grease filters
Whirring sound	Something in contact with fan blade	Contact with technician

**THE MANUFACTURORY DECLINES ALL RESPONSIBILITY FOR**

**EVENTUAL DAMAGES CAUSED BY BREACHING THE ABOVE WARNINGS.**



**Correct Disposal of this product**

**This marking indicates that this product should not be disposed with other household wastes throughout the EU. To prevent possible harm to the environment or human health from uncontrolled waste disposal, recycle it responsibly to promote the sustainable reuse of material resources. To return your used device, please use the return and collection systems or contact the retailer where the product was purchased. They can take this product for environmental safe recycling.**

**Warranty Information**

**The manufacturer provides warranty in accordance with the legislation of the customer's own country of residence, with a minimum of 1 year (Germany: 2 years), starting from the date on which the appliance is sold to the end user.**

**The warranty only covers defects in material or workmanship.**

**The repairs under warranty may only be carried out by an authorized service centre. When making a claim under the warranty, the original bill of purchase (with purchase date) must be submitted.**



**The warranty will not apply in cases of:**

- Normal wear and tear**
- Incorrect use, e.g. overloading of the appliance, use of non-approved accessories**
- Use of force, damage caused by external influences**
- Damage caused by non-observance of the user manual, e.g. connection to an unsuitable mains supply or non-compliance with the installation instructions**
- Partially or completely dismantled appliances**