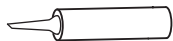


SUGGESTED TOOLS AND MATERIALS



Clear Silicone Sealant



Level

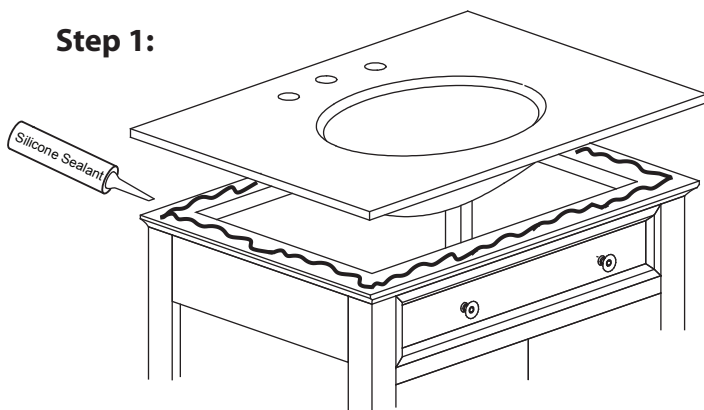


Tape Measure



Safety Glasses

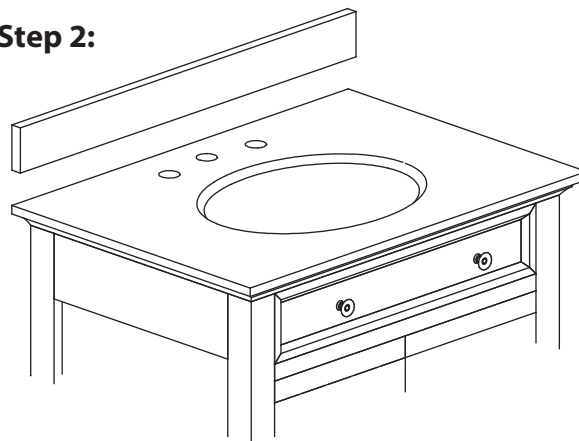
Step 1:



Apply bead of quality clear silicon sealant evenly along the top of the vanity.

**** NOTE:** top style, shape, cutout on top, vanity may vary from the picture above. Instructional purposes only.

Step 2:



Apply clear silicone sealant evenly along the bottom of backsplash and wall.

Finally, place the bottom side of back splash with sealant onto the countertop and check alignment of backsplash. Adjust the leg levelers as needed.

GLASS TOP INSTALLATIONS

1. Install the cabinet / vanity according to the cabinet / vanity manufacturer
2. Check to make sure the vanity top sits level on top of the vanity
3. If all four corners of the vanity top do not sit flush on the vanity, use the optional leveling spacers (included) to help level the vanity top
4. Apply silicone sealant to the top of cabinet / vanity as shown above
5. Install faucet and drain assembly per the manufacturers' instructions

CARE AND CLEANING

For best results in caring for your glass top, we suggest:

- Always wipe off spills immediately.
- Never use strong / abrasive cleaner. Always test your cleaning solution on unnoticeable areas before applying to the entire surface.
- Wipe surfaces clean, immediately after applying cleaner.
- Do not allow cleaner to sit or soak. Never let cleaners sit on the surface of the glass top for long periods of time.
- Use a soft, dampened sponge and cloth. Never use an abrasive material such as brush or scouring pad to clean surfaces. They will scratch the surface of the glass top and lavatory.
- Always rinse and wipe clean the fixtures to prevent soap buildup.