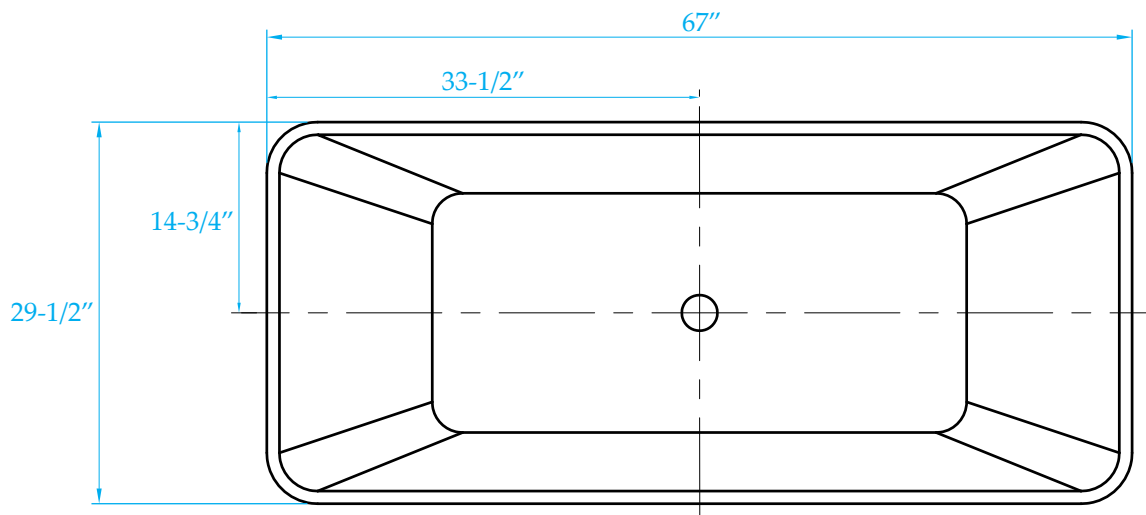
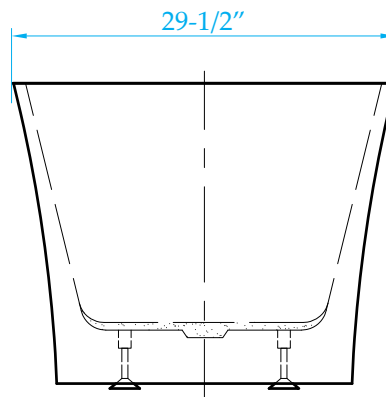
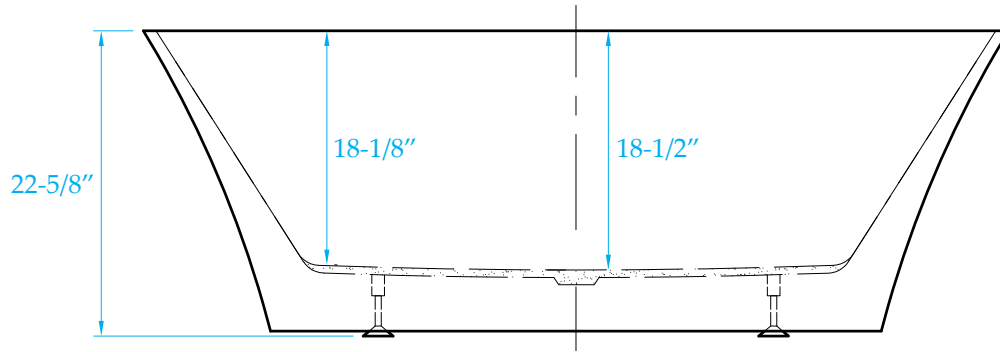


WYNDHAM COLLECTION

Exterior Size - 67"L x 29-1/2"W x 22-5/8"H
Interior Size - 64"L x 26"W x 18-1/8"H
Depth at Drain - 18-1/2"
Drain To Overflow - 15"
Maximum Fill - 83 Gallons
Note - All Measurements are $\pm 1/2$ "



WC-BTK1504-67