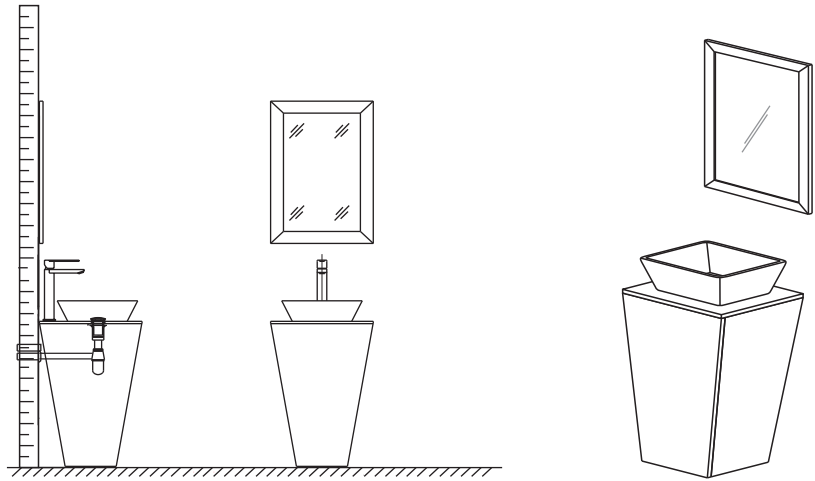
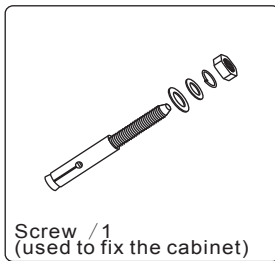
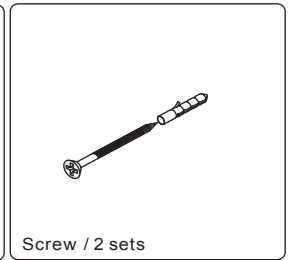
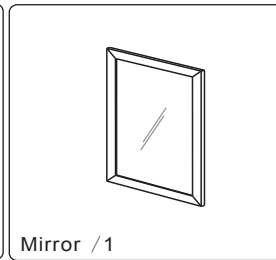
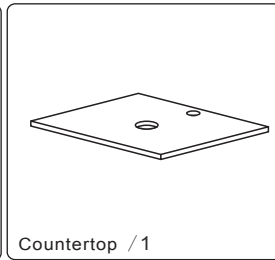
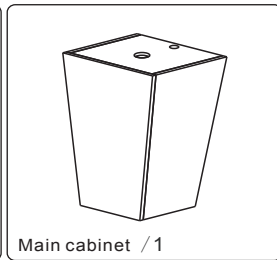
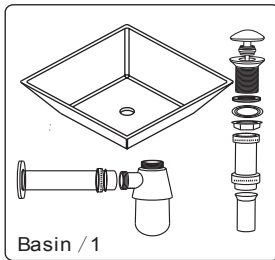


WYNDHAM COLLECTION

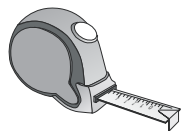
- Prior to installation please check received items against the "Packing List". Please report any missing items to your retailer immediately.
- Protect all surfaces from sharp objects, high heat sources, direct prolonged sunlight and chemical hazards.
- Professional installation recommended.



PACKING LIST



REQUIRED TOOLS



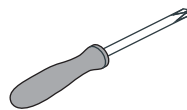
Tape Measure



Pencil



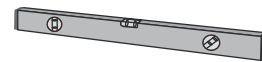
Electric Drill



Phillips Screwdriver



Adjustable Wrench



Spirit Level

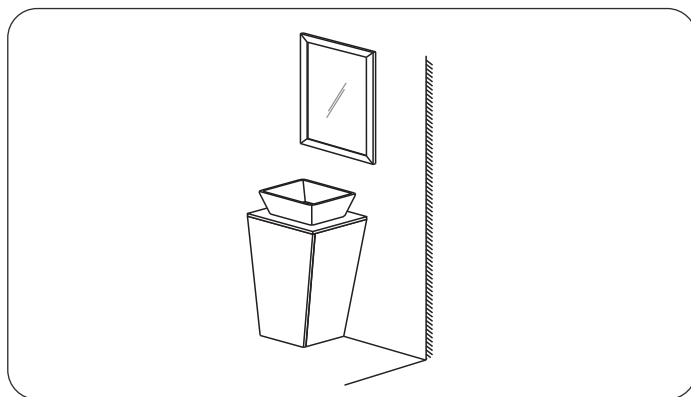
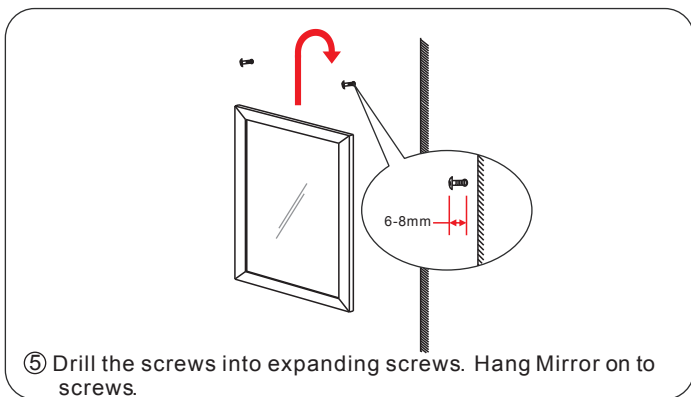
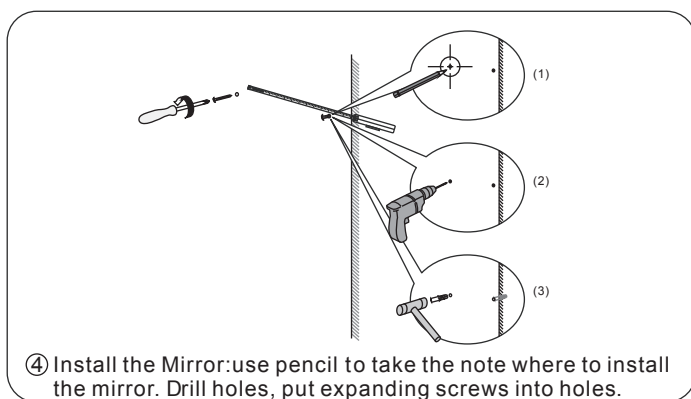
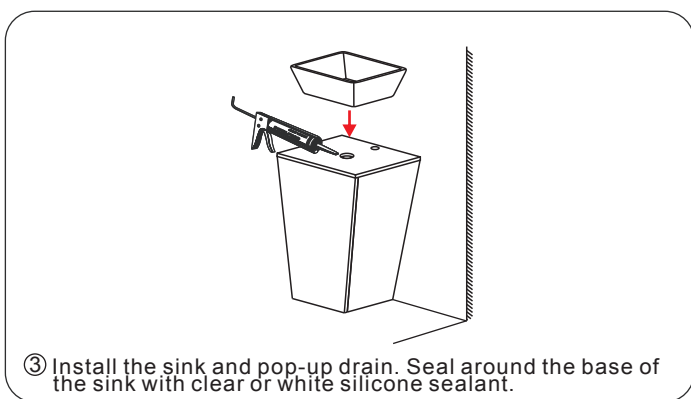
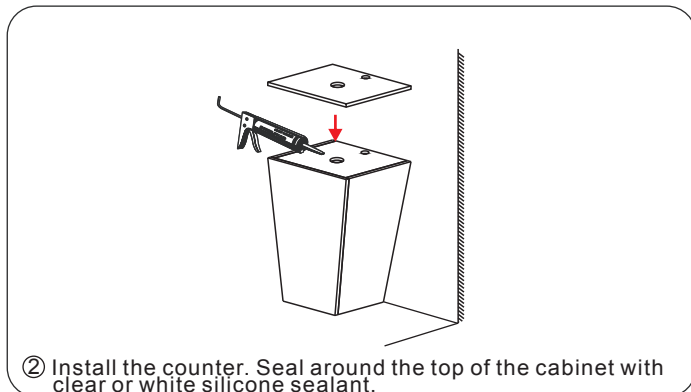
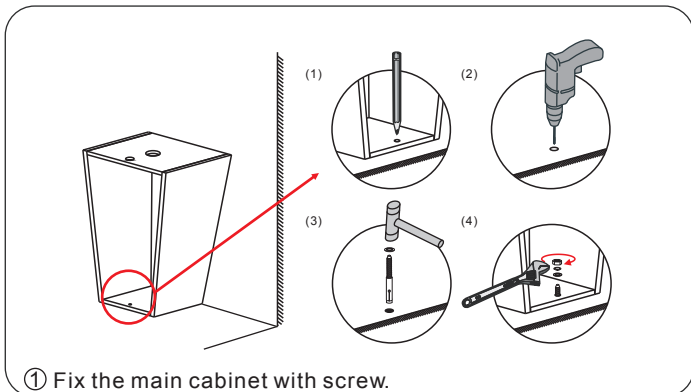


Silicone Sealant

WC-CS004
INSTALLATION-GUIDE

WYNDHAM COLLECTION

INSTALLATION INSTRUCTIONS



WC-CS004
INSTALLATION-GUIDE