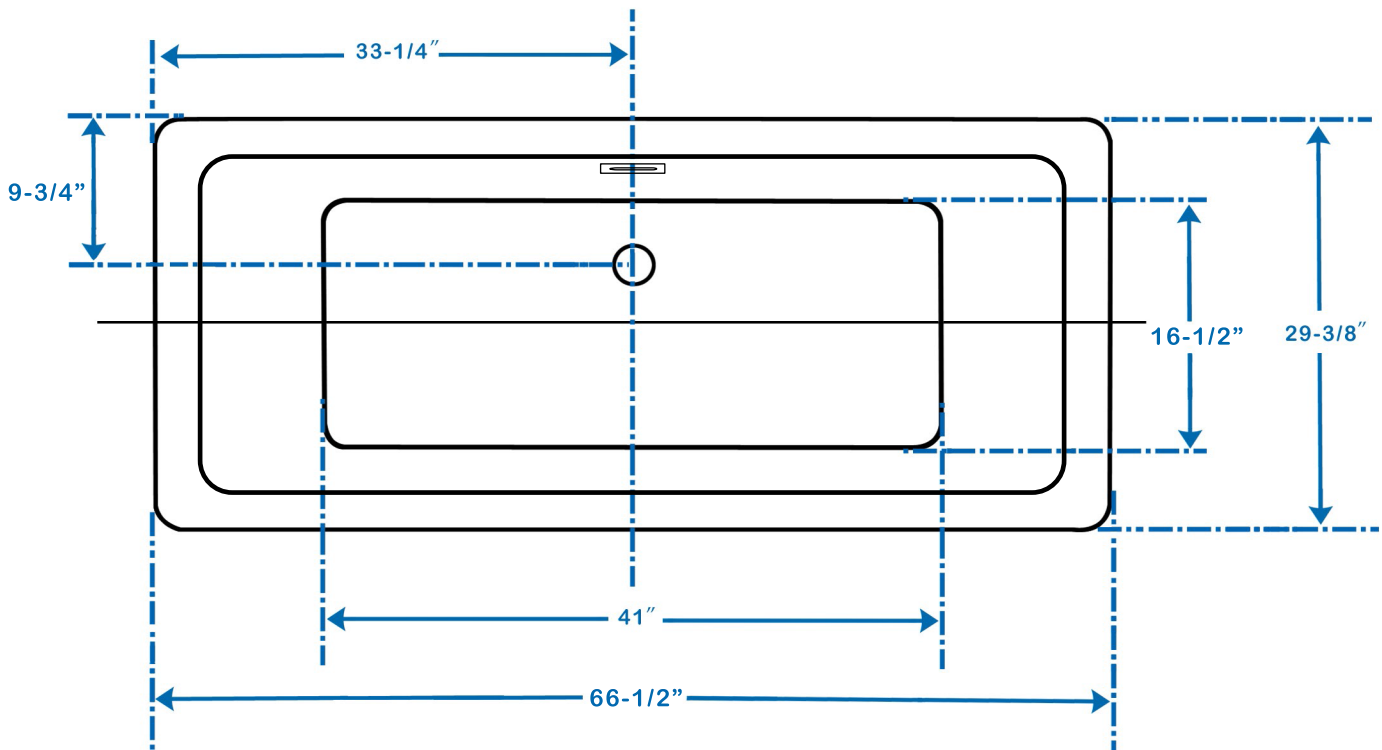
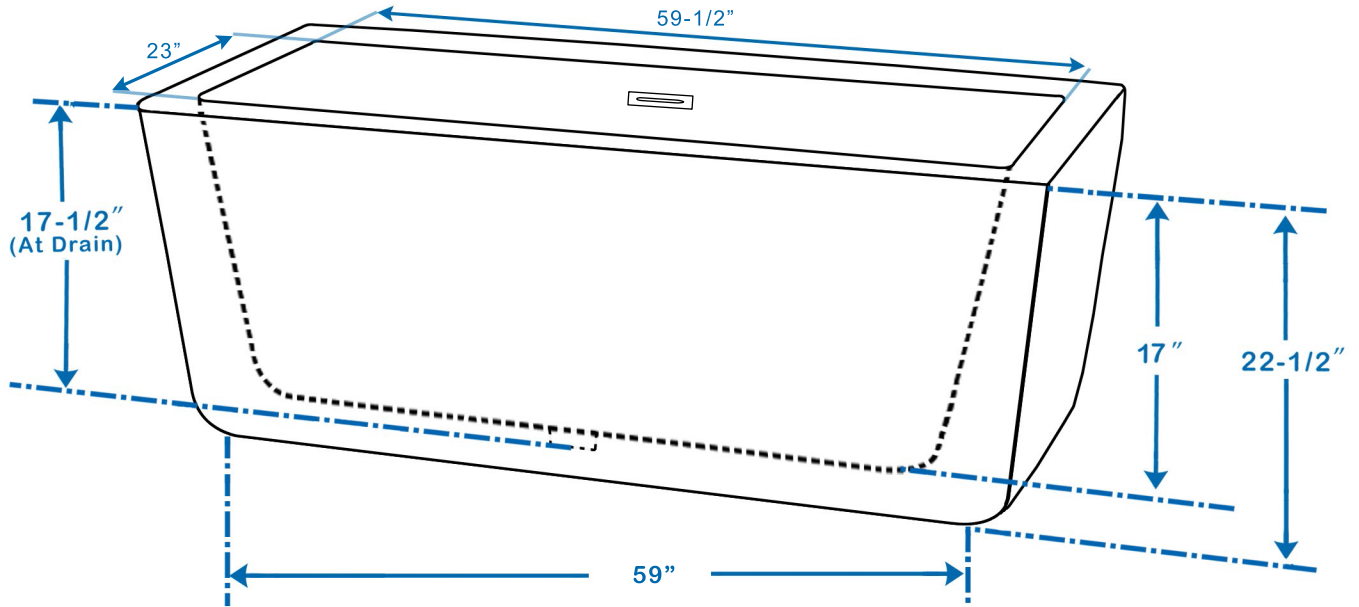


WYNDHAM COLLECTION

Exterior Size - 66-1/2"L x 29-3/8"W x 22-1/2"H
Interior Size - 59-1/2"L x 23"W x 17"H at top
Depth at Drain - 17-1/2"
Drain to Overflow - 12-1/2"
Maximum Fill - 55 Gallons
Note - All measurements are $\pm 1/2$ "



WC-BTM1005-67