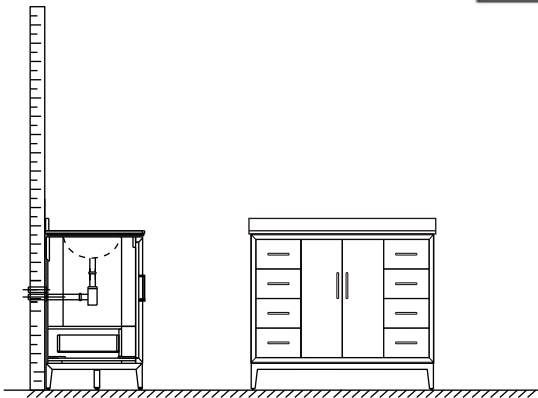


WYNDHAM COLLECTION

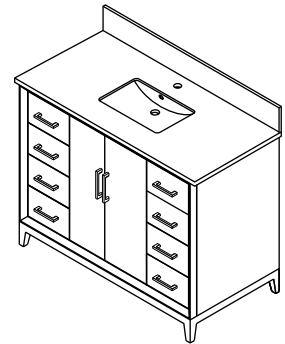


- Prior to installation please check received items against the "Packing List". Please report any missing items to your retailer immediately.

- Protect all surfaces from sharp objects, high heat sources, direct prolonged sunlight and chemical hazards.

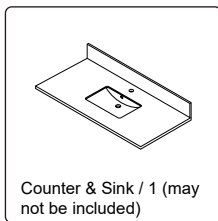
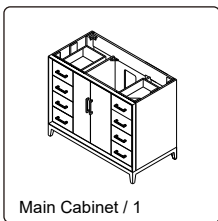
- Professional installation recommended.

- **Please install on a level surface. If minor door and drawer alignment is required, please follow the easy directions on the next page.**

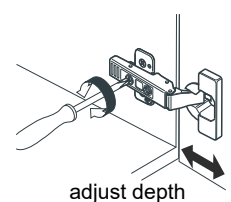
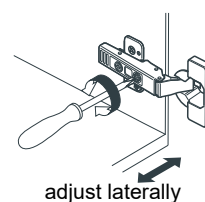
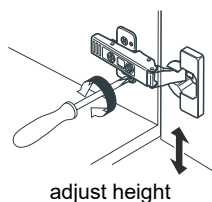
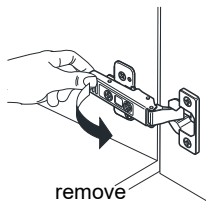
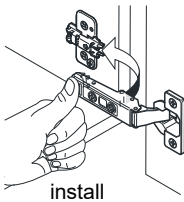


PACKING LIST

(Not all components may be included, depending upon your purchase)



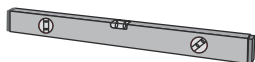
HOW TO ADJUST HINGES (if required)



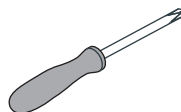
REQUIRED TOOLS NOT IN BOX



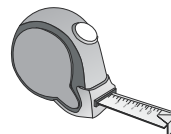
Silicone sealant



Spirit Level



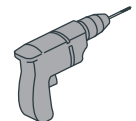
Phillips Screwdriver



Tape measure



Pencil



Electric Drill

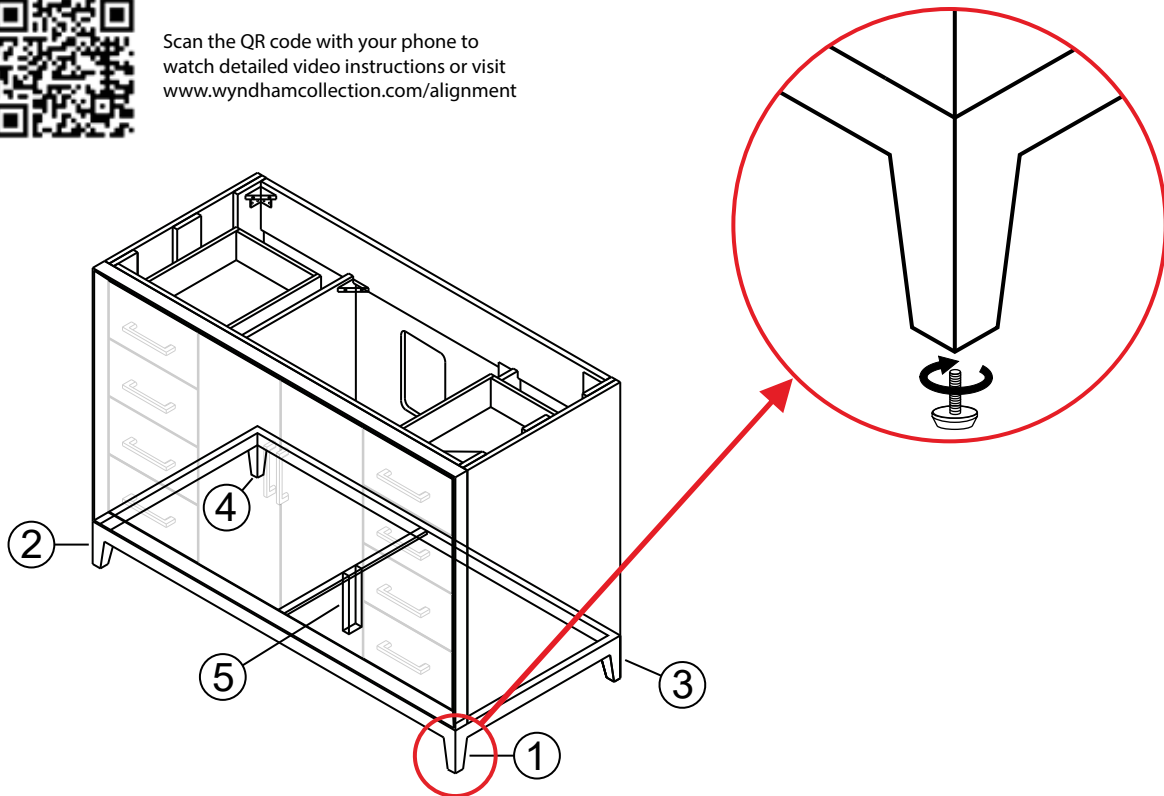
WC-8181-42-SGL Installation Guide

WYNDHAM COLLECTION

INSTALLATION INSTRUCTIONS



Scan the QR code with your phone to watch detailed video instructions or visit www.wyndhamcollection.com/alignment



① CABINET ALIGNMENT GUIDE

ALL cabinets are aligned, and metal trim is adjusted on a level floor before packaging.

After shipping and reaching its destination, the cabinet doors and drawers may require minor alignment, depending on the condition of the floor where it will be installed.

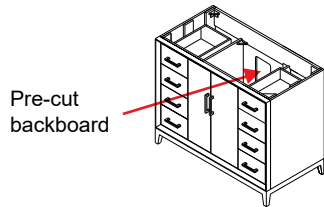
DO NOT move/adjust the door hinges or drawer glides before leveling/adjusting the cabinet on the floor.

Start by adjusting the back two feet #3 and #4 by bringing the cabinet to a level position. Use a spirit level to ensure accuracy. After adjusting all four feet (front and back) check the door and drawer alignment. If the doors and drawers are not aligned, start adjusting the middle foot #5 (under the cabinet) by moving the adjustable feet UP or DOWN depending on the condition of your floor. After leveling the doors and drawers using the middle foot (under the cabinet) make sure all 5 vanity feet are firmly resting on the floor and the cabinet is perfectly level.

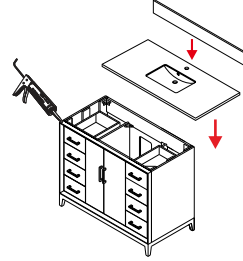
By following the above instructions all the doors and drawers should now be aligned. Minor adjustment may be necessary by adjusting the door hinges and drawer glides, see How To Adjust Hinges on page 1, and How to Adjust Drawer Slides on page 4.

WC-8181-42-SGL Installation Guide

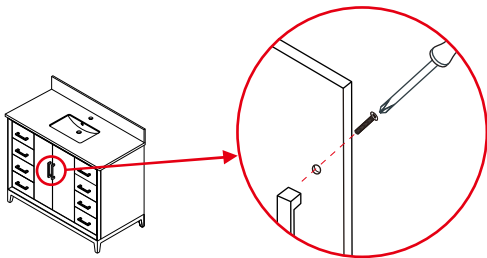
WYNDHAM COLLECTION



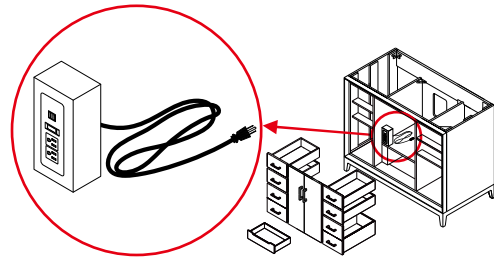
- ② Backboard is pre-cut for ease of installation for hot and cold valves and drains.



- ③ Install the counter. Seal around the top of the cabinet with clear silicone sealant. Do not over apply. Allow to dry 24 hours for proper curing.



- ④ Remove the handles from inside the cabinet doors and drawers and reinstall on the outside. Do not over tighten when reattaching.

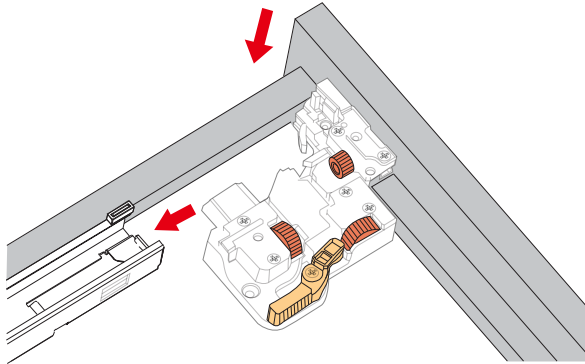


- ⑤ Plug in electrical outlet and USB charging hub.

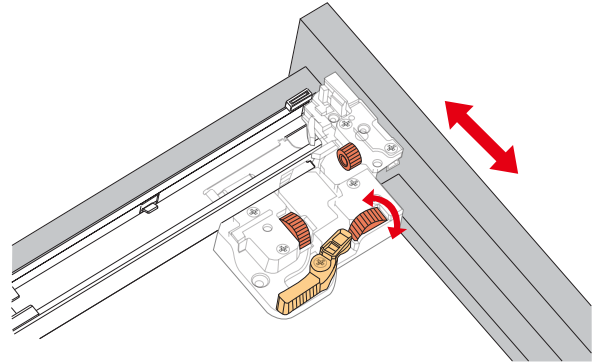
WC-8181-42-SGL
Installation Guide

WYNDHAM COLLECTION

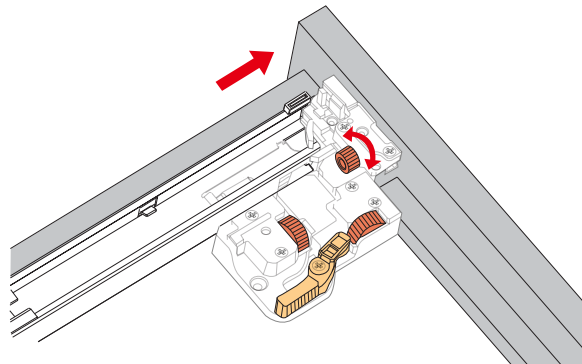
HOW TO ADJUST DRAWER SLIDES (if required)



Up and Down Adjustment



Side Adjustment



Depth Adjustment

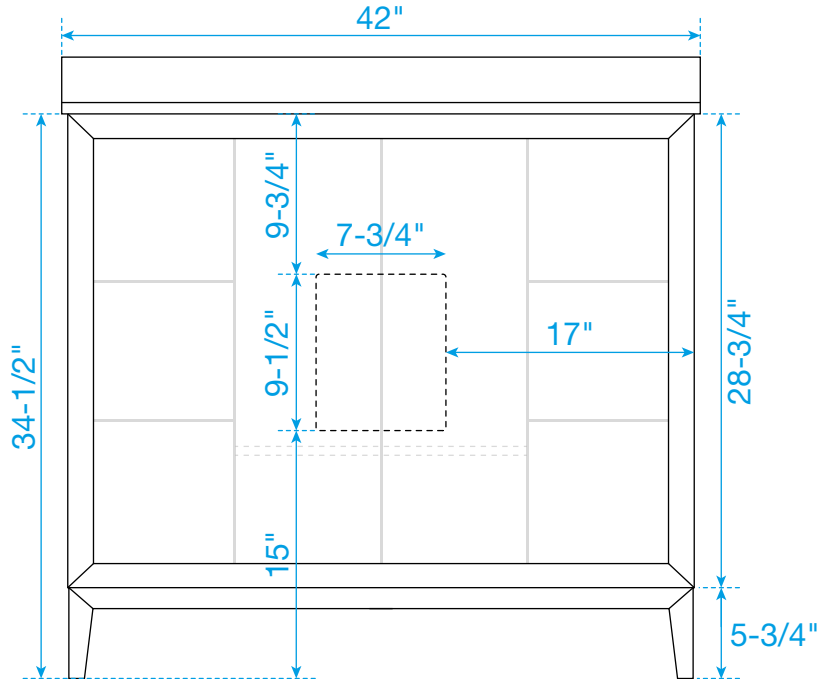


Scan the QR code with your phone to watch detailed video instructions or visit www.wyndhamcollection.com/3dslides

WC-8181-42-SGL
Installation Guide

WYNDHAM COLLECTION

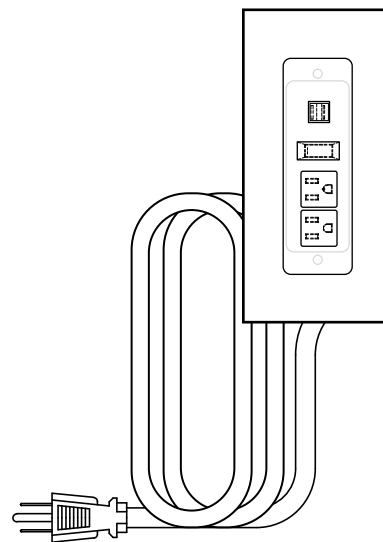
Backboard Cutouts



*Note: All measurements are $\pm 1/4$ ".

Electrical Outlets with Charging Hub

- Easy to install
- Long 5 foot plug in cord
- 2 electrical outlets, 125V 15A
- Tamper Resistant (TR) outlets
- Power reset switch
- 2 USB ports, 5V 2.1A Max
- Use with ground-fault circuit interrupter (GFCI) outlets only
- Residential use only
- Follow all applicable electrical codes
- ETL Listed
- Conforms to UL Standard 962A
- Certified to CAN/CSA Standard C22.2 No. 308



WC-8181-42-SGL Installation Guide