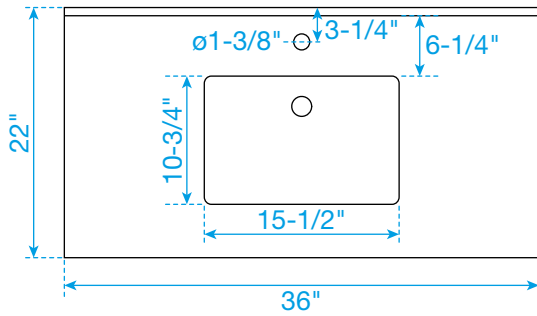
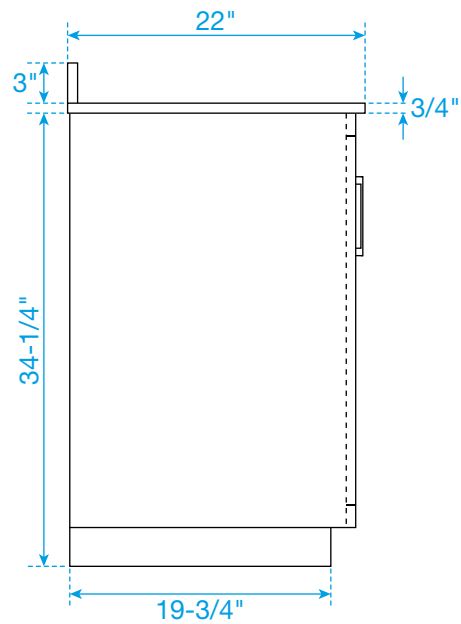
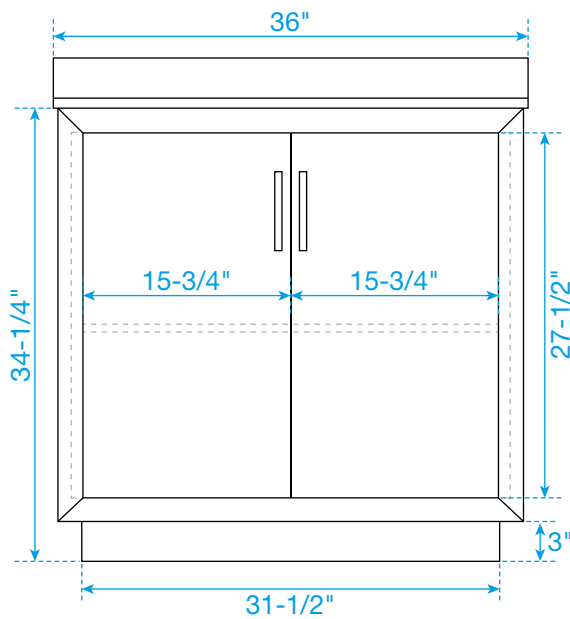
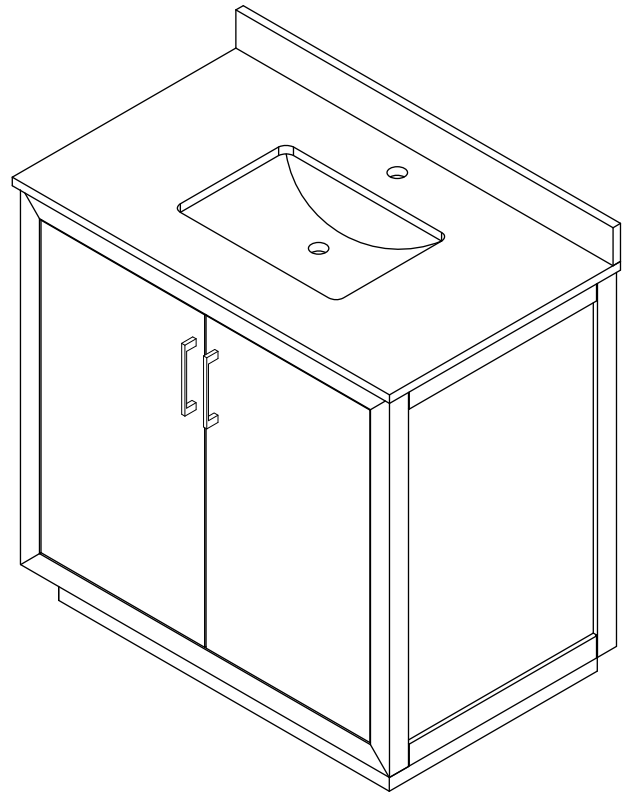
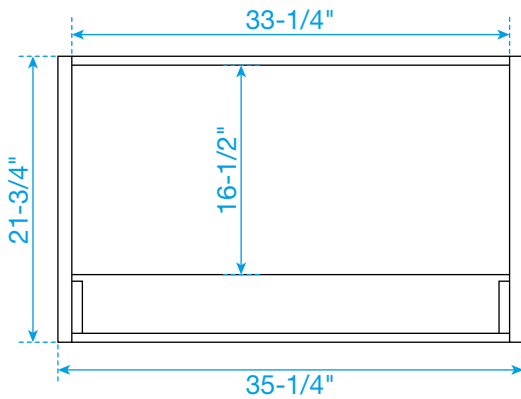


WYNDHAM COLLECTION



TOP VIEW OF VANITY CABINET



Note*: All measurements are $\pm 1/4$ ".

WC-4141-36-SGL