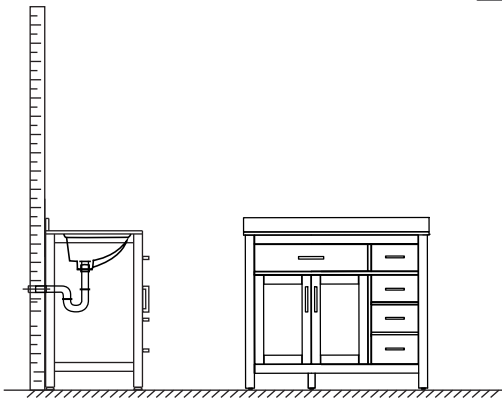
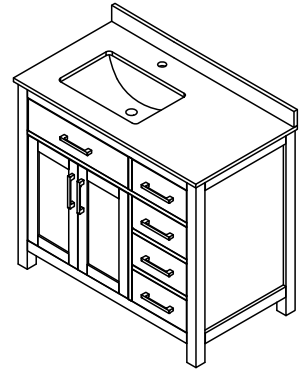


WYNDHAM COLLECTION

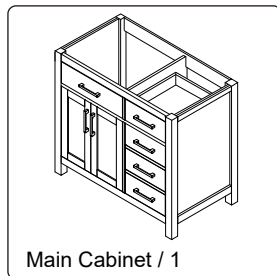
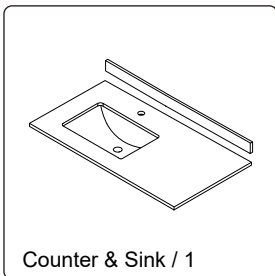


- Prior to installation please check received items against the "Packing List". Please report any missing items to your retailer immediately.
- Protect all surfaces from sharp objects, high heat sources, direct prolonged sunlight and chemical hazards.
- Professional installation recommended.

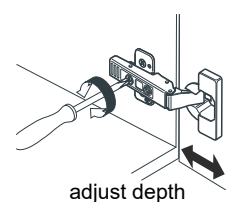
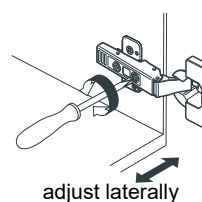
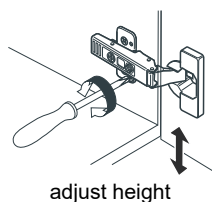
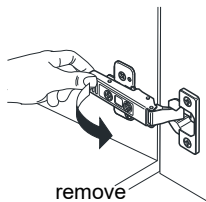
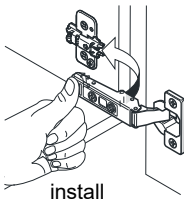


PACKING LIST

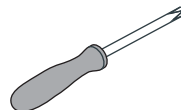
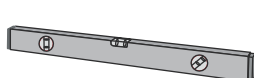
(Not all components may be included, depending upon your purchase)



HOW TO ADJUST HINGES (if required)



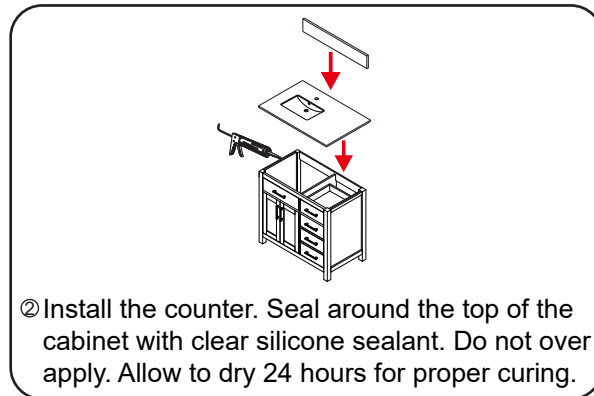
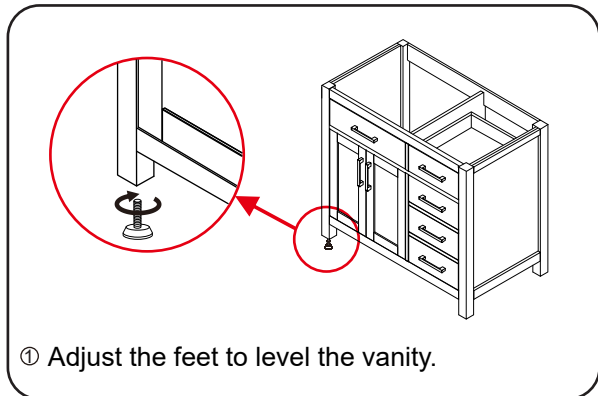
REQUIRED TOOLS NOT IN BOX



WC-2424-36-SGL Installation Guide

WYNDHAM COLLECTION

INSTALLATION INSTRUCTIONS



WC-2424-36-SGL
Installation Guide