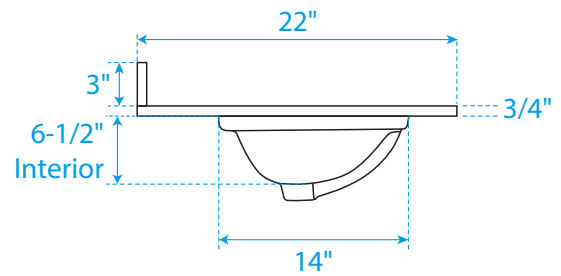
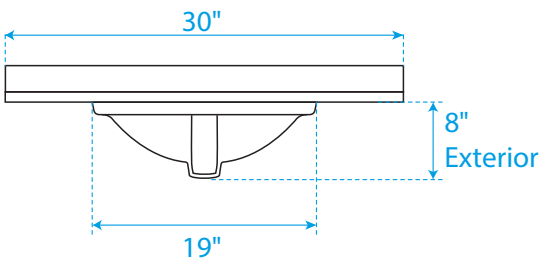
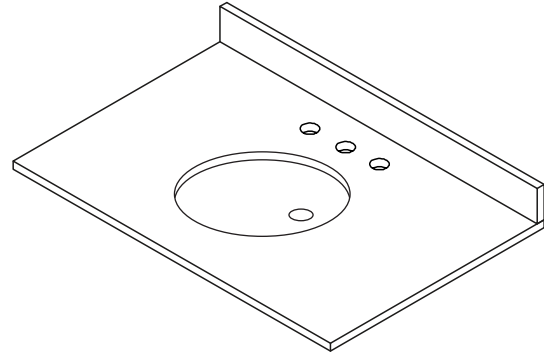
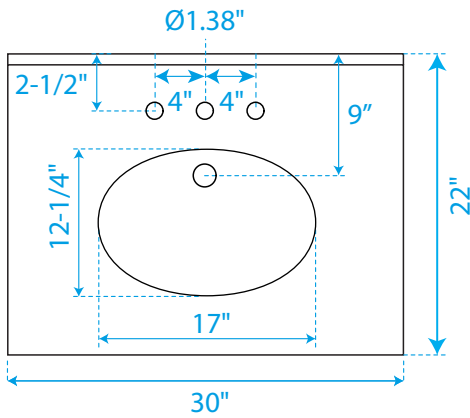


WYNDHAM COLLECTION



Note: All measurements are $\pm 1/4"$.

WC-1414-30-SGL-TOP
UMOV