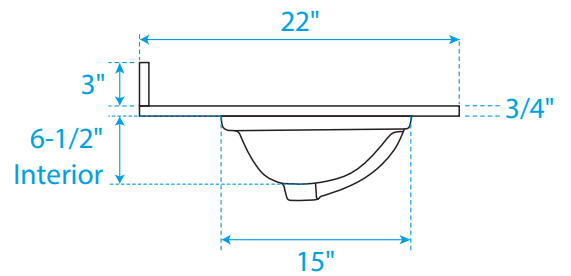
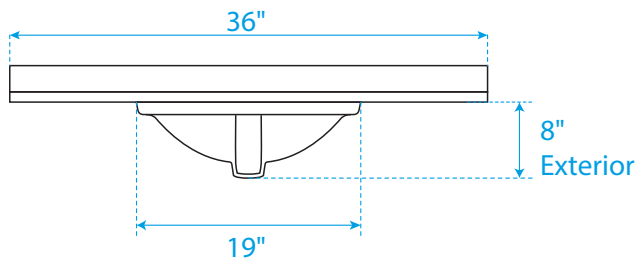
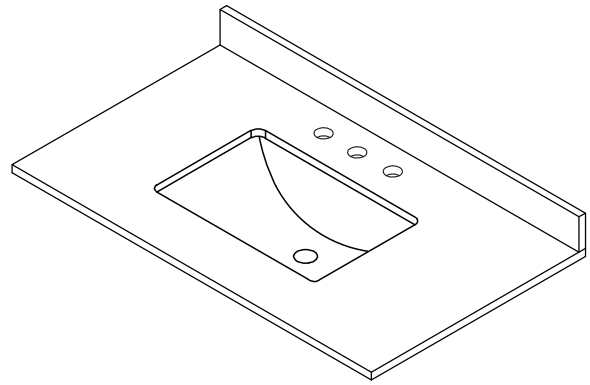
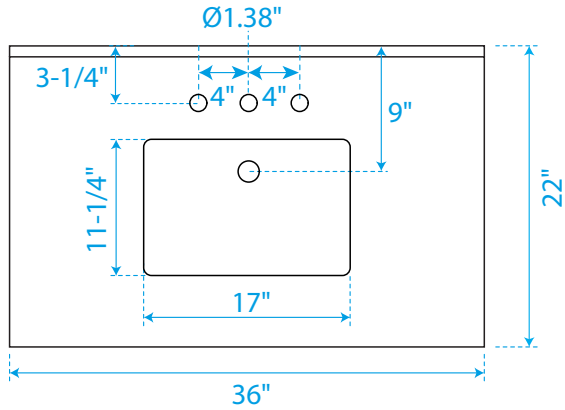


WYNDHAM COLLECTION



Note: All measurements are $\pm 1/4"$.

WC-2020-36-SGL-TOP