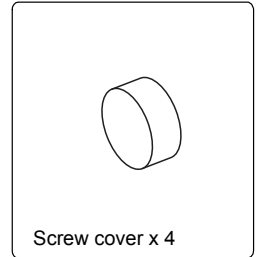
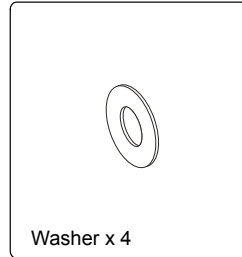
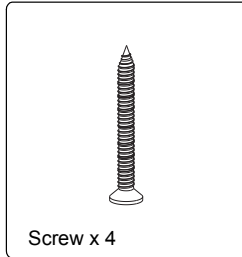
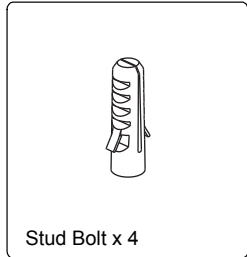
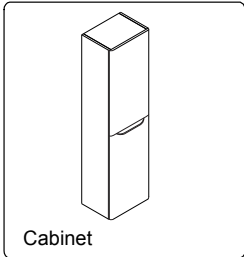


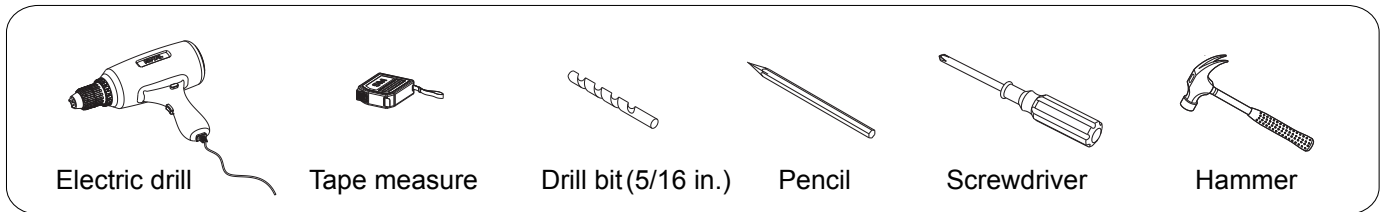
WYNDHAM COLLECTION

- Prior to installation please check received items against the "Packing List". Please report any missing items to your retailer immediately.
- Protect all surfaces from sharp objects, high heat sources, direct prolonged sunlight and chemical hazards.
- Professional installation recommended.

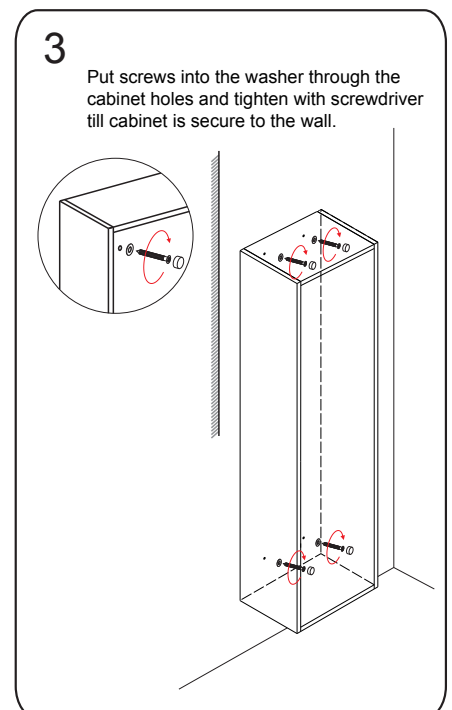
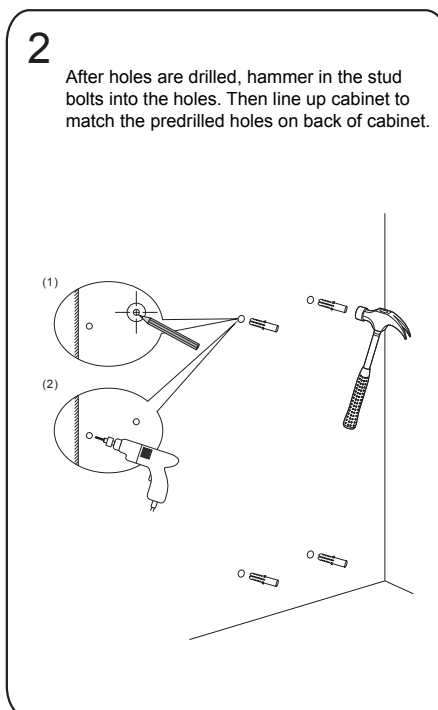
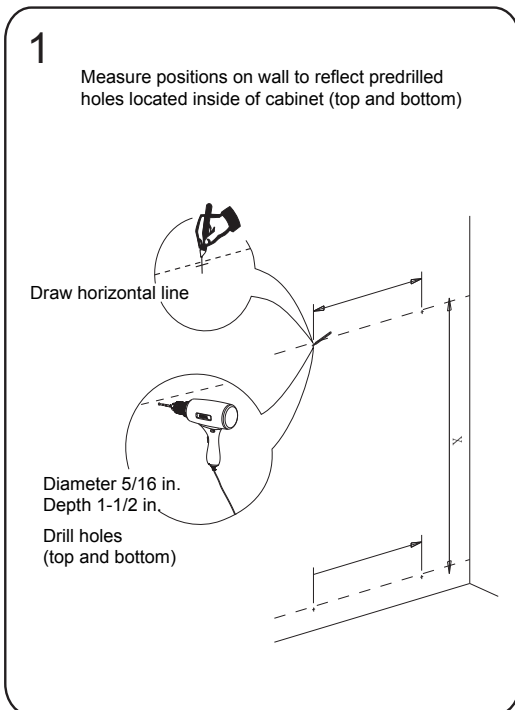
PACKING LIST



REQUIRED TOOLS NOT IN BOX



INSTALLATION INSTRUCTIONS



WC-7777-CAB
INSTALLATION-GUIDE