

Installation Guide | Bathroom Console Sinks

Index

Bathroom Console Sink Type	Page
Cento Free Standing Console Sinks	1-3
Cento Free Standing Console Sinks	4-5
Cento Wall Mount Console Sinks	6-8
Louise Console Sinks	9
Retro Console Sinks	10-12
Waldorf Console Sinks	13

Note:

Installation guides show general instructions and may not depict your exact model in the figures and graphics. WS Bath Collections accepts no liability for any damage to the property; floor, walls, plumbing, sink, or personal injury during installation.

If you have any questions or need any additional help please do not hesitate to contact us.

**Installation
Instructions**

**Model |
Bathroom Sinks**

Dimensions Metric

*1 inch = 2.54 cm
1 inch = 25.4 mm*

The logo for WS Bath Collections features the letters 'WS' in a large, blue, serif font. To the right of 'WS' is the word 'BATH' in a smaller, blue, sans-serif font, and below 'BATH' is the word 'COLLECTIONS' in an even smaller, blue, sans-serif font. A registered trademark symbol (®) is located to the upper right of the 'S'.

1051 Lea Drive - Collegeville, PA 19426
Tel. 215 513 9400 - Fax 610 831 0215
www.ws bathcollections.com - info@ws bathcollections.com

Before You Start Installation

We recommend that you consult with a professional if you are unfamiliar with installing this type of product. WS Bath Collections accepts no liability for any damage to the property; floor, walls, plumbing, sink, or personal injury during installation.

Follow up all local plumbing and building codes.

Getting Started

Insure that you have all the requires materials and tools for the installation.

Install sufficient backing behind the finished wall to provide adequate support to secure the mounting hardware (refer to diagram attached). If the studs do not align with the sink, proper wood blocking must be installed between the studs where the sink will mount.

Make sure that in-wall plumbing has already been prepared.

Unpack the new sink and inspect it for damage prior to installation.

Installation

1. Hold the sink up at the desired installation location. Ensure that the sink is level, then mark the location of the mounting holes on the back of the sink.
2. Drill pilot holes at the marked locations of the sink's mounting holes.
3. Insert the anchors into the drilled holes, screw in the mounting hanger bolts.
4. Move the sink back into position at the installation location.
5. Secure sink with washers and nuts. Be careful not to over tighten the bolts to avoid sink chips and cracks.
6. Proceed to installation of the drain, trap, water supply lines, and the sink faucet.
7. Complete the installation by applying a thin bead of silicone around the back of the sink where it meets the wall.

Tools You May Need



Pencil



Measuring Tape



Level



Silicone Sealant
100%



Stud Finder



Drill



Wrench



Bolt



Drywall Anchor

Note

WS Bath Collections reserves the right to make revisions in the design of products without notice.

**Installation
Instructions**

**Model |
Wall-mount Sinks**

Dimensions Metric

1 inch = 2.54 cm
1 inch = 25.4 mm

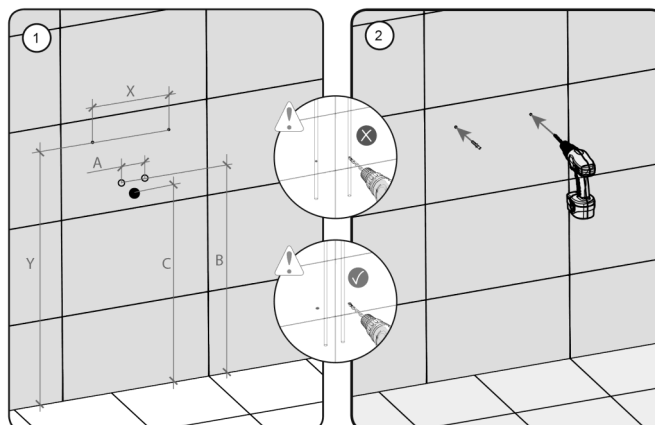
WS[®]
**BATH
COLLECTIONS**

1051 Lea Drive - Collegeville, PA 19426
Tel. 215 513 9400 - Fax 610 831 0215

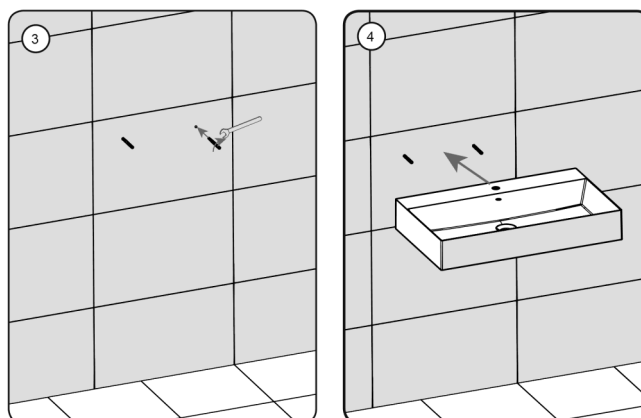
www.ws bathcollections.com - info@ws bathcollections.com

Installation Instructions & Diagrams

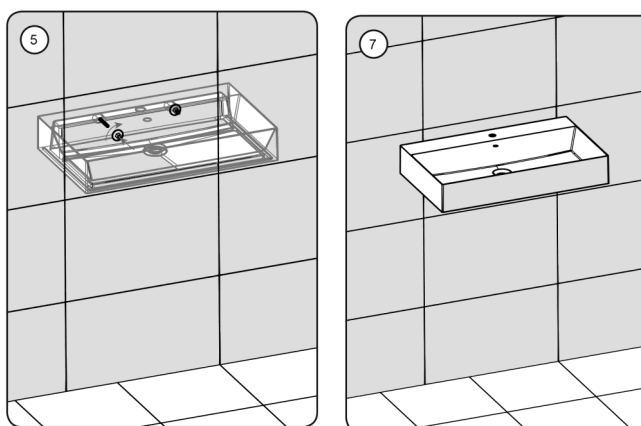
1. Hold the sink up at the desired installation location. Ensure that the sink is level, then mark the location of the mounting holes on the back of the sink.
2. Drill pilot holes at the marked locations of the sink's mounting holes.



3. Insert the anchors into the drilled holes, screw the mounting hanger bolts.
4. Move the sink back into position at the installation location.



5. Secure sink with washers and nuts. Be careful not to over tighten the bolts to avoid sink chips and cracks.
6. Proceed to installation of the drain, trap, water supply lines, and the sink faucet.
7. Complete the installation by applying a thin bead of silicone around the back of the sink where it meets the wall.



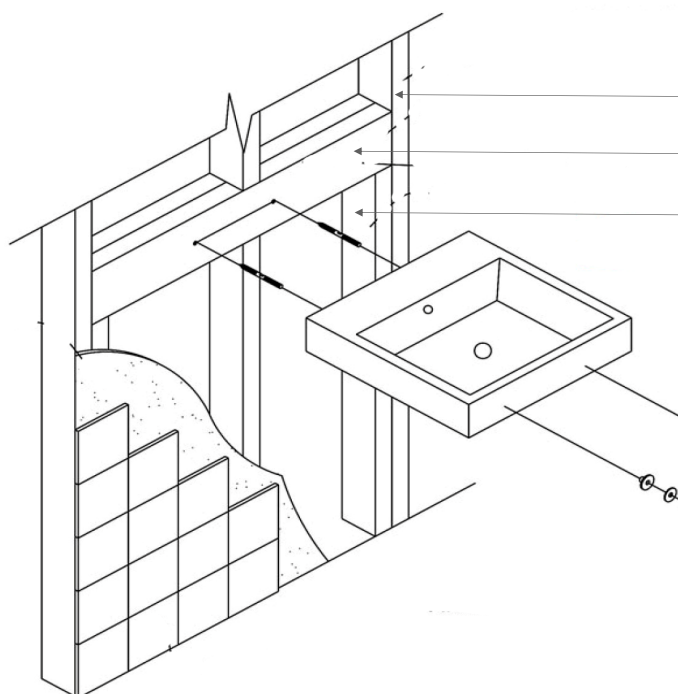
**Installation
Instructions**

**Model |
Wall-mount Sinks**

Dimensions Metric
1 inch = 2.54 cm
1 inch = 25.4 mm

WS[®]
**BATH
COLLECTIONS**

1051 Lea Drive - Collegeville, PA 19426
Tel. 215 513 9400 - Fax 610 831 0215
www.wsbatchollections.com - info@wsbatchollections.com



Studs

(2) 2" x 6" or larger needed for support of wall-mount sinks

Hanger bolt

Bushing

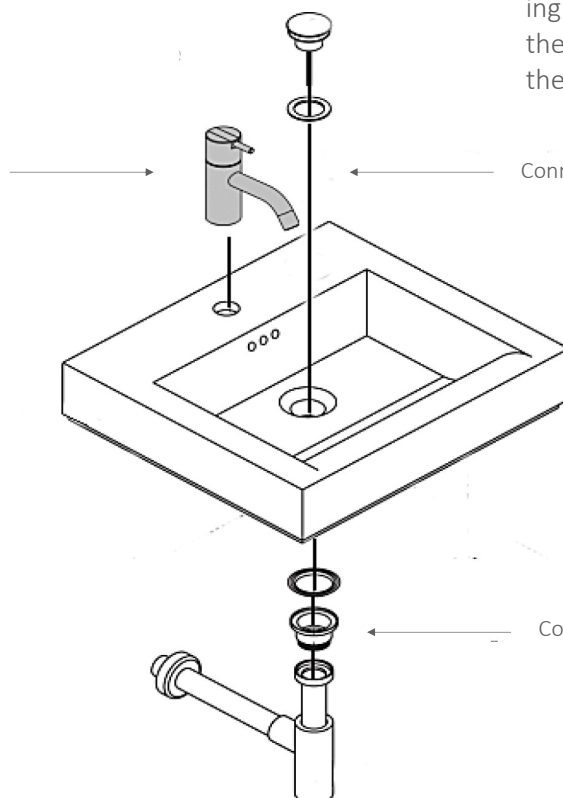
Washer

Nut

Proceed to installation of the drain, trap, water supply lines, and the sink faucet.

Complete the installation by applying a thin bead of silicone around the back of the sink where it meets the wall.

For deck-mount faucets:
Mount faucet and water supply lines



Connect drain

Connect trap assembly

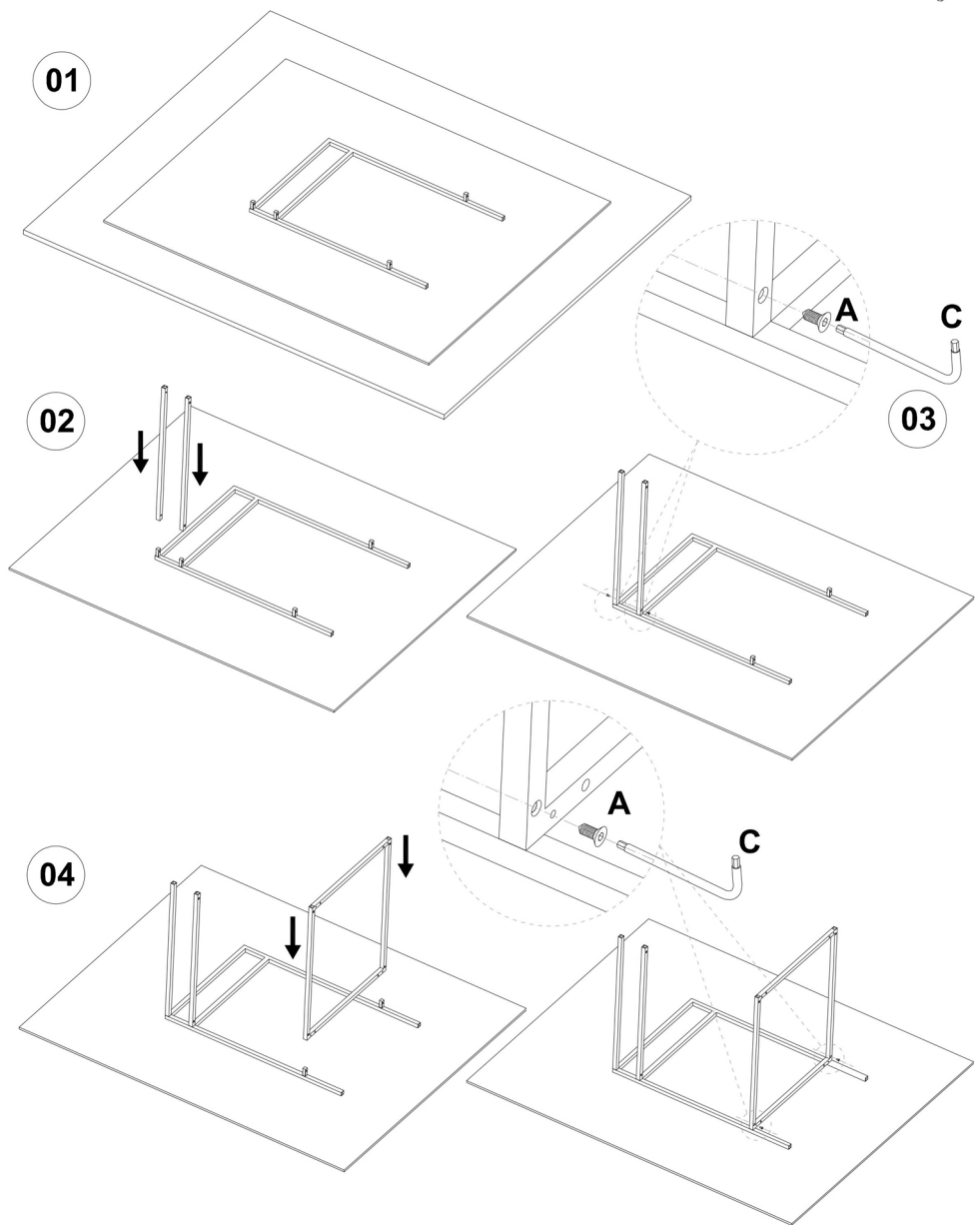
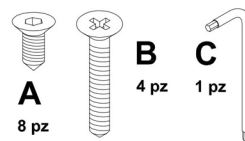
**Installation
Instructions**

**Model |
Wall-mount Sinks**

Dimensions Metric
1 inch = 2.54 cm
1 inch = 25.4 mm

**WS[®]
BATH
COLLECTIONS**

1051 Lea Drive - Collegeville, PA 19426
Tel. 215 513 9400 - Fax 610 831 0215
www.ws bathcollections.com - info@ws bathcollections.com



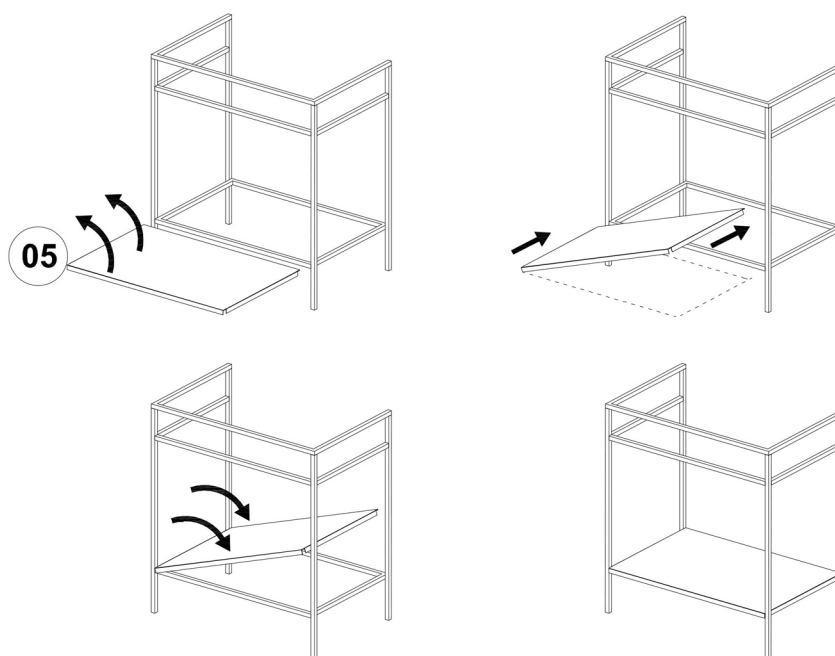
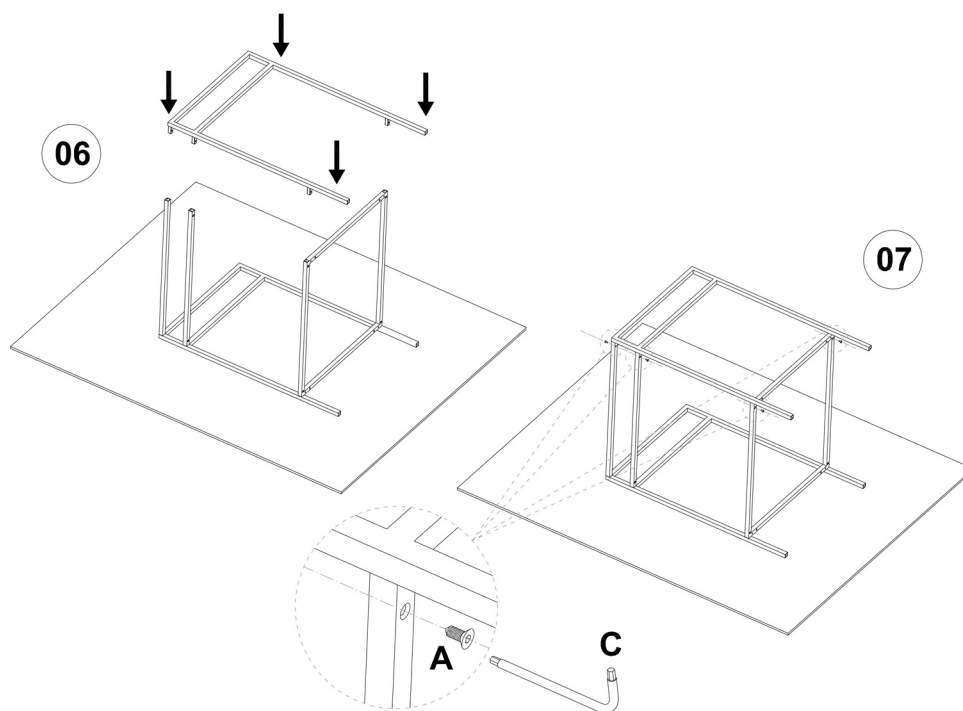
**Installation
Instructions**

Model |
Cento Console Sinks
Free Standing Console

Dimensions Metric
1 inch = 2.54 cm
1 inch = 25.4 mm



1051 Lea Drive - Collegeville, PA 19426
 Tel. 215 513 9400 - Fax 610 831 0215
www.wsbatchollections.com - info@wsbatchollections.com



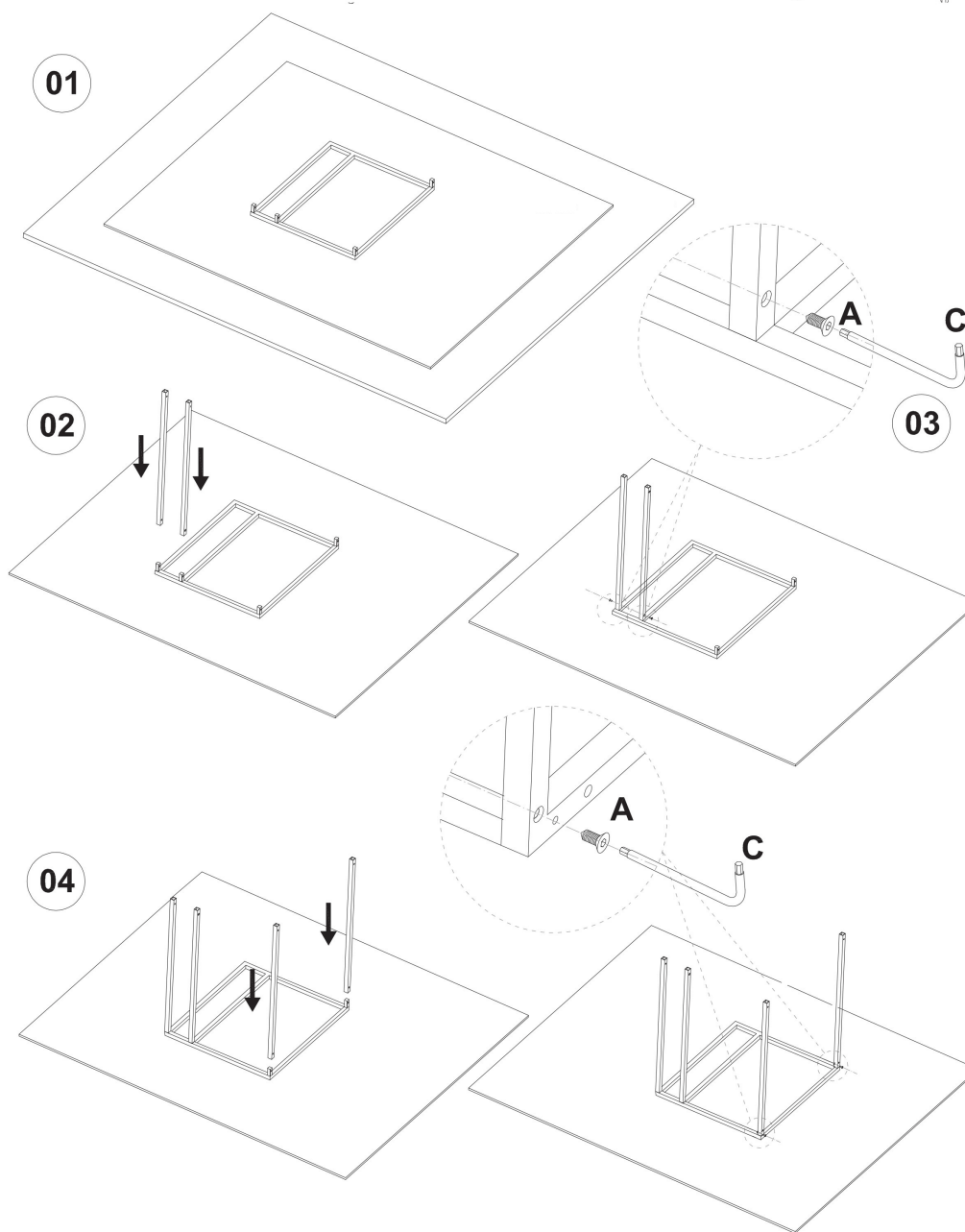
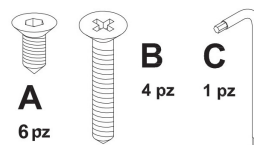
**Installation
Instructions**

Model |
Cento Console Sinks
Free Standing Console

Dimensions Metric
1 inch = 2.54 cm
1 inch = 25.4 mm

WS[®]
BATH
COLLECTIONS

1051 Lea Drive - Collegeville, PA 19426
 Tel. 215 513 9400 - Fax 610 831 0215
www.ws bathcollections.com - info@ws bathcollections.com



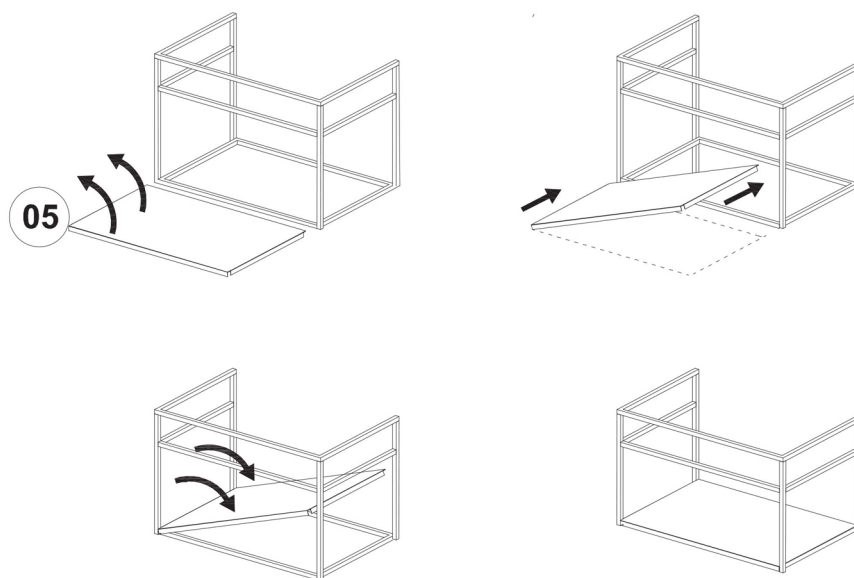
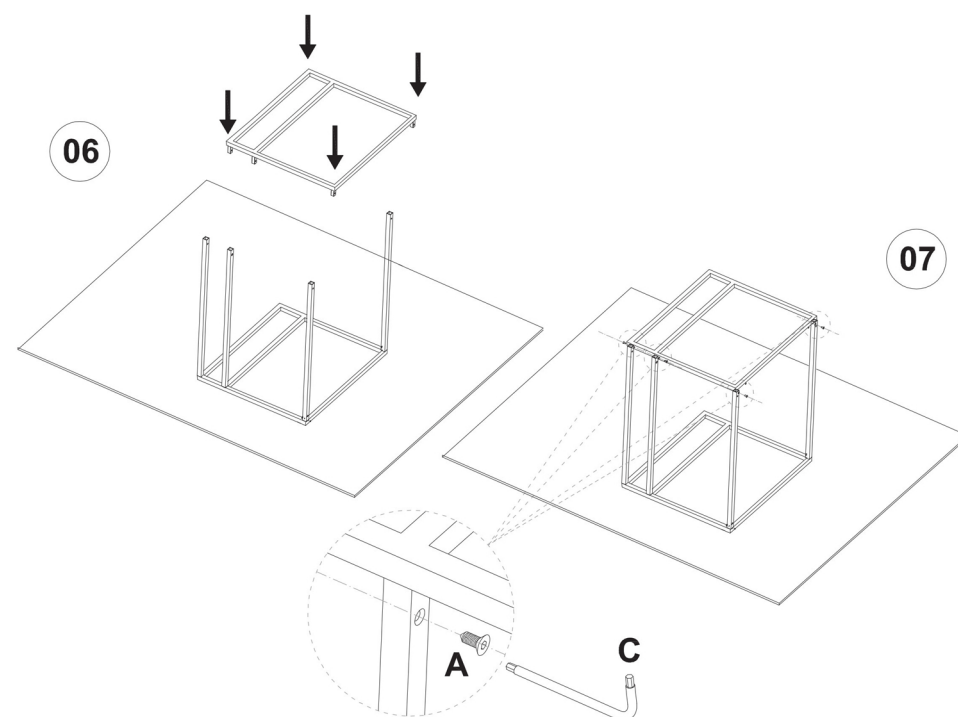
**Installation
Instructions**

Model |
Cento Console Sinks
Wall Mount Console

Dimensions Metric
1 inch = 2.54 cm
1 inch = 25.4 mm

WS[®]
**BATH
COLLECTIONS**

1051 Lea Drive - Collegeville, PA 19426
Tel. 215 513 9400 - Fax 610 831 0215
www.ws bathcollections.com - info@ws bathcollections.com



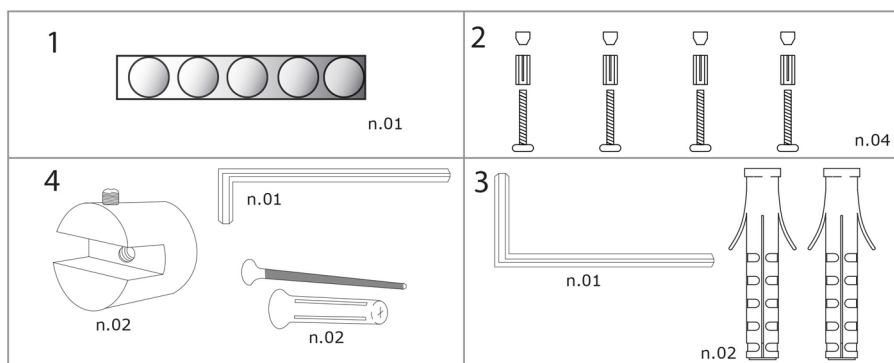
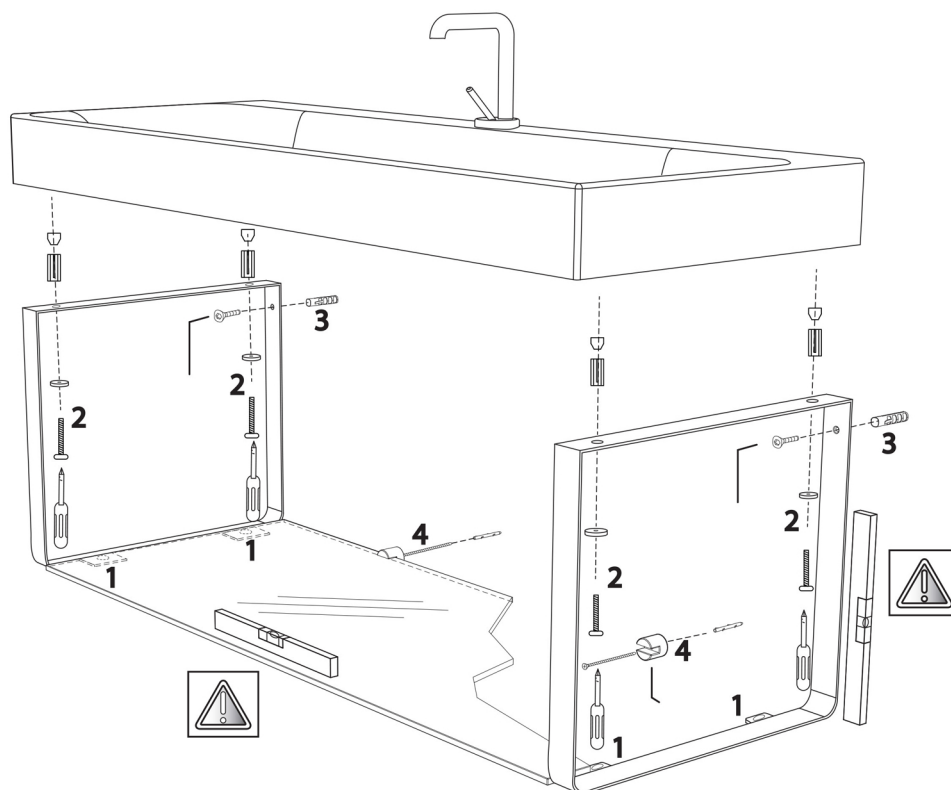
**Installation
Instructions**

Model |
Cento Console Sinks
Wall Mount Console

Dimensions Metric
1 inch = 2.54 cm
1 inch = 25.4 mm

WS[®]
BATH
COLLECTIONS

1051 Lea Drive - Collegeville, PA 19426
Tel. 215 513 9400 - Fax 610 831 0215
www.ws bathcollections.com - info@ws bathcollections.com



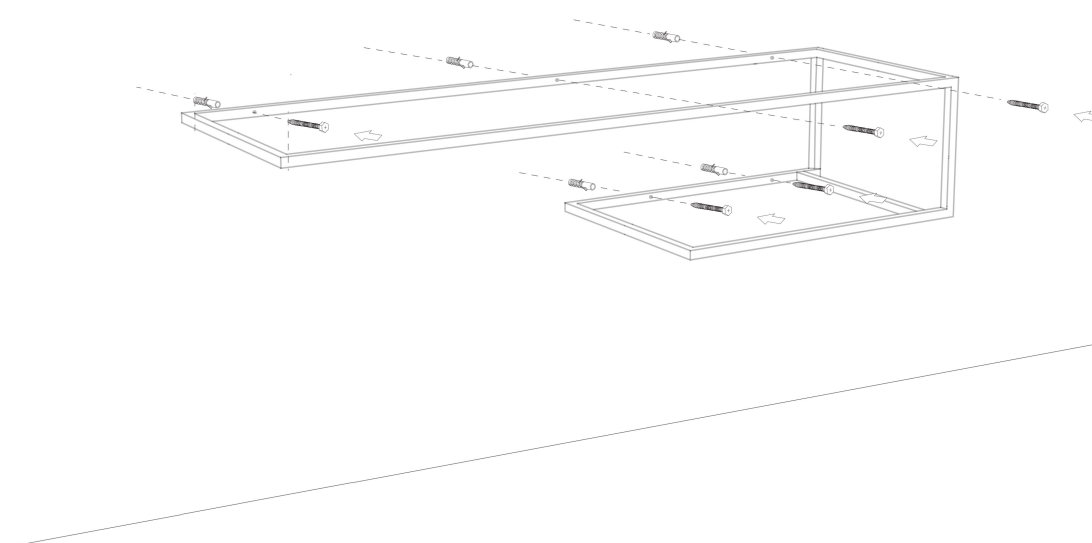
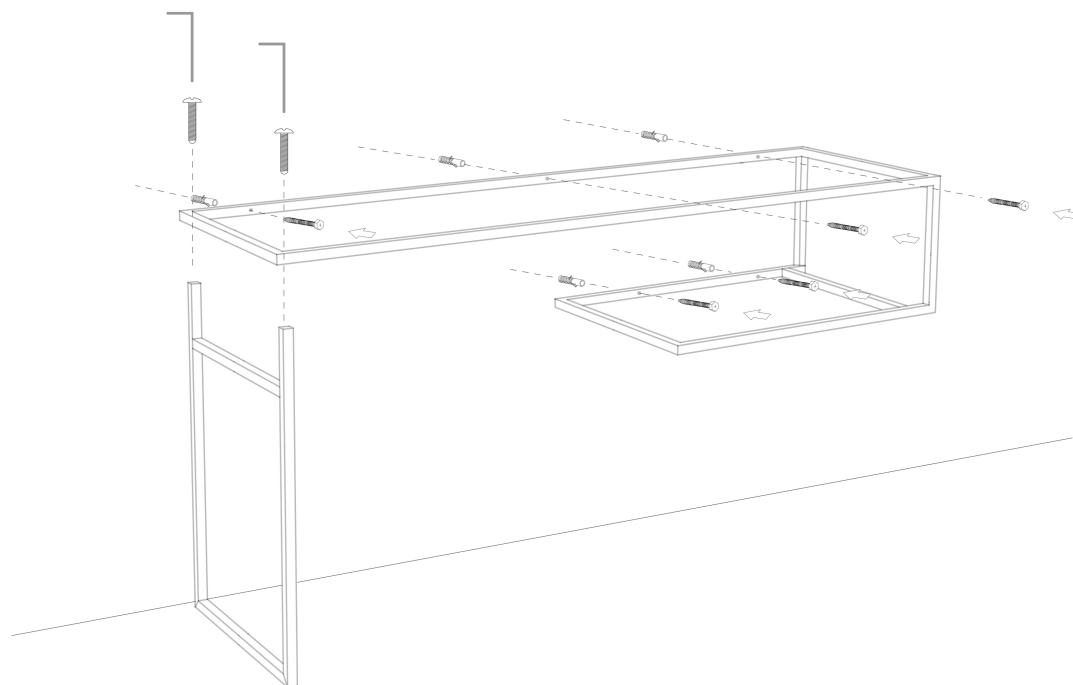
Installation Instructions

Model |
Cento Console Sinks
Wall Mount Console

Dimensions Metric
1 inch = 2.54 cm
1 inch = 25.4 mm



1051 Lea Drive - Collegeville, PA 19426
 Tel. 215 513 9400 - Fax 610 831 0215
www.ws bathcollections.com - info@ws bathcollections.com



**Installation
Instructions**

**Model |
Louise Console Sinks**

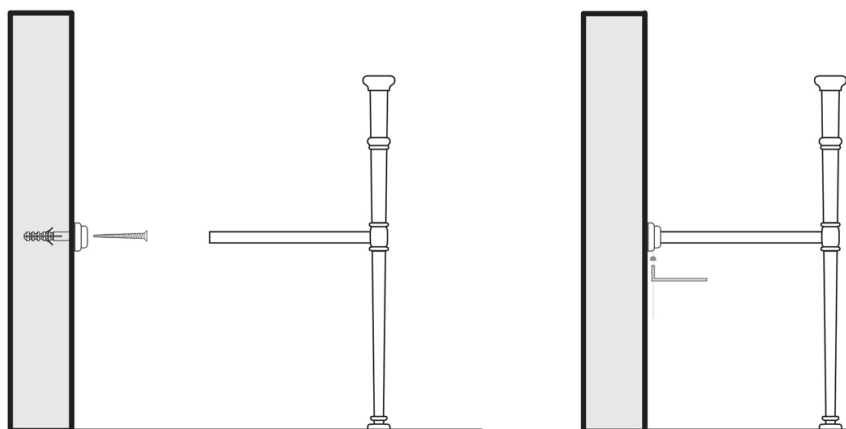
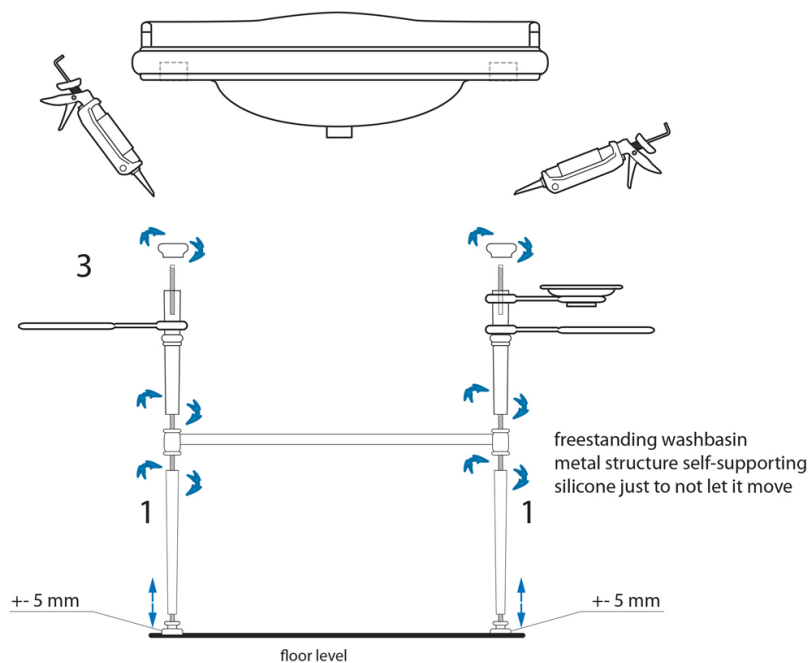
Dimensions Metric

*1 inch = 2.54 cm
1 inch = 25.4 mm*

**WS[®]
BATH
COLLECTIONS**

1051 Lea Drive - Collegeville, PA 19426
Tel. 215 513 9400 - Fax 610 831 0215

www.ws bathcollections.com - info@ws bathcollections.com



**Installation
Instructions**

**Model |
Retro 1050+7300 Console Sinks**

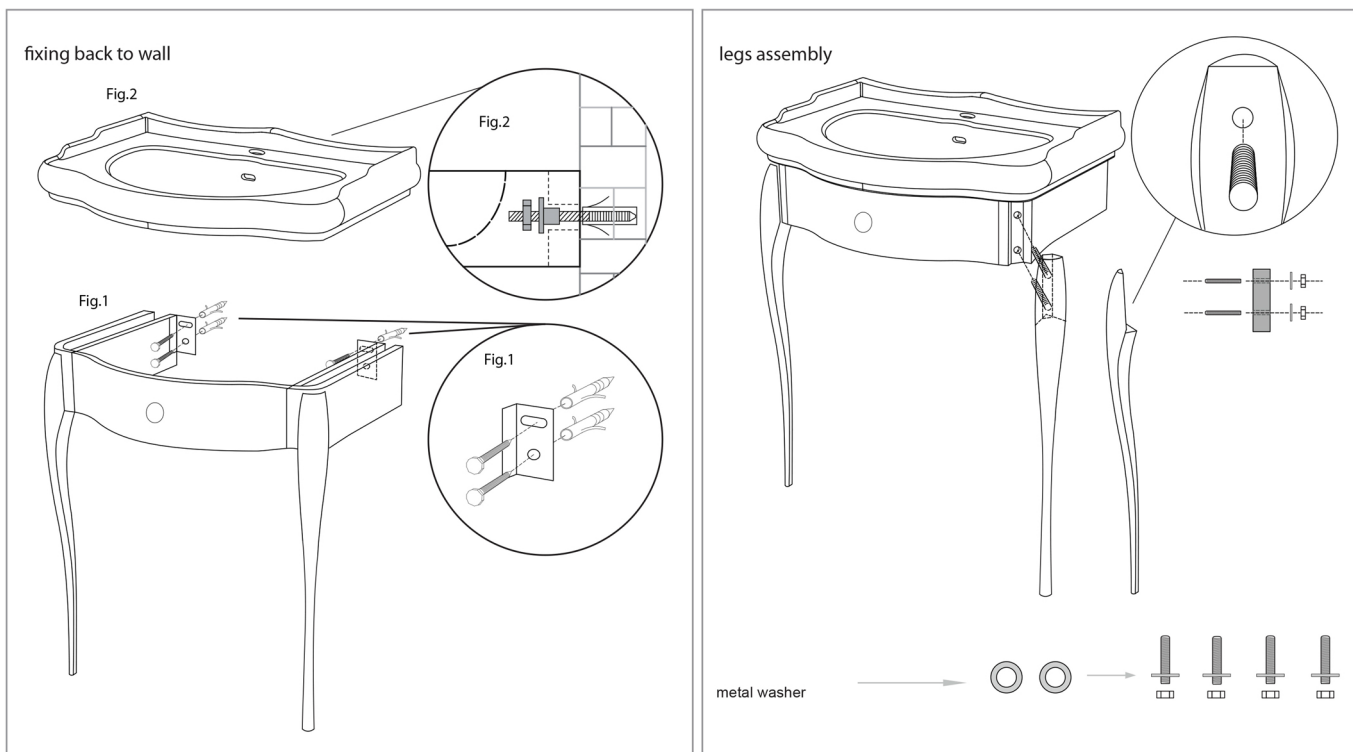
Dimensions Metric

*1 inch = 2.54 cm
1 inch = 25.4 mm*

**WS[®]
BATH
COLLECTIONS**

1051 Lea Drive - Collegeville, PA 19426
Tel. 215 513 9400 - Fax 610 831 0215

www.ws bathcollections.com - info@ws bathcollections.com



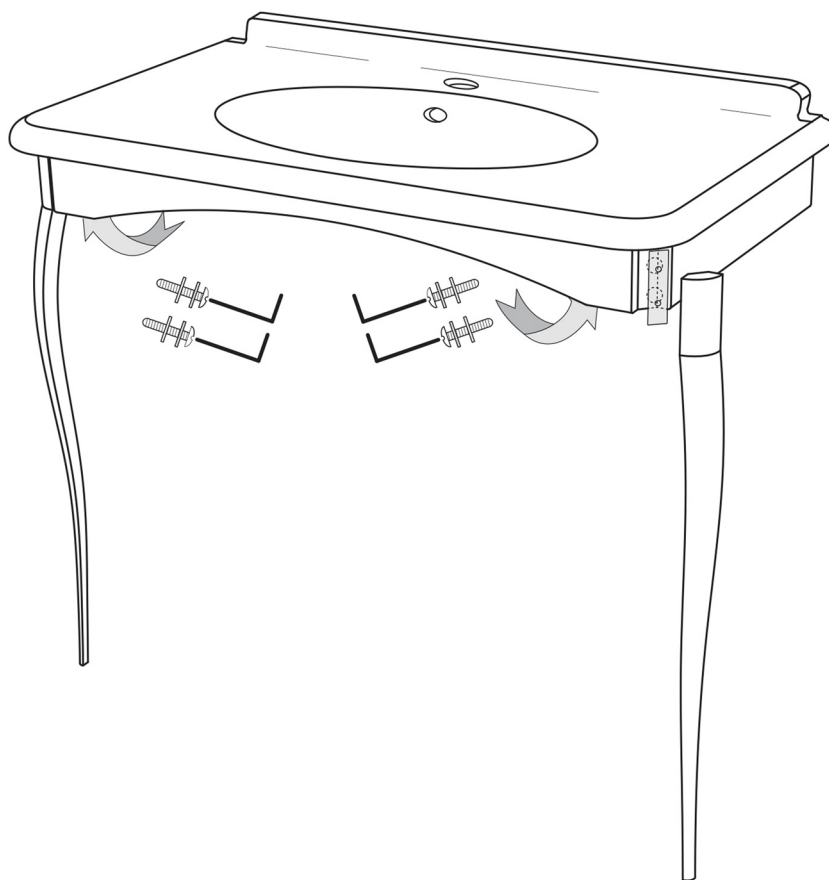
**Installation
Instructions**

Model
Retro 1047+7362 Console Sinks
Retro 1050+7363 Console Sinks

Dimensions Metric
1 inch = 2.54 cm
1 inch = 25.4 mm

WS[®]
**BATH
 COLLECTIONS**

1051 Lea Drive - Collegeville, PA 19426
 Tel. 215 513 9400 - Fax 610 831 0215
www.wsbatchcollections.com - info@wsbatchcollections.com



**Installation
Instructions**

**Model |
Retro 1049 Console Sinks**

Dimensions Metric

*1 inch = 2.54 cm
1 inch = 25.4 mm*

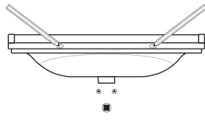
**WS[®]
BATH
COLLECTIONS**

1051 Lea Drive - Collegeville, PA 19426
Tel. 215 513 9400 - Fax 610 831 0215

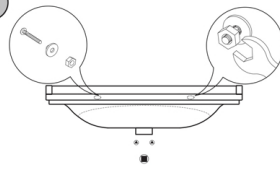
www.ws bathcollections.com - info@ws bathcollections.com

Waldorf Console Sinks Installation Instructions

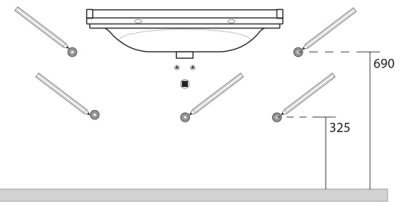
1



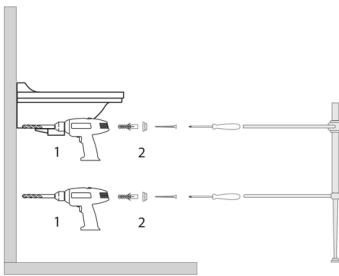
2



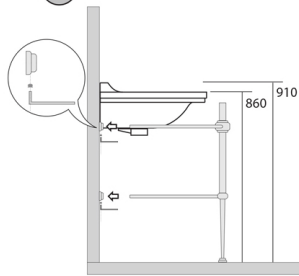
3



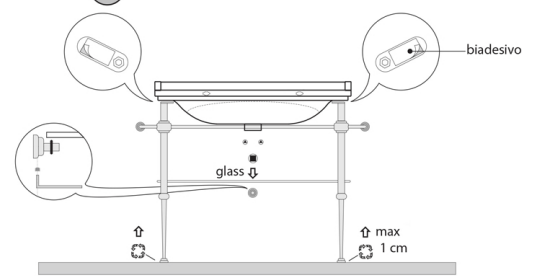
4



5

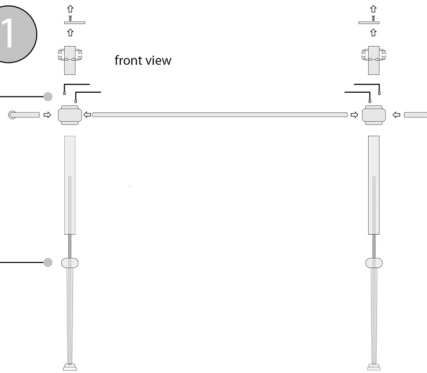


6



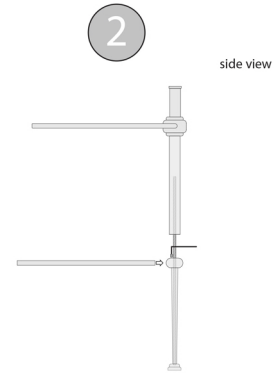
disassemble the element to allow housing of the central and side bar, then tighten the internal dowels to complete the assembly.

1



front view

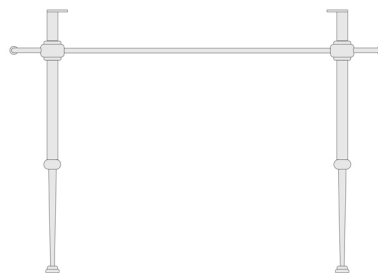
2



side view

only after having installed the structure, proceed with fixing it to the wall

front view



side view



Installation Instructions

Model | Waldorf Console Sinks

Dimensions Metric
 1 inch = 2.54 cm
 1 inch = 25.4 mm

WS[®] BATH COLLECTIONS

1051 Lea Drive - Collegeville, PA 19426
 Tel. 215 513 9400 - Fax 610 831 0215
www.ws bathcollections.com - info@ws bathcollections.com