

Antique AN 100+270

Features

- Bathroom Console Sink
- Made of Ceramic
- Glossy White
- Sink: Antique AN 100
- Legs: Antique AN 270
- With Overflow
- Wall Mount Installation
- Available with One or Three Faucet Holes
- Made in Europe



Related Items:

- WSBC 53991 | Push Waste Drain
- WSBC 53922 | Decorative Trap


Finishes:

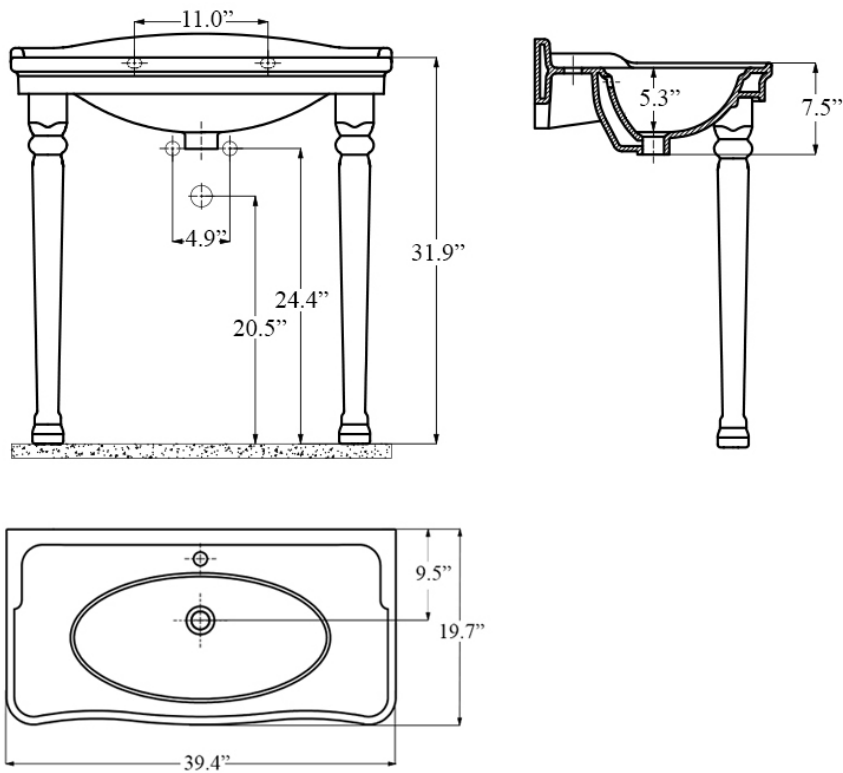
 Glossy White

SKU# | Options:

- Antique AN 100.01+270 | Glossy White, One Faucet Hole
- Antique AN 100.03+270 | Glossy White, Three Faucet Holes

* WS Bath Collections reserves the right to revise dimensions or information on this sheet without notice

Collection Antique	Model Antique AN 100+270	Dimensions Metric <i>1 inch = 2.54 cm</i> <i>1 inch = 25.4 mm</i>	 1051 Lea Drive - Collegeville, PA 19426 Tel. 215 513 9400 - Fax 610 831 0215 www.ws bathcollections.com - info@ws bathcollectiCns.com
--------------------------------	--------------------------------------	--	---



Collection
Antique

Model |
Antique AN 100+270

Dimensions Metric

1 inch = 2.54 cm
1 inch = 25.4 mm

WS[®]
BATH
COLLECTIONS

1051 Lea Drive - Collegeville, PA 19426
Tel. 215 513 9400 - Fax 610 831 0215
www.ws bathcollections.com - info@ws bathcollections.com

We recommend the following items that work with your sink.

Antique AN 100+270

TRAPS



WSBC 53922
Our best seller

-  Polished Chrome
WSBC 53922.29
-  Matte Black
WSBC 53922.22



WSBC 5392

-  Polished Chrome
WSBC 5392.29



WSBC 53925

-  Polished Chrome
WSBC 53925.29



WSBC 53921
Space saving

-  Polished Chrome
WSBC 53921.29
-  Matte Black
WSBC 53921.22

DRAINS



WSBC 53991
Push waste drain (click clack)
with overflow

-  Polished Chrome
WSBC 53991.29
-  Glossy White
WSBC 53991.09
-  Glossy Black
WSBC 53991.18
-  Matte White
WSBC 53991.26
-  Matte Black
WSBC 53991.22

MOUNTING HARDWARE

Wall-mount installation

Vessel/ countertop installation



Bolts



Silicone (optional)

Collection
Antique

Model |
Antique AN 100+270

Dimensions Metric
1 inch = 2.54 cm
1 inch = 25.4 mm

WS[®]
BATH
COLLECTIONS

1051 Lea Drive - Collegeville, PA 19426
Tel. 215 513 9400 - Fax 610 831 0215
www.ws bathcollections.com - info@ws bathcollections.com