

## Ambra 80F Pack 1 S03

### Features

- Complete Vanity Unit with Lighted Mirror (Simply L00300)
- Available in 4 Finishes: Glossy White, Nordic Oak, Anthracite, and Samara Ash
- Free Standing Installation with Four Legs in Bright Chrome
- Two soft close drawers with organizer in upper drawer
- Includes integrated sink and vanity top in gloss white ceramic with faucet hole and overflow
- Fully assembled structure and front made of engineered wood in wood finishes and high gloss lacquered
- Handle integrated in front of furniture
- Hidden hanging bracket directly assembled with great resistance and depth regulations
- Made in Spain







### Related Items:

- WSBC 53991 | Push Waste Drain
- WSBC 53922 | Decorative Trap


### SKU# | Options

- Ambra 80F Pack 1 S03 NO | Nordic Oak
- Ambra 80F Pack 1 S03 SA | Samara Ash
- Ambra 80F Pack 1 S03 WG | Glossy White
- Ambra 80F Pack 1 S03 AN | Anthracite

### Finishes

-  Nordic Oak
-  Samara Ash
-  Glossy White
-  Anthracite

\* WS Bath Collections reserves the right to revise dimensions or information on this sheet without notice

<b>Collection</b> Ambra	<b>Model</b>   Ambra 80F Pack 1 S03	Dimensions Metric <i>1 inch = 2.54 cm</i> <i>1 inch = 25.4 mm</i>	 1051 Lea Drive - Collegeville, PA 19426 Tel. 215 513 9400 - Fax 610 831 0215 <a href="http://www.ws bathcollections.com">www.ws bathcollections.com</a> - <a href="mailto:info@ws bathcollectins.com">info@ws bathcollectins.com</a>
----------------------------	--	---	---

## Technical features

Technical drawing	Name	Material	Colour	Colour
	<b>SLIM</b>			Gloss White
	<b>AMBRA</b> 2 Drawers			Nordic Oak
				Samara Ash
				Gloss White
				Anthracite
	<b>LEGS</b>			Chrome

## Technical information

STRUCTURE	MDF board in 5/8 in. continuous wrapping in 2D/ Cyclum Process.
FRONT	MDF board in 5/8 in. continuous wrapping in 2D/ Cyclum Process.
HANDLE	Integrated in the front of the furniture.
DRAWER	Drawers made in mokka textile poly laminate coated board with hidden partial extraction runners with soft close system. Includes organizer in upper drawer. Lower drawer useful space (widthxhighxdepth): 27 <sup>15/16</sup> x 4 <sup>57/16</sup> x 12 <sup>2/4</sup> in.
WALL HANGING BRACKET	Hidden hanging bracket of directly assembled with great resistance and depth regulations.
LEGS	Metallic in bright chrome finish. (optional)
PIPE DEPTH	Pipe depth 2 <sup>1/54</sup> in.

Collection  
Ambra

Model |  
Ambra 80F

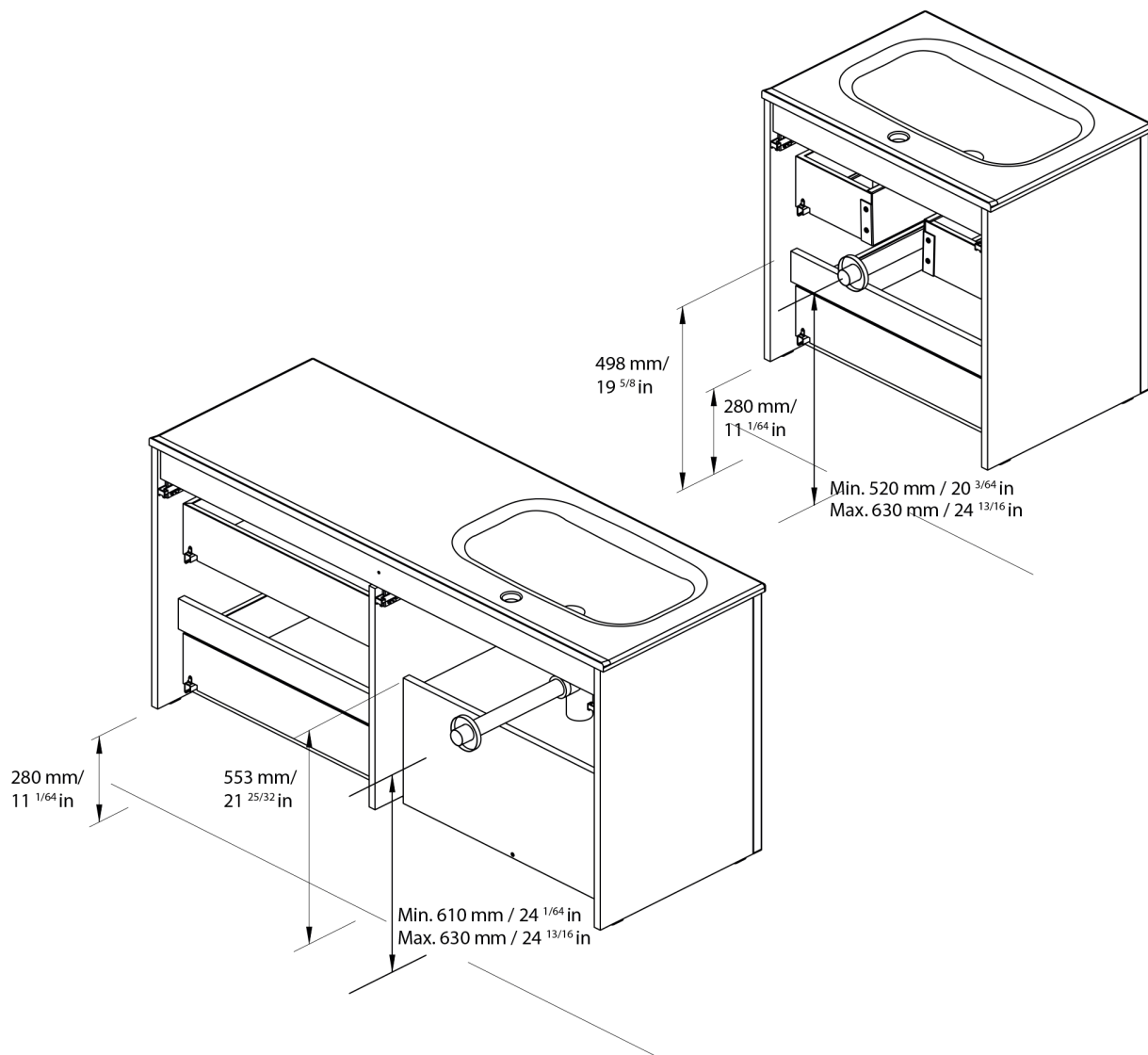
Dimensions Metric

1 inch = 2.54 cm  
1 inch = 25.4 mm

**WS**<sup>®</sup>  
BATH  
COLLECTIONS

1051 Lea Drive - Collegeville, PA 19426  
Tel. 215 513 9400 - Fax 610 831 0215

[www.ws bathcollections.com](http://www.ws bathcollections.com) - [info@ws bathcollections.com](mailto:info@ws bathcollections.com)



ES

EN

Las cotas indicadas en los dibujos son en función de la altura de la pata del conjunto, en caso de que el mueble vaya suspendido y esta altura no se respete, dichas cotas también variarán.

Dimensions indicated in the drawing are based on the level of the whole leg, in case of wall hanging the furniture dimensions also may vary.

Collection  
Ambra

Model  
Ambra 80F

Dimensions Metric

1 inch = 2.54 cm  
1 inch = 25.4 mm

WS<sup>®</sup>

BATH  
COLLECTIONS

1051 Lea Drive - Collegeville, PA 19426

Tel. 215 513 9400 - Fax 610 831 0215

[www.ws bathcollections.com](http://www.ws bathcollections.com) - [info@ws bathcollections.com](mailto:info@ws bathcollections.com)

# Product Specs Sheets

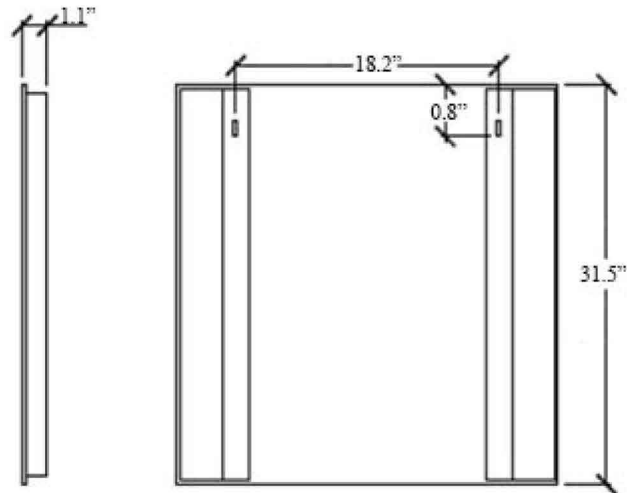
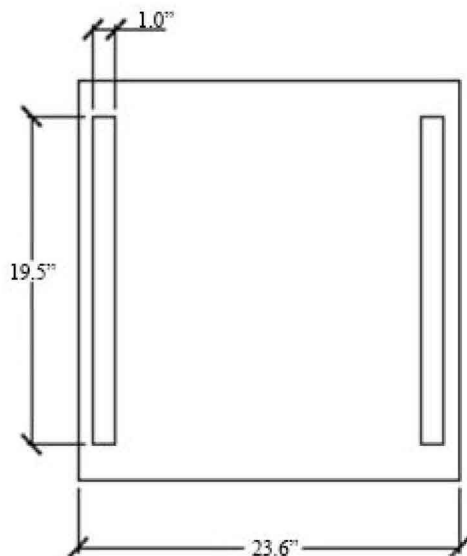
## TECHNICAL INFORMATION:

The LED's assembled in Italy, are easily replaceable.  
 110 V, Class III, IP44, LED on rigid support 2 x 5 WATT  
 measuring 49.5 x 2.5cm  
 1000 lumens of natural light color (> 4000K)  
 CE  
 Comply with the directives 2006/95 / EC and 2004/108 / EC in  
 terms of electrical safety and electromagnetic compatibility

## MATERIALS:

High-quality glass,  
 thickness 4 mm,  
 ecological production without lead and copper.  
 Structure of anodized aluminium

## COMPATIBILITY ENERGY:



Collection  
Simply

Model |  
Simply L00300

Dimensions Metric  
 1 inch = 2.54 cm  
 1 inch = 25.4 mm

**WS**<sup>®</sup>  
BATH  
COLLECTIONS

1051 Lea Drive - Collegeville, PA 19426  
 Tel. 215 513 9400 - Fax 610 831 0215  
[www.ws bathcollections.com](http://www.ws bathcollections.com) - [info@ws bathcollections.com](mailto:info@ws bathcollections.com)

We recommend the following items that work with your sink.

## TRAPS



WSBC 53922  
*Our best seller*

## DRAINS



WSBC 53991  
Push waste drain (click clack)  
*with overflow*

## MOUNTING HARDWARE

### Wall-mount installation

### Vessel/ countertop installation



Bolts



Silicone (*optional*)

Collection  
Ambra

Model |  
Ambra 80F Pack 1 S03

Dimensions Metric  
*1 inch = 2.54 cm*  
*1 inch = 25.4 mm*

**WS**®  
**BATH**  
**COLLECTIONS**

1051 Lea Drive - Collegeville, PA 19426  
Tel. 215 513 9400 - Fax 610 831 0215

[www.ws bathcollections.com](http://www.ws bathcollections.com) - [info@ws bathcollections.com](mailto:info@ws bathcollections.com)