

Cosa 48 - 86102

Features

- Bathroom Sink
- Available in 3 Finishes: Glossy White, Matte White and Matte Black
- Wall Mount or Countertop (Vessel) Installation
- Available with One or Three Faucet Holes
- With Overflow
- Made in Italy



Related Items:

- WSBC 53991 | Push Waste Drain
- WSBC 53922 | Decorative Trap

SKU# | Options

- Cosa 48.01 | One Faucet Hole
- Cosa 48.03-4 | Three Faucet Holes 4" Spread
- Cosa 48.03-8 | Three Faucet Holes 8" Spread
- Cosa 48.nn WG | Glossy White
- Cosa 48.nn WM | Matte White
- Cosa 48.nn BM | Matte Black

“.nn” refers to the number of faucets holes


Codes & Standards:

- ADA Compliant

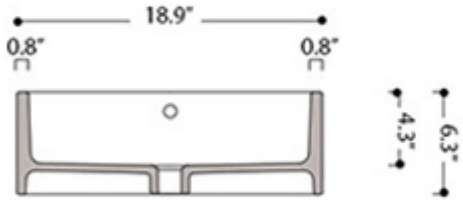
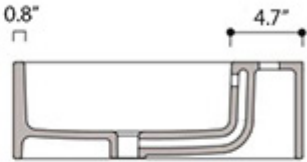
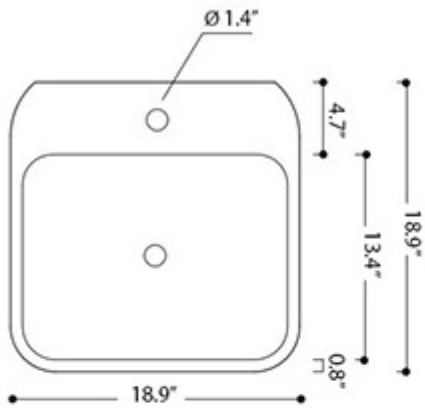
Finishes

-  Glossy White
-  Matte White
-  Matte Black

*WS Bath Collections reserves the right to revise dimensions or information on this sheet without notice

Collection Cosa	Model Cosa 48 - 86102	Dimensions Metric <i>1 inch = 2.54 cm</i> <i>1 inch = 25.4 mm</i>	 1051 Lea Drive - Collegeville, PA 19426 Tel. 215 513 9400 - Fax 610 831 0215 www.ws bathcollections.com - info@ws bathcollectins.com
---------------------------	-----------------------------------	--	---

Product Specs Sheets



Collection
Cosa

Model |
Cosa 48 - 86102

Dimensions Metric
1 inch = 2.54 cm
1 inch = 25.4 mm

WS®
BATH
COLLECTIONS

1051 Lea Drive - Collegeville, PA 19426
Tel. 215 513 9400 - Fax 610 831 0215
www.ws bathcollections.com - info@ws bathcollectins.com

Product Specs Sheets

We recommend the following items that work with your sink.

TRAPS



WSBC 53922
Our best seller



WSBC 5392



WSBC 53925



WSBC 53921
Space saving

DRAINS



WSBC 53991
Push waste drain (click clack)
with overflow

MOUNTING HARDWARE

Wall-mount installation



Bolts

Vessel/ countertop installation



Silicone (*optional*)

Collection
Cosa

Model |
Cosa 48 - 86102

Dimensions Metric
1 inch = 2.54 cm
1 inch = 25.4 mm

WS®
BATH
COLLECTIONS
1051 Lea Drive - Collegeville, PA 19426

Tel. 215 513 9400 - Fax 610 831 0215
www.ws bathcollections.com - info@ws bathcollections.com