

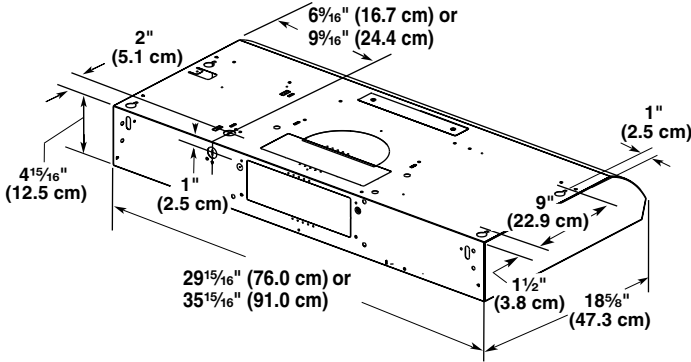
Range Hood – 30" (76.2 cm) and 36" (91.4 cm)

PRODUCT MODEL NUMBERS

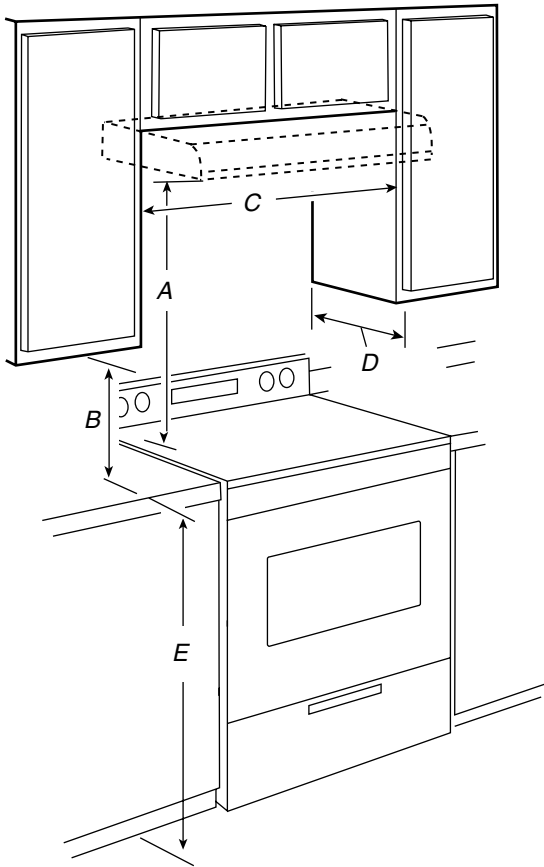
UXT5230BD UXT5236BD

Electrical: 120-volt, 60-Hz, AC-only, 15-amp. electrical supply. Use copper wire only. A time-delay fuse or circuit breaker and separate circuit is recommended.

PRODUCT DIMENSIONS



INSTALLATION CLEARANCES



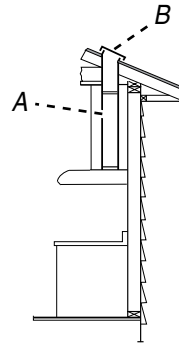
- A. 18" (45.7 cm) minimum distance from electric cooking surface.
24" (61.0 cm) minimum distance from gas cooking surface.
30" (76.2 cm) suggested maximum above the cooking surface.
- B. 18" (45.7 cm) minimum clearance - upper cabinet to countertop.
- C. 30" (76.2 cm) minimum cabinet opening width for 30" (76.2 cm) models and 36" (91.4 cm) minimum cabinet width for 36" (91.4 cm) models.
- D. 12" (30.5 cm) cabinet depth.
- E. 36" (91.4 cm) base cabinet height.

Venting Methods

NOTES:

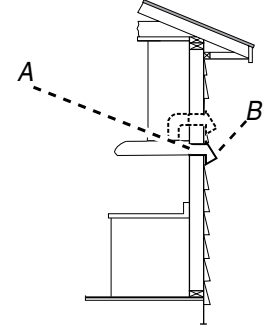
- Flexible vent is not recommended. Flexible vent creates both back pressure and air turbulence that greatly reduce performance.
 - The vent system is optional for this model.
- Vent system can terminate either through the roof or wall. Use 3¹/₄" x 10" (8.3 x 25.4 cm) rectangular with a maximum vent length of 35 ft (10.7 m) or 7" (17.8 cm) or larger round vent with a maximum length of 50 ft (15.2 m) for vent system.

Top Venting



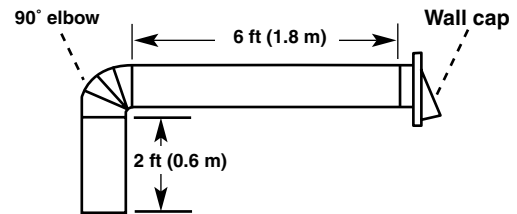
- A. 7" (17.8 cm) round vent through roof (purchased separately).
3¹/₄" x 10" (8.3 x 25.4 cm) rectangular vent through the roof (purchased separately).
- B. Roof cap with damper (purchased separately)

Wall Venting



- A. 7" (17.8 cm) round vent out the top and through the wall (purchased separately).
3¹/₄" x 10" (8.3 x 25.4 cm) rectangular vent through the wall or out the top (purchased separately).
- B. Wall cap with damper (purchased separately)

Example vent system



1 - 90° elbow	= 5.0 ft (1.5 m)
1 - wall cap	= 0.0 ft (0.0 m)
8 ft (2.4 m) straight	= 8.0 ft (2.4 m)
System length	= 13.0 ft (3.9 m)


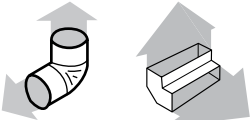
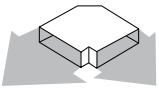
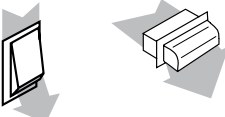
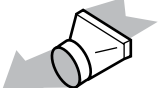
Maximum Recommended Length

7" (17.8 cm) Round Vent	= 50 ft (15.2 m)
3 ¹ / ₄ " x 10" (8.3 x 25.4 cm) Rectangular Vent	= 35 ft (10.7 m)

Calculating Vent System Length

To calculate the length of the system you need, add the equivalent feet (meters) for each vent piece used in the system.

Vent System

Vent Piece		
45° elbow	2.5 ft (0.8 m)	
90° elbow	5.0 ft (1.5 m)	
3 1/4" x 10" (8.3 cm x 25.4 cm) flat elbow	12.0 ft (3.7 m)	
7" (17.8 cm) wall cap	0.0 ft (0.0 m)	
3 1/4" x 10" (8.3 cm x 25.4 cm) to 7" (17.8 cm)	4.5 ft (1.4 m)	
3 1/4" x 10" (8.3 cm x 25.4 cm) to 7" (17.8 cm) 90° elbow	5.0 ft (1.5 m)	