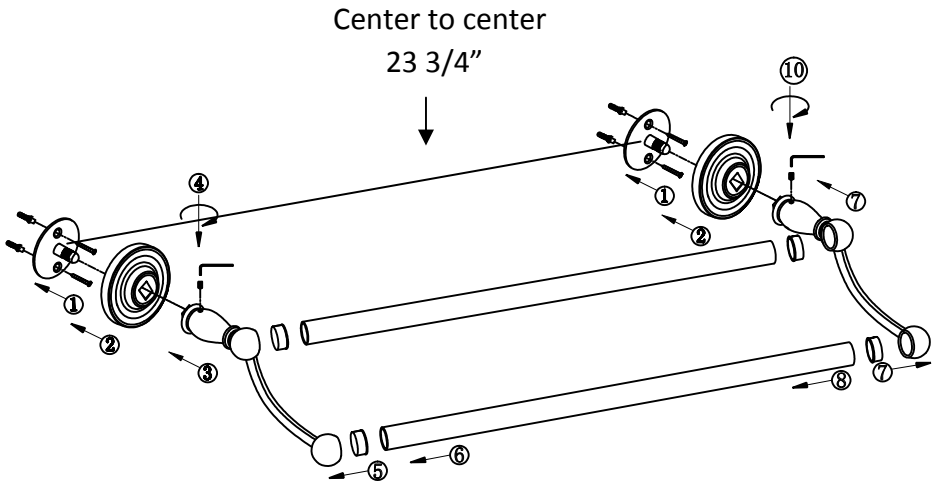


WESLOCK.

© 2011

Tulsa, Oklahoma

Double 24" Towel Bar



Instructions:

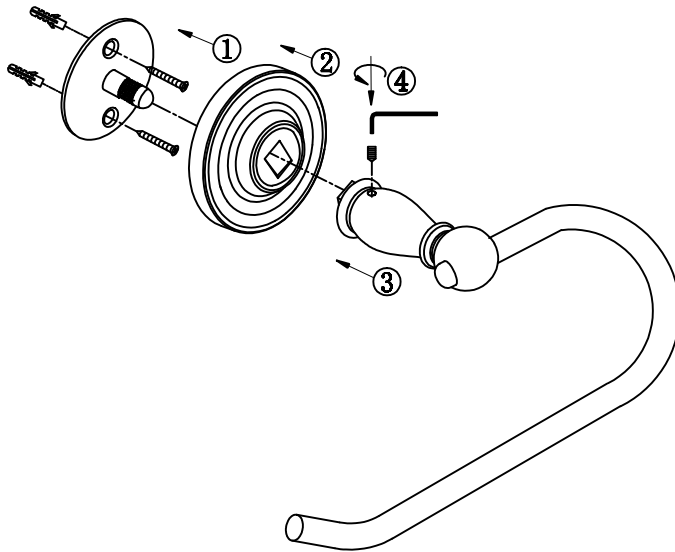
- ① Identify and mark center to center measurement for mounting plates and posts. Install both mounting plates and posts to wall with two wall anchors and screws.
- ② Slide decorative plates over mounting posts.
- ③ Slide one decorative post over mounting post.
- ④ Secure decorative post by tightening with Allen wrench.
- ⑤ Place plastic insert into decorative post
- ⑥ Slide towel bars into installed decorative posts.
- ⑦ Place plastic insert into decorative posts,
- ⑧ Slide uninstalled decorative posts onto other end of towel bars.
- ⑨ Slide uninstalled decorative post over mounting post.
- ⑩ Secure decorative post by tightening with Allen wrench.

WESLOCK.

© 2011

Tulsa, Oklahoma

Euro Tissue Holder



Instructions:

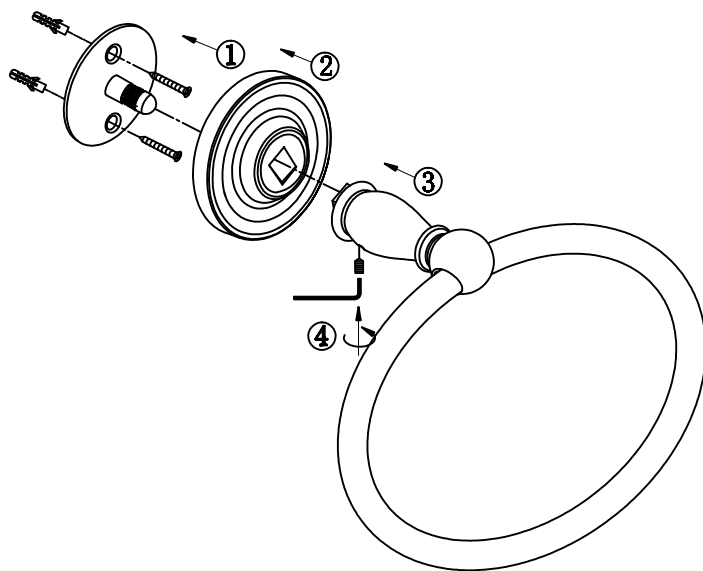
- ① Install mounting plate and post to wall with two wall anchors and screws.
- ② Slide decorative plate over mounting post.
- ③ Slide euro tissue post onto mounting post.
- ④ Secure euro tissue post by tightening with Allen wrench.

WESLOCK.

© 2011

Tulsa, Oklahoma

Towel Ring



Instructions:

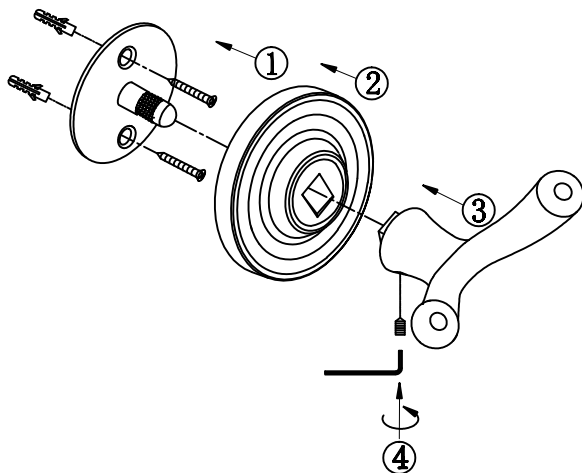
- ① Install mounting plate and post to wall with two wall anchors and screws.
- ② Slide decorative plate over mounting post.
- ③ Slide towel ring post onto mounting post.
- ④ Secure towel ring post by tightening with Allen wrench.

WESLOCK.

© 2011

Tulsa, Oklahoma

Robe Hook



Instructions:

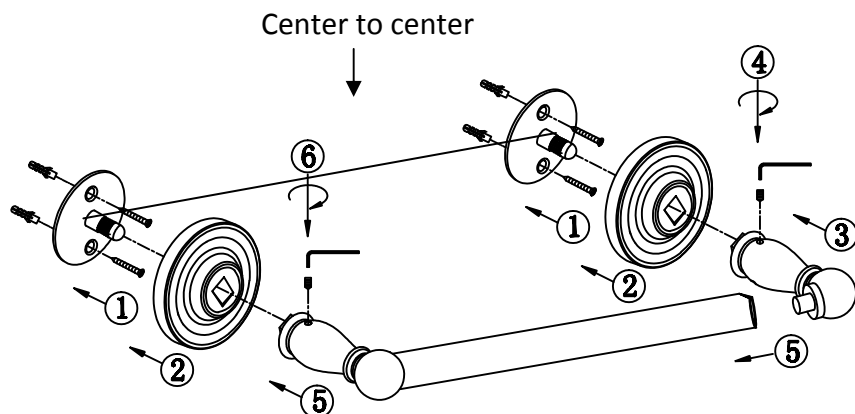
- ① Install mounting plate and post to wall with two wall anchors and screws.
- ② Slide decorative plate over mounting post.
- ③ Slide robe hook post onto mounting post.
- ④ Secure robe hook post by tightening with Allen wrench.

WESLOCK.

© 2011

Tulsa, Oklahoma

Standard Tissue Holder



Instructions:

- ① Identify and mark center to center measurement for mounting plates and posts. Install both mounting plates and posts to wall with two wall anchors and screws.
- ② Slide decorative plates over mounting posts.
- ③ Slide decorative post with fixed end onto mounting post.
- ④ Secure decorative post by tightening with Allen wrench.
- ⑤ Slide decorative post with pivoting end onto mounting post.
- ⑥ Secure decorative post by tightening with Allen wrench. However, ensure the tissue holder pivots in the upward direction, so toilet paper roll slides down when installed.