



SUBMITTAL SHEET

MODEL 111 • 1/3 H.P.

- Space saving compact design!
- High-speed 1900 r.p.m. permanent magnet motor produces more power per pound.
- Corrosion resistant grinding components.
- Fast and easy mount system provides a no hassle installation.
- Removable splash guard is included.
- Safe for properly sized septic tanks.
- Longest warranties in the industry demonstrate commitment to quality.

SEPTIC SAFE

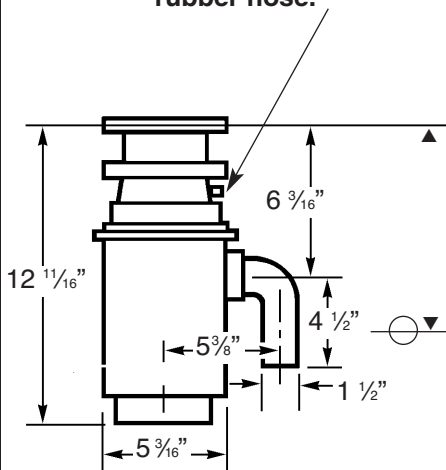


Two Year In-Home Service Warranty (see below).



DIMENSIONS

Knock-out for dishwasher drain connector sized for 7/8" I.D. rubber hose.



Measurements are in inches

SPECIFICATIONS

Motor Horsepower	1/3 H.P.
Motor Speed R.P.M.	1900
Voltage	115
Hz	60
Current-Amps	4.0
Motor Type	Permanent Magnet
Sink Flange	Stainless Steel & Celcon
Stopper	Positive Seal
Splash Guard	Removable
Waste Elbow	ABS
Feed	Continuous
Grind Ring	Heavy Gauge Galvanized Steel
Swivel Impellers	Stainless Steel
Turntable	Galvanized Steel
Hopper	Glass Filled Nylon
Grinding Chamber	Corrosion Proof Glass Filled Polyester
Bearings	Permanently Lubricated; Sleeve Type
Overload Protector	Manual Reset Type
Shipping Weight (lbs.)	8.73
Pallet Quantity	196

Due to continued product improvement, system configurations and specifications may change without notice.

Waste King® Warranty

Any Waste King Legend® Model 111 less than 2 years old that develops a material or mechanical defect will be replaced in your home free of charge.



4240 E. La Palma Avenue
Anaheim, California 92807
(800) 854-3229



SUBMITTAL SHEET
MODEL 1001 • 1/2 H.P.

- Space saving compact design!
- High-speed 2600 r.p.m. permanent magnet motor produces more power per pound.
- Corrosion resistant grinding components.
- Fast and easy mount system provides a no hassle installation.
- Removable splash guard is included.
- Safe for properly sized septic tanks.
- Longest warranties in the industry demonstrate commitment to quality.

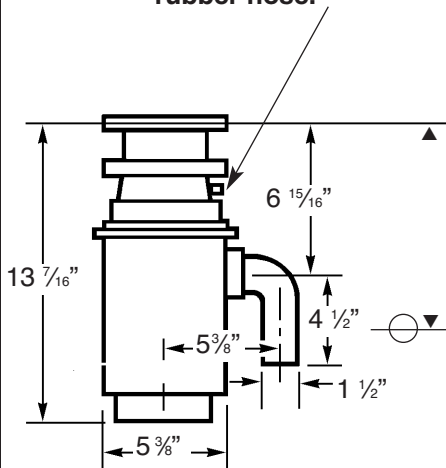


Two Year In-Home Service Warranty
 (see below).



DIMENSIONS

Knock-out for dishwasher drain connector sized for 7/8" I.D. rubber hose.



Measurements are in inches

SPECIFICATIONS

Motor Horsepower	1/2 H.P.
Motor Speed R.P.M.	2600
Voltage	115
Hz	60
Current-Amps	4.5
Motor Type	Permanent Magnet
Sink Flange	Stainless Steel & Celcon
Stopper	Positive Seal
Splash Guard	Removable
Waste Elbow	ABS
Feed	Continuous
Grind Ring	Heavy Gauge Galvanized Steel
Swivel Impellers	Stainless Steel
Turntable	Galvanized Steel
Hopper	Glass Filled Nylon
Grinding Chamber	Corrosion Proof Glass Filled Polyester
Bearings	Permanently Lubricated; Sleeve Type
Overload Protector	Manual Reset Type
Shipping Weight (lbs.)	8.90
Pallet Quantity	196

Waste King® Warranty

Any Waste King Legend® Model 1001 less than 2 years old that develops a material or mechanical defect will be replaced in your home free of charge.

Due to continued product improvement, system configurations and specifications may change without notice.



4240 E. La Palma Avenue
 Anaheim, California 92807
 (800) 854-3229



SUBMITTAL SHEET

MODEL 2600 • 1/2 H.P.

- High-speed 2600 r.p.m. permanent magnet motor produces more power per pound.
- Stainless steel grinding components.
- Fast and easy mount system provides a no hassle installation.
- Power cord included.
- Removable splash guard is included.
- Safe for properly sized septic tanks.
- Sound insulated for quiet operation.
- Longest warranties in the industry demonstrates commitment to quality.

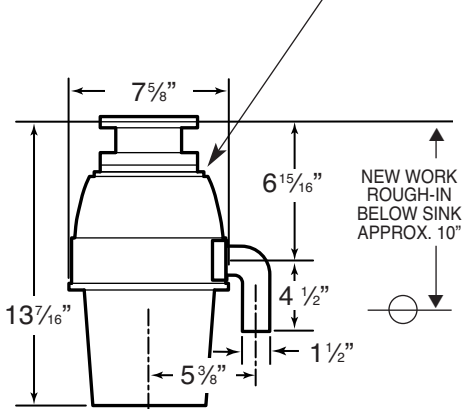


Five Year In-Home Service and LIFETIME Corrosion Warranty (see below).



DIMENSIONS

Knock-out for dishwasher drain connector sized for 7/8" I.D. rubber hose.



Measurements are in inches

SPECIFICATIONS

Motor Horsepower	1/2 H.P.
Motor Speed R.P.M.	2600
Voltage	115
Hz	60
Current-Amps	4.5
Motor Type	Permanent Magnet
Sink Flange	Stainless Steel & Celcon
Stopper	Positive Seal
Splash Guard	Removable
Waste Elbow	ABS
Feed	Continuous
Grind Ring	Stainless Steel
Swivel Impellers	Stainless Steel
Turntable	Stainless Steel
Hopper	Glass Filled Nylon
Grinding Chamber	Corrosion Proof Glass Filled Polyester
Bearings	Permanently Lubricated; Sleeve Type
Overload Protector	Manual Reset Type
Sound Shell	Yes-Full
Shipping Weight (lbs.)	9.70
Pallet Quantity	100

Waste King® Warranty

Any Waste King Legend® Model 2600 less than 5 years old that develops a material or mechanical defect will be replaced, in your home free of charge.

LIFETIME WARRANTY AGAINST CORROSION.

Any Waste King Legend® Model 2600 that fails to operate because of corrosion will be repaired or replaced free of charge to the original purchaser. Labor not included.

Due to continued product improvement, system configurations and specifications may change without notice.



4240 E. La Palma Avenue
Anaheim, California 92807
(800) 854-3229



SUBMITTAL SHEET
MODEL 2600TC • 1/2 H.P.
BATCHFEED DISPOSER

- Batch feed operation...No wall switch!
- High-speed 2600 r.p.m. permanent magnet motor produces more power per pound.
- Stainless steel, rust free grinding components.
- Fast and easy mount system provides a no hassle installation.
- Power cord included.
- Sound insulated for quiet operation.
- Safe for properly sized septic tanks.
- Longest warranties in the industry demonstrates commitment to quality.

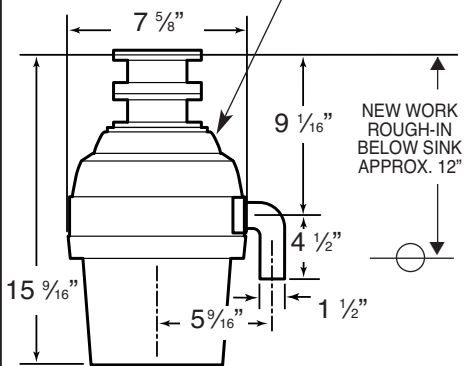


Five Year In-Home Service
 (see below)



DIMENSIONS

Knock-out for dishwasher drain connector sized for 7/8" I.D. rubber hose.



Measurements are in inches

SPECIFICATIONS

Motor Horsepower	1/2 H.P.
Motor Speed R.P.M.	2600
Voltage	115
Hz	60
Current-Amps	4.5
Motor Type	Permanent Magnet
Sink Flange	Stainless Steel & Celcon
Stopper/Actuator	3 Position
Splash Guard	Removable
Waste Elbow	ABS
Feed	Batch Loading
Grind Ring	Stainless Steel
Swivel Impellers	Stainless Steel
Turntable	Stainless Steel
Hopper	Glass Filled Nylon
Grinding Chamber	Corrosion Proof Glass Filled Polyester
Bearings	Permanently Lubricated; Sleeve Type
Overload Protector	Manual Reset Type
Sound Shell	Yes
Shipping Weight (lbs.)	11.22
Pallet Quantity	75

Waste King® Warranty

Any Waste King Legend® Model 2600TC less than 5 years old that develops a material or mechanical defect will be replaced, in your home free of charge .

Due to continued product improvement, system configurations and specifications may change without notice.



4240 E. La Palma Avenue
 Anaheim, California 92807
 (800) 854-3229



SUBMITTAL SHEET

MODEL 3200 • 3/4 H.P.

- High-speed 2700 r.p.m. permanent magnet motor produces more power per pound.
- Stainless steel grinding components.
- Fast and easy mount system provides a no hassle installation.
- Power cord included.
- Removable splash guard is included.
- Safe for properly sized septic tanks.
- Sound insulated for quiet operation.
- Longest warranties in the industry demonstrates commitment to quality.

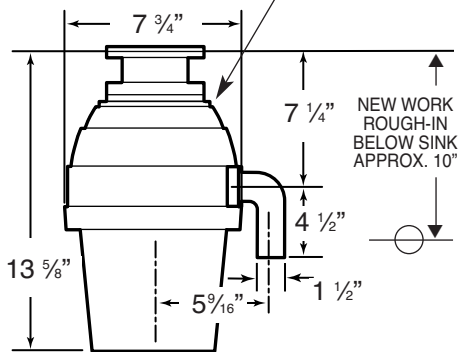


Eight Year In-Home and LIFETIME Corrosion Warranty (see below)



DIMENSIONS

Knock-out for dishwasher drain connector sized for 7/8" I.D. rubber hose.



Measurements are in inches

Waste King® Warranty

Any Waste King Legend® Model 3200 less than 8 years old that develops a material or mechanical defect will be replaced, in your home free of charge.

LIFETIME WARRANTY AGAINST CORROSION.

Any Waste King Legend® Model 3200 that fails to operate because of corrosion will be repaired or replaced free of charge to the original purchaser. Labor not included.

SPECIFICATIONS

Motor Horsepower	3/4 H.P.
Motor Speed R.P.M.	2700
Voltage	115
Hz	60
Current-Amps	4.5
Motor Type	Permanent Magnet
Power Cord	Attached
Stopper	Positive Seal
Sink Flange	Stainless Steel & Celcon
Splash Guard	Removable
Waste Elbow	ABS
Feed	Continuous
Grind Ring	Stainless Steel
Swivel Impellers	Stainless Steel
Turntable	Stainless Steel
Hopper	Glass Filled Nylon
Grinding Chamber	Corrosion Proof Glass Filled Polyester
Bearings	Permanently Lubricated; Sleeve Type
Overload Protector	Manual Reset Type
Sound Shell	Yes-Full
Shipping Weight (lbs.)	10.72
Pallet Quantity	100

Due to continued product improvement, system configurations and specifications may change without notice.



4240 E. La Palma Avenue
Anaheim, California 92807
(800) 854-3229



SUBMITTAL SHEET

MODEL 3300 • 3/4 H.P.

- High-speed 2700 r.p.m. permanent magnet motor produces more power per pound.
- Stainless steel grinding components.
- Fast and easy mount system provides a no hassle installation.
- Power cord included.
- Removable splash guard is included.
- Safe for properly sized septic tanks.
- Sound insulated for quiet operation.
- Longest warranties in the industry demonstrates commitment to quality.

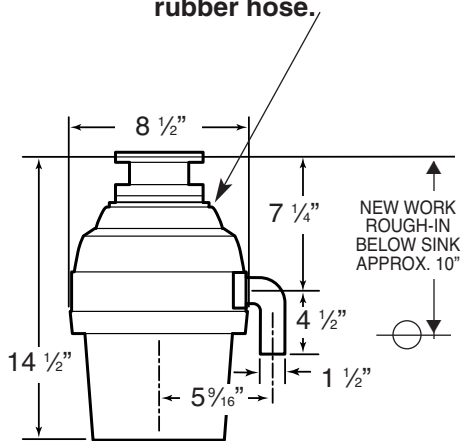


Ten Year In-Home and LIFETIME Corrosion Warranty (see below).



DIMENSIONS

Knock-out for dishwasher drain connector sized for 7/8" I.D. rubber hose.



Measurements are in inches

SPECIFICATIONS

Motor Horsepower	3/4 H.P.
Motor Speed R.P.M.	2700
Voltage	115
Hz	60
Current-Amps	6.0
Motor Type	Permanent Magnet
Power Cord	Attached
Stopper	Positive Seal
Sink Flange	Stainless Steel & Celcon
Splash Guard	Removable
Waste Elbow	ABS
Feed	Continuous
Grind Ring	Stainless Steel
Swivel Impellers	Cast Stainless Steel
Turntable	Stainless Steel
Hopper	Glass Filled Nylon
Grinding Chamber	Corrosion Proof Glass Filled Polyester
Bearings	Permanently Lubricated; Sleeve Type
Overload Protector	Manual Reset Type
Sound Shell	Yes-Full
Shipping Weight (lbs.)	12.53
Pallet Quantity	100

Due to continued product improvement, system configurations and specifications may change without notice.

Waste King® Warranty

Any Waste King Legend® Model 3300 less than 10 years old that develops a material or mechanical defect will be replaced, in your home free of charge.

LIFETIME WARRANTY AGAINST CORROSION.

Any Waste King Legend® Model 3300 that fails to operate because of corrosion will be repaired or replaced free of charge to the original purchaser. Labor not included.



4240 E. La Palma Avenue
Anaheim, California 92807
(800) 854-3229



SUBMITTAL SHEET
MODEL 5000TC • 3/4 H.P.
BATCHFEED DISPOSER

- Batch feed operation...No wall switch!
- High-speed 2700 r.p.m. permanent magnet motor produces more power per pound.
- Stainless steel, rust free grinding components.
- Fast and easy mount system provides a no hassle installation.
- Power cord included.
- Sound insulated for quiet operation.
- Safe for properly sized septic tanks.
- Longest warranties in the industry demonstrates commitment to quality.

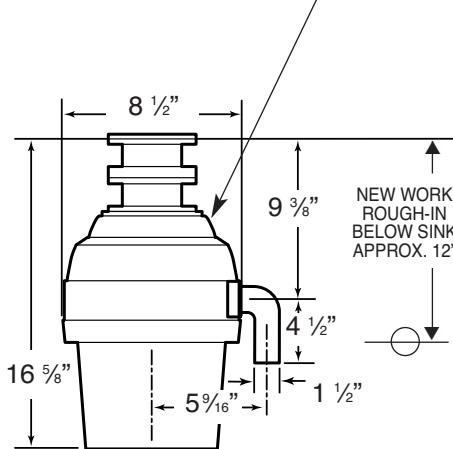


Ten Year In-Home Service Warranty
 (see below).



DIMENSIONS

Knock-out for dishwasher drain connector sized for 7/8" I.D. rubber hose.



Measurements are in inches

SPECIFICATIONS

Motor Horsepower	3/4 H.P.
Motor Speed R.P.M.	2700
Voltage	115
Hz	60
Current-Amps	6.0
Motor Type	Permanent Magnet
Power Cord	Attached
Sink Flange	Stainless Steel & Celcon
Stopper/Actuator	3 Position
Waste Elbow	ABS
Feed	Batch Loading
Grind Ring	Stainless Steel
Swivel Impellers	Cast Stainless Steel
Turntable	Stainless Steel
Hopper	Glass Filled Nylon
Grinding Chamber	Corrosion Proof Glass Filled Polyester
Bearings	Permanently Lubricated; Sleeve Type
Overload Protector	Manual Reset Type
Sound Shell	Yes-Full
Shipping Weight (lbs.)	13.84
Pallet Quantity	75

Waste King® Warranty

Any Waste King Legend® Model 5000TC less than 10 years old that develops a material or mechanical defect will be replaced, in your home free of charge .

Due to continued product improvement, system configurations and specifications may change without notice.



4240 E. La Palma Avenue
 Anaheim, California 92807
 (800) 854-3229



SUBMITTAL SHEET

MODEL 8000 • 1 H.P.

- High-speed 2800 r.p.m. permanent magnet motor produces more power per pound.
- Stainless steel grinding components.
- Fast and easy mount system provides a no hassle installation.
- Power cord included.
- Removable splash guard is included.
- Safe for properly sized septic tanks.
- Sound insulated for quiet operation.
- Longest warranties in the industry demonstrates commitment to quality.

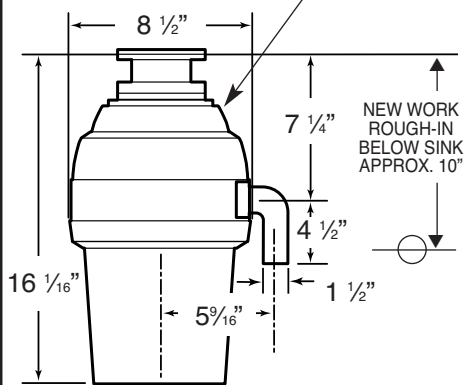


Limited LIFETIME In-Home Service Warranty (see below).



DIMENSIONS

Knock-out for dishwasher drain connector sized for 7/8" I.D. rubber hose.



Measurements are in inches

SPECIFICATIONS

Motor Horsepower	1 H.P.
Motor Speed R.P.M.	2800
Voltage	115
Hz	60
Current-Amps	7.0
Motor Type	Permanent Magnet
Power Cord	Attached
Stopper	Positive Seal
Sink Flange	Stainless Steel & Celcon
Splash Guard	Removable
Waste Elbow	ABS
Feed	Continuous
Grind Ring	Stainless Steel
Swivel Impellers	Cast Stainless Steel
Turntable	Stainless Steel
Hopper	Glass Filled Nylon
Grinding Chamber	Corrosion Proof Glass Filled Polyester
Bearings	Permanently Lubricated; Sleeve Type
Overload Protector	Manual Reset Type
Sound Shell	Yes-Full
Shipping Weight (lbs.)	14.83
Pallet Quantity	100

Waste King® Warranty

Any Waste King Legend® Model 8000 that fails to operate during the lifetime of the original purchaser, and limited to the original purchaser, will be replaced, in your home free of charge.

Due to continued product improvement, system configurations and specifications may change without notice.



4240 E. La Palma Avenue
Anaheim, California 92807
(800) 854-3229

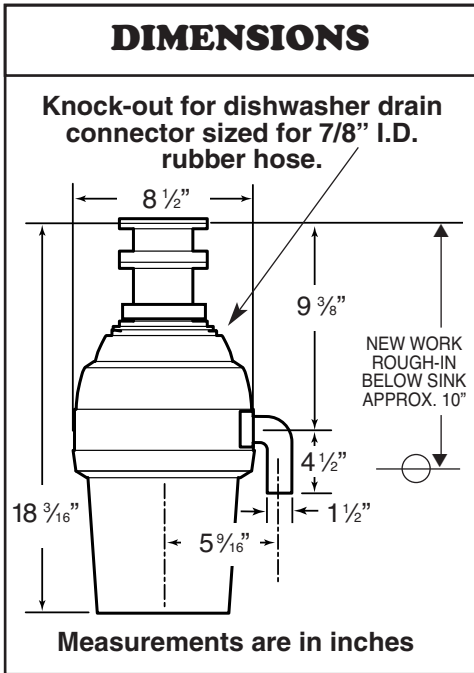


SUBMITTAL SHEET
MODEL 800TC • 1 H.P.
BATCHFEED DISPOSER

- Batch feed operation...No wall switch!
- High-speed 2800 r.p.m. permanent magnet motor produces more power per pound.
- Stainless steel, rust free grinding components.
- Fast and easy mount system provides a no hassle installation.
- Power cord included.
- Sound insulated for quiet operation.
- Safe for properly sized septic tanks.
- Longest warranties in the industry demonstrates commitment to quality.



Ten Year In-Home Service Warranty
 (see below).



SPECIFICATIONS

Motor Horsepower	1 H.P.
Motor Speed R.P.M.	2800
Voltage	115
Hz	60
Current-Amps	7.0
Motor Type	Permanent Magnet
Power Cord	Attached
Sink Flange	Stainless Steel & Celcon
Stopper/Actuator	3 Position
Waste Elbow	ABS
Feed	Batch Loading
Grind Ring	Stainless Steel
Swivel Impellers	Cast Stainless Steel
Turntable	Stainless Steel
Hopper	Glass Filled Nylon
Grinding Chamber	Corrosion Proof Glass Filled Polyester
Bearings	Permanently Lubricated; Sleeve Type
Overload Protector	Manual Reset Type
Sound Shell	Yes-Full
Shipping Weight (lbs.)	16.302
Pallet Quantity	100

Waste King® Warranty

Any Waste King Legend® Model 8000TC less than 10 years old that develops a material or mechanical defect will be replaced, in your home free of charge .

Due to continued product improvement, system configurations and specifications may change without notice.



4240 E. La Palma Avenue
Anaheim, California 92807
(800) 854-3229