



SUBMITTAL SHEET

9980 • 1 H.P.

PROFESSIONAL 3-BOLT MOUNT SYSTEM

- High-speed 2800 r.p.m. permanent magnet motor produces more power per pound.
- Stainless steel, rust free grinding components.
- Longest warranties in the industry demonstrates commitment to quality.
- Sound insulated for quiet operation.
- Safe for properly sized septic tanks.

SEPTIC SAFE

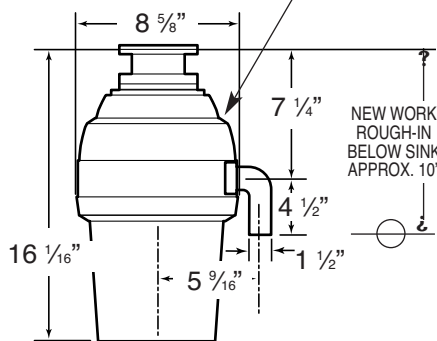


LIFETIME In-Home Service and LIFETIME Corrosion Warranty (see below)



DIMENSIONS

Knock-out for dishwasher drain connector sized for 7/8" I.D. rubber hose.



Measurements are in inches

WARRANTY

Any Model 9980 that fails to operate during the lifetime of the original purchaser and limited to the original purchaser, will be replaced in your home free of charge.

LIFETIME WARRANTY AGAINST CORROSION

Any Model 9980 that fails to operate because of corrosion will be repaired or replaced free of charge to the original purchaser. Labor not included.

SPECIFICATIONS

Motor Horsepower	1 H.P.
Motor Speed R.P.M.	2800
Voltage	115
Hz	60
Current-Amps	7.0
Motor Type	Permanent Magnet
Stopper	Positive Seal
Sink Flange	Stainless Steel
Splash Guard	Not Removable
Waste Elbow	ABS
Feed	Continuous
Grind Ring	Stainless Steel
Swivel Impellers	Cast Stainless Steel
Turntable	Stainless Steel
Hopper	Glass Filled Nylon
Grinding Chamber	Corrosion Proof Glass Filled Polyester
Bearings	Permanently Lubricated; Sleeve Type
Overload Protector	Manual Reset Type
Sound Shell	Yes-Full
Shipping Weight (lbs.)	15.91
Pallet Quantity	100

* 36" power cord is included.

Due to continued product improvement, specifications may change without notice.

Anaheim Manufacturing

4240 E. La Palma Avenue • Anaheim, California 92807
 (800) 854-3229
 www.wasteking.com