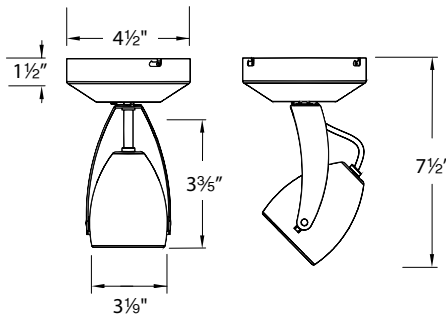


# IMPULSE – model: MO-LED810

LEDme® Monopoint

# WAC LIGHTING

Responsible Lighting®



Fixture Type:

Catalog Number:

Project:

Location:

## PRODUCT DESCRIPTION

Multiple diodes LED compact canopy mounted luminaire.

## FEATURES

- Energy Star® rated
- Can be wall or ceiling mounted
- Available interchangeable reflectors
- 360° horizontal rotation and 180° vertical aiming
- Free of projected heat, UV and IR radiation
- Replaceable LED module (consult factory)
- 60,000 hour rated life
- Meets 2013 California Title 24 Efficiency
- ETL & cETL listed
- 5 year WAC Lighting product warranty

## SPECIFICATIONS

**Construction:** Die-cast aluminum construction

**Light Source:** 10W Cree Multi-chip LED  
Total power consumption of 12W with integral driver

**Dimming:** Smooth and continuous ELV dimming to 10%

**Finish:** Powder coated Black (BK) and White (WT)

**Standards:** ETL & cETL Listed.

## ORDER NUMBER

Model #	Beam Spread	Color Temp	Finish
<b>MO-LED810</b>	<b>S</b> 20°	<b>927</b> 2700K (90 CRI)	<b>BK</b> Black <b>WT</b> White
		<b>27</b> 2700K	
	<b>F</b> 40°	<b>9W</b> 3000K (90 CRI)	
		<b>WW</b> 3000K	
	<b>35</b> 3500K		
	<b>CW</b> 4000K		

## Replacement Modules

2700K (90 CRI)	<b>BXRC-27G1000</b>
2700K	<b>BXRC-27E1000</b>
3000K	<b>BXRC-30G1000</b>
3000K (90 CRI)	<b>BXRC-30E1000</b>
3500K	<b>BXRC-35E1000</b>
4000K	<b>BXRC-40E1000</b>

**MO-LED810**  -  -

Example: **MO-LED810S-CW-BK**

## ACCESSORIES

Framing Projector	<b>008FP</b>	<b>BK</b> Black
Barn Door	<b>801BD</b>	<b>WT</b> White

## Interchangeable Reflectors

20°	<b>RF-S</b>
40°	<b>RF-F</b>

## WAC Lighting

www.waclighting.com

Phone (800) 526.2588 • Fax (800) 526.2585

## Headquarters/Eastern Distribution Center

44 Harbor Park Drive • Port Washington, NY 11050

Phone (516) 515.5000 • Fax (516) 515.5050

## Western Distribution Center

1750 Archibald Avenue • Ontario, CA 91760

Phone (800) 526.2588 • Fax (800) 526.2585