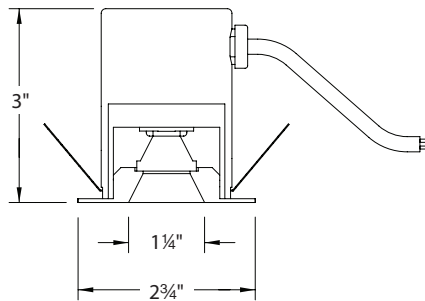


HR-LED271R

1" LEDme® Miniature Recessed Spot

WAC LIGHTING

Responsible Lighting®



Fixture Type:

Catalog Number:

Project:

Location:

PRODUCT DESCRIPTION

Square recessed trim with interior open reflector for use with a remote driver. Perfect for use under cabinets or in wall niches.

FEATURES

- 1" aperture
- Cutout: 2½"
- Less than 1/16" thick, super low profile trim
- Narrow flood beam spread
- 25° visual cut-off angle
- 350° horizontal rotation
- 100,000 hour rated life
- 5 year WAC Lighting product warranty

FIXTURE PERFORMANCE

Model #	Color Temp	Watt	Lumens	CRI
HR-LED271R-27	2700K	4W*	160	85
HR-LED271R-W	3000K	4W*	160	85
HR-LED271R-35	3500K	4W*	170	80
HR-LED271R-C	4500K	4W*	201	75

*Power consumption may vary depending on the efficiency of the system being used.

SPECIFICATIONS

Construction: Die-cast aluminum trim, aluminum heat sink and 20 gauge steel housing painted black.

Wiring: Socket and insulated wires are pre-installed within housing, wires lead out through the side of the housing for connection to remote driver.

Driver: Remote LEDme® electronic low voltage driver required (see below). Dimming and non-dimming drivers available. Use a multiple terminal block to wire up to 3 fixtures for dimmable drivers (4 for non-dimmable in a neat under cabinet installation without the use of open splices (see below).

Light Source: Includes one 3W ANSI compliant Warm/Neutral LED for the finest color consistency possible. Replacement modules available.

Dimming: May be dimmed to 10% with electronic low voltage (ELV) dimmer.

Mounting: Two heavy gauge inner retention clips push out onto mounting surface to firmly hold fixture in place. Accommodates surface up to 3/4" thick, 2½" cutout hole. Approved for use in ceilings with a Class 2 driver.

Finish: Available in White (WT) powder coat paint and electroplated Brushed Nickel (BN) and Gun Metal (GM).

Rating: Non-IC: insulation must be kept at least 3" away from the housing.

Standards: UL & CUL Listed.

ORDER NUMBER

Model #	Color Temp	Finish
HR-LED271R	27 2700K	BN Brushed Nickel
	W 3000K	GM Gun Metal
	35 3500K	WT White
	C 4500K	

FINISHES



REPLACEMENT MODULES

Model #	Color Temp
RM1X3-27-DL	2700K
RM1X3-30-DL	3000K
RM1X3-35-DL	3500K
RM1X3-45-DL	4500K

HR-LED271R - -

Example: HR-LED271R-C-GM

LEDme® REMOTE DRIVERS

Model #	Description	Type	Dimming	# Fixture	Dimensions
LD-700MA03-EDIM-IS	Electronic low voltage	Hardwire	Yes	1	L: 5 5/8" W: 1 5/8" H: 1 1/8"
LD-700MA09-EDIM-IS	Electronic low voltage	Hardwire	Yes	3	L: 7 1/8" W: 3 1/8" H: 1 5/8"
LED-700MA12-P	Electronic low voltage	Plug-In	No	4	L: 5" W: 3 1/8" H: 1 1/8"

See individual driver spec sheets for complete information.

MULTIPLE TERMINAL BLOCK

Model #	Dimensions
MTB-01	L: 3 1/4" W: 1 3/4" H: 7/8"

12.5A max accommodates up to 6 output connections for 14 AWG wires.

WAC Lighting

www.waclighting.com

Phone (800) 526.2588 • Fax (800) 526.2585

Headquarters/Eastern Distribution Center

44 Harbor Park Drive • Port Washington, NY 11050

Phone (516) 515.5000 • Fax (516) 515.5050

Western Distribution Center

1750 Archibald Avenue • Ontario, CA 91760

Phone (800) 526.2588 • Fax (800) 526.2585

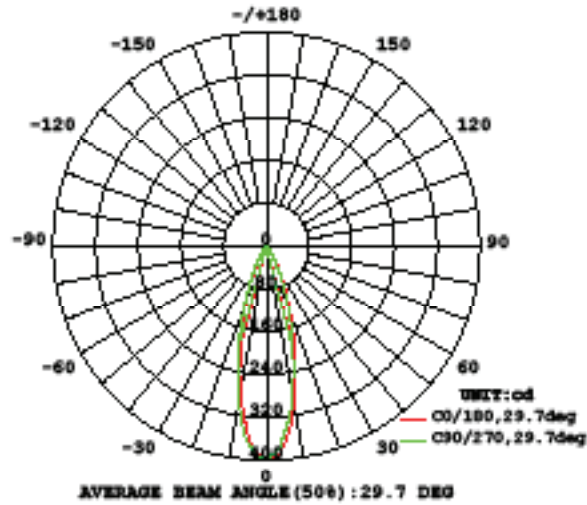
HR-LED271R

Photometrics

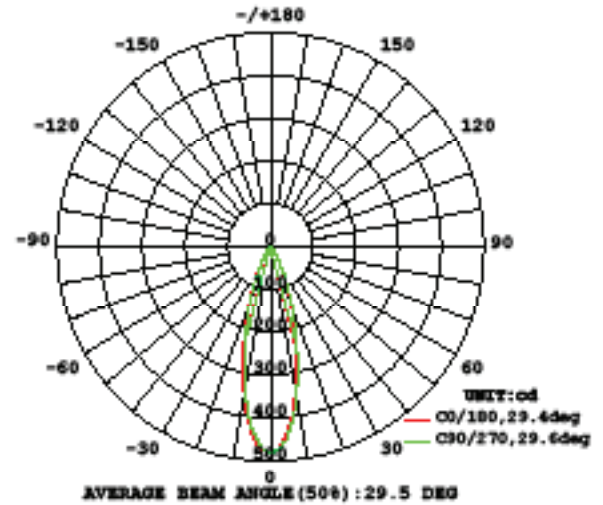
WAC LIGHTING

Responsible Lighting®

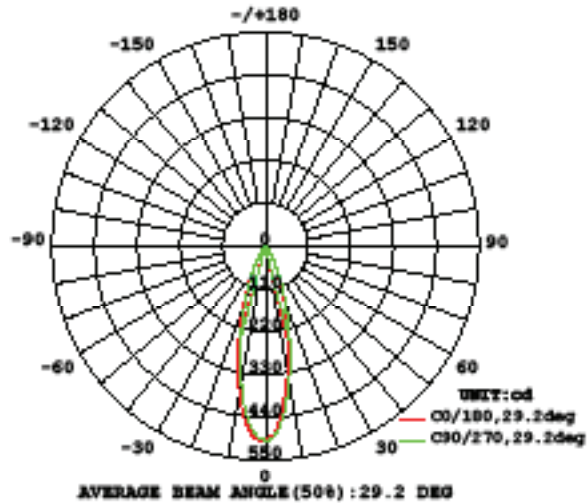
2700K



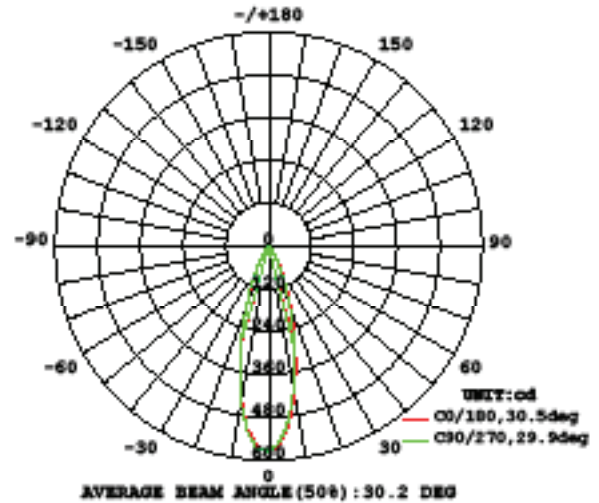
3000K



3500K



4500K



WAC Lighting
www.waclighting.com
Phone (800) 526.2588 • Fax (800) 526.2585

Headquarters/Eastern Distribution Center
44 Harbor Park Drive • Port Washington, NY 11050
Phone (516) 515.5000 • Fax (516) 515.5050

Western Distribution Center
1750 Archibald Avenue • Ontario, CA 91760
Phone (800) 526.2588 • Fax (800) 526.2585