

INSTALLATION INSTRUCTION

Quick Connect™ Canopy - Sloped Ceiling

QMP-S60ERN

WAC LIGHTING
Responsible Lighting®

SAFETY INSTRUCTION

- Always turn off power at fuse box prior to installation to prevent electrical shock.
- For installation by a qualified electrician.

OVERVIEW

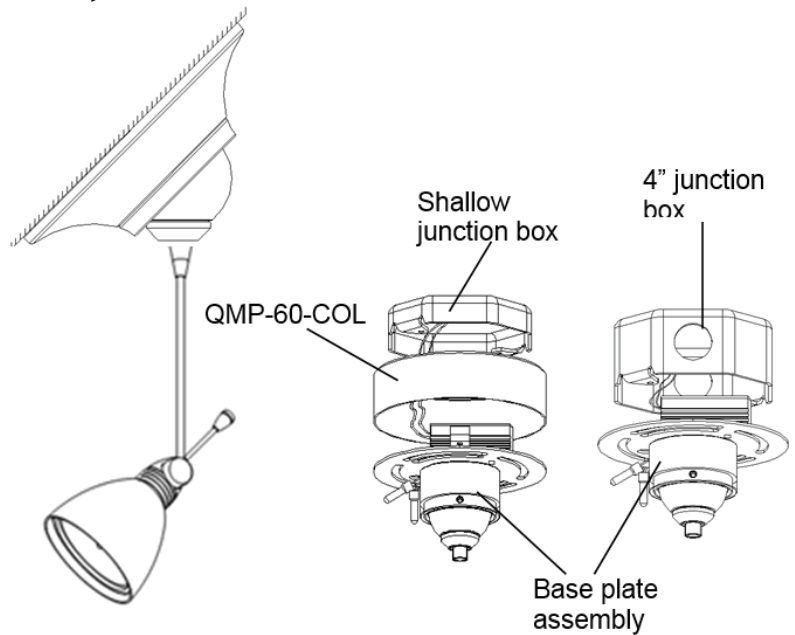
QMP-S60ERN canopy is designed to fit all WAC quick connect fixtures and pendants (50W max). The canopy comes with a self-contained electronic transformer that may be dimmed with an electronic low voltage dimmer switch.

QMP-S60ERN works with QMP-60-COL when installing over a shallow junction box.

QMP-S60ERN is designed for adjustable sloped ceiling

SHALLOW JUNCTION BOX INSTALLATION

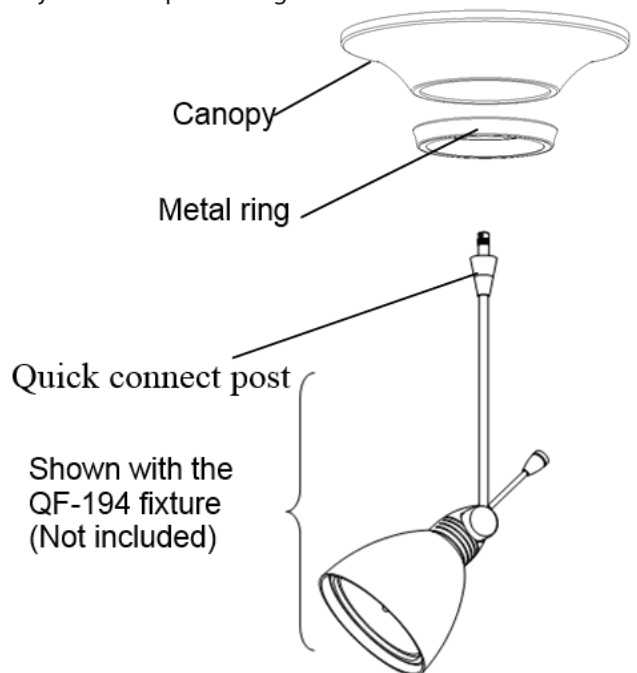
1. Cut out: 4 1/8"
2. Mount QMP-60-COL to shallow (1/2") junction box with two screws supplied
3. Remove the metal ring from QMP-S60ERN and separate the canopy from base plate
4. Connect corresponding line volt wires from the junction box to transformer wires (white wire connect to white wire and black wire connect to black wire) with wire nuts supplied. Tuck excess wire into the junction box.
5. Connect ground wire from junction box to the green grounding wire from the base plate.
6. Mount base plate assembly to QMP-60-COL with two mount screws supplied.
7. Mount canopy to surface and tighten metal ring to Quick connect fitting
8. Install quick connect fixture or pendant by inserting quick connect post into fitting and threading clockwise until snug



Design for adjustable sloped ceiling

4" JUNCTION BOX INSTALLATION

1. Cut out: 4 1/8"
2. Remove the metal ring from QMP-S60ERN and separate the canopy from base plate
3. Connect corresponding line volt wires from the junction box to transformer wires (white wire connect to white wire and black wire connect to black wire) with wire nuts supplied. Tuck excess wire into the junction box.
4. Connect ground wire from junction box to the green grounding wire from the base plate.
5. Mount base plate assembly to 4" junction box with two mount screws supplied.
6. Mount canopy to surface and tighten metal ring to Quick connect fitting
7. Install quick connect fixture or pendant by inserting quick connect post into fitting and threading clockwise until snug



Retain instructions for future reference.

WAC Lighting
www.waclighting.com
Phone (800) 526.2588 • Fax (800) 526.2585

Headquarters/Eastern Distribution Center
44 Harbor Park Drive • Port Washington, NY 11050
Phone (516) 515.5000 • Fax (516) 515.5050

Western Distribution Center
1750 Archibald Ave • Ontario, CA 91761
Phone (800) 526.2588 • Fax (800) 526.2585