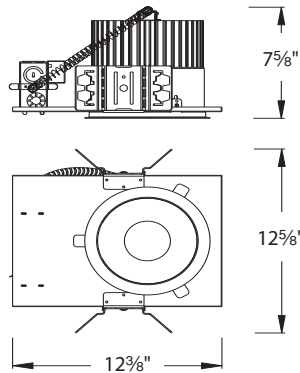
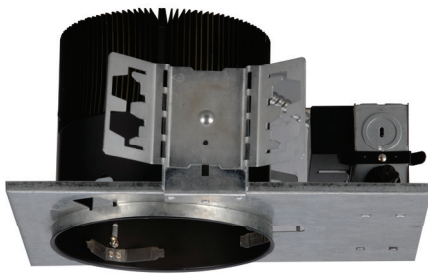


WR-6RTLD – 6" Plana LED

Non-IC, New Construction Housing



Fixture Type:

Catalog Number:

Project: _____

Location: _____

PRODUCT DESCRIPTION

6 inch Plana Non-IC new construction housing, includes one 30W LED module. For use with Plana 6 inch trims.

FEATURES

- Cutout: 6 7/8"
- Replaceable LED modules
- Advanced LED technology for maximum brightness
- Uses ANSI compliant LEDs for the finest color consistency possible
- Accommodates ceiling thickness up to 1"
- UL and CUL Listed for wet locations
- 50,000 hour rated life
- 5 year WAC Lighting product warranty

SPECIFICATIONS

Construction: Aluminum heat sink painted black. Housing and junction box are 20 gauge steel. Frame and hanger bars are heavy gauge galvanized steel.

J-Box: Seven knockouts and four Romex® style wiring connectors provided for ease of installation. Rated for branch wiring.

Driver: 120/277V AC, 50/60Hz input, 30W max load. Power factor >0.9. Dimming with thermal protection.

Light Source: Includes either a 30W Bridgelux BXRA or Xicato XSM LED module. ANSI compliant Warm/Neutral LED modules for the finest color consistency possible. Replacement modules available.

Dimming: May be dimmed to 20% with a 0–10V dimmer.

Mounting: Standard housing includes butterfly brackets which mount to 1/2" emt or channel and are vertically adjustable. Accommodates surface up to 1" thick. 6 7/8" cutout hole.

Rating: Non-IC: insulation must be kept at least 3" away from the housing.

Standards: UL Listed for wet locations.

ORDER NUMBER

LED Module	Model	Volt		Color Temp		
Bridgelux	WR-6RTLD	30	120V	27	2700K	T
			277V	30	3000K	
		30H		35	3500K	
				40	4000K	
Xicato	WR-6RTLD	30-X	120V	27	2700K	T
			277V	30	3000K	
		30H-X		35	3500K	
				40	4000K	

FIXTURE PERFORMANCE

Watt	Lumens	Efficacy	Typical CRI
29W	1310	45 Lm/W	82
	1380	48 Lm/W	
	1510	52 Lm/W	
	1565	54 Lm/W	
29W	1180	41 Lm/W	95
	1190	41 Lm/W	
	1230	42 Lm/W	
	1290	44 Lm/W	

WR-6RTLD - **T**

Example: **WR-6RTLD30-27T**

COMPATIBLE TRIMS

Model #	Description	Finish – Reflector/Trim	
WR-6R1LD-T	Round, Open Reflector Downlight	HZ/WT	Haze/White
		SC/WT	Specular Clear/White
		WT/WT	White/White

Example: **WR-6R1LD-T-BN/BN**

See individual trim spec sheets for complete information.

WAC Lighting
www.waclighting.com
Phone (800) 526.2588 • Fax (800) 526.2585

Headquarters/Eastern Distribution Center
44 Harbor Park Drive • Port Washington, NY 11050
Phone (516) 515.5000 • Fax (516) 515.5050

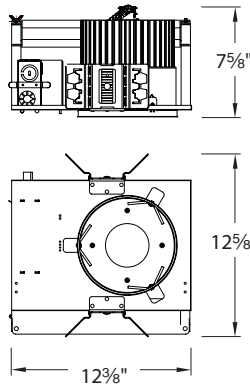
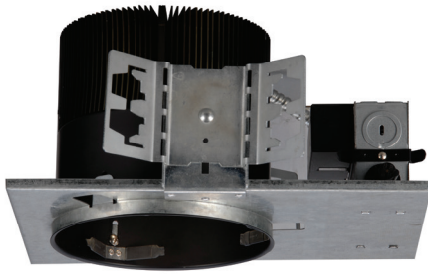
Western Distribution Center
1750 Archibald Avenue • Ontario, CA 91760
Phone (800) 526.2588 • Fax (800) 526.2585

WR-6RTLD – 6" Plana LED

Non-IC, New Construction Housing

Emergency Backup Battery

WAC LIGHTING
Responsible Lighting®



Fixture Type:

Catalog Number:

Project:

Location:

PRODUCT DESCRIPTION

6 inch Plana Non-IC new construction housing, includes one 30W LED module. For use with Plana 6 inch trims.

FEATURES

- Cutout: 6 7/8"
- Replaceable LED modules
- Advanced LED technology for maximum brightness
- Uses ANSI compliant LEDs for the finest color consistency possible
- Accommodates ceiling thickness up to 1"
- UL and CUL Listed for wet locations
- 50,000 hour rated life
- 5 year WAC Lighting product warranty

SPECIFICATIONS

Construction: Aluminum heat sink painted black. Housing and junction box are 20 gauge steel. Frame and hanger bars are heavy gauge galvanized steel.

J-Box: Seven knockouts and four Romex® style wiring connectors provided for ease of installation. Rated for branch wiring.

Driver: 120/277V AC, 50/60Hz input, 30W max load. Power factor >0.9. Dimming with thermal protection. 90 min emergency backup battery.

Light Source: Includes either a 30W Bridgelux BXRA or Xicato XSM LED module. ANSI compliant Warm/Neutral LED modules for the finest color consistency possible. Replacement modules available.

Dimming: May be dimmed to 20% with a 0–10V dimmer.

Mounting: Standard housing includes butterfly brackets which mount to 1/2" emt or channel and are vertically adjustable. Accommodates surface up to 1" thick. 6 7/8" cutout hole.

Rating: Non-IC: insulation must be kept at least 3" away from the housing.

Standards: UL Listed for wet locations.

ORDER NUMBER

LED Module	Model	Volt		Color Temp		
Bridgelux	WR-6RTLD	30	120V	27	2700K	EM
			277V	30	3000K	
		30H	120V	35	3500K	
			277V	40	4000K	
Xicato	WR-6RTLD	30-X	120V	27	2700K	EM
			277V	30	3000K	
		30H-X	120V	35	3500K	
			277V	40	4000K	

FIXTURE PERFORMANCE

Watt	Lumens	Efficacy	Typical CRI
29W	1310	45 Lm/W	82
	1380	48 Lm/W	
	1510	52 Lm/W	
	1565	54 Lm/W	
29W	1180	41 Lm/W	95
	1190	41 Lm/W	
	1230	42 Lm/W	
	1290	44 Lm/W	

WR-6RTLD – **EM**

Example: **WR-6RTLD30-27EM**

COMPATIBLE TRIMS

Model #	Description	Finish – Reflector/Trim	
WR-6R1LD-T	Round, Open Reflector Downlight	HZ/WT	Haze/White
		SC/WT	Specular Clear/White
		WT/WT	White/White

Example: **WR-6R1LD-T-BN/BN**

See individual trim spec sheets for complete information.

WAC Lighting
www.waclighting.com
Phone (800) 526.2588 • Fax (800) 526.2585

Headquarters/Eastern Distribution Center
44 Harbor Park Drive • Port Washington, NY 11050
Phone (516) 515.5000 • Fax (516) 515.5050

Western Distribution Center
1750 Archibald Avenue • Ontario, CA 91760
Phone (800) 526.2588 • Fax (800) 526.2585