

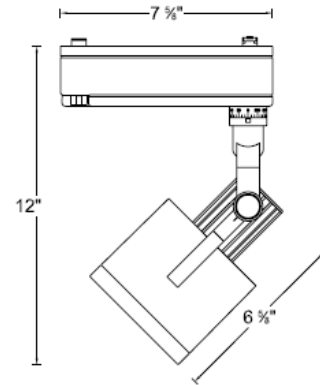
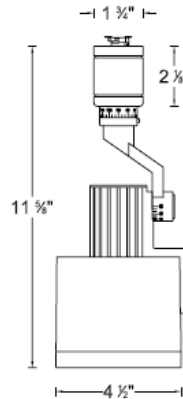


615 South Street
 Garden City, NY 11530
 Tel: 866.788.2100 Fax: 516.393.3084
 www.W2lighting.com

CATALOG NUMBER	TYPE
PROJECT	

VAMP SPOT – METAL HALIDE TRACK HEAD

SERIES HID 202



Ordering Matrix

Model	Beam Angle	Wattage	Finish
<input type="text"/>	<input type="text"/>	<input type="text"/>	<input type="text"/>
JHT-HID202	S = 15° N = 25° F = 40°	20E = 20W 39E = 35W 70E = 70W	BK = Black WT = White PT = Platinum

Ordering Example (model –beam-wattage- finish) : JTK–HID202N-39E–WT

Product Details

Description: Metal Halide track head using T4 lamps. Designed for use on W.A.C. J & J2 tracks. May be used on W2 track with converter. Adaptable to other manufacturer’s track. (Consult factory for specific brands).

Materials: Die-cast aluminum fixture, cap ring and check ring. Clear 1/8 inch tempered glass lens included.

Ballast:

	20W	35W	70W
(VS) ANSI #	M156	M130	M98 / 139
Line Current	0.20A	0.38A	0.64A
Input Power	23W	45W	77W
Input Voltage	120V	120V	120V
Power Factor	> 90%	> 90%	> 90%
Sound Rating	A	A	A

Socket: Ceramic Bi-Pin HID G8.5

Aiming: 350° horizontal rotation and 90° vertical aiming with indexing scales. Spring loaded buttons lock to secure the aiming adjustment on horizontal and vertical axis.

Lamping: Re-lamps from the front using HID T4 lamps. Lamp not included.

Finish: Powder coat paint finish. Available in Black (BK), White (WT), Platinum (PT).

Listing: UL & CUL Listed. Patent Pending.

Specification Features

- Die-cast aluminum fixture with integral indexing scales to assure precise directional adjustment.
- Threaded lens cap holds up to 4 lenses and accessories securely.
- The HID202 track head utilizes the second circuit on the J2 style track with the use of the JCLIP.
- The track head may be used on W2 style track with the use of CV-2T-MH (for 120V)
- 5 year product warranty.

Track Adaptor Information

Standard Adaptor
For J style
W2 & W.A.C track



J2 Adaptor
For J2 style
W2 & W.A.C track



JCLIP
Ordered when using track
heads on 2nd circuit of J2



Converter Information

CV-2T-MH On 120V W2 style track



Compatible Accessories –USE SIZE 30

• **Dichroic Lens**
LENS-30-DIC-COLOR

• **UV Filter**
LENS-30-UV

• **IR Filter**
LENS-30-IR

• **UV- IR Filter**
LENS-30-UI

• **Beam Elongator**
LENS-30-BEL

• **Beam Soft/Beam Spread Lens**
LENS-30-BSL / LENS-30-SPR

• **Block Screen**
LENS-303-BS/ LENS-304-BS/ LENS-305-BS

• **Hood (for wall-washing)**
HOOD-30-BK

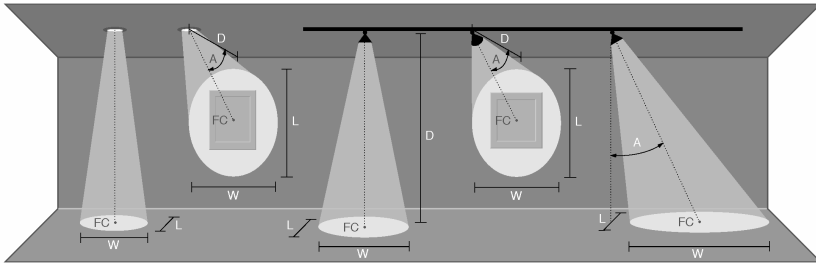
• **Cross Louver**
LENS-302-CRL

• **Snoot**
LENS-30-SNOOT

• **Honeycomb Louver**
LENS-302-HCL

• **Barn Door**
TL-30-BD

Photometry

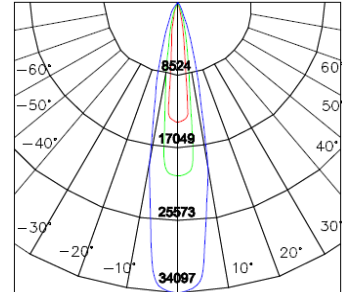


D Distance To Fixture From Wall Or Floor
FC Initial Footcandle Level At Center Of Beam
L Beam Length (where candlepower drops to 50% of maximum)
W Beam Width (where candlepower drops to 50% of maximum)

JTK HID202S T4 20W 15 DEG				
0° Aiming Angle				
D(ft)	FC	W	L	
6	390	1.6	1.6	
9	173	2.4	2.4	
12	98	3.2	3.2	
15	62	3.9	3.9	
45° Aiming Angle				
D(ft)	FC	W	L	
6	138	3.2	2.2	
9	61	4.8	3.4	
12	35	6.4	4.5	
15	22	8.0	5.6	

JTK HID202S T4 35W 15 DEG				
0° Aiming Angle				
D(ft)	FC	W	L	
6	563	1.6	1.6	
9	250	2.4	2.4	
12	141	3.2	3.2	
15	90	3.9	3.9	
45° Aiming Angle				
D(ft)	FC	W	L	
6	199	3.2	2.2	
9	88	4.8	3.4	
12	50	6.4	4.5	
15	32	8.0	5.6	

JTK HID202S T4 70W 15 DEG				
0° Aiming Angle				
D(ft)	FC	W	L	
6	947	1.6	1.6	
9	421	2.4	2.4	
12	237	3.2	3.2	
15	152	3.9	3.9	
45° Aiming Angle				
D(ft)	FC	W	L	
6	335	3.2	2.2	
9	149	4.8	3.4	
12	84	6.4	4.5	
15	54	8.0	5.6	

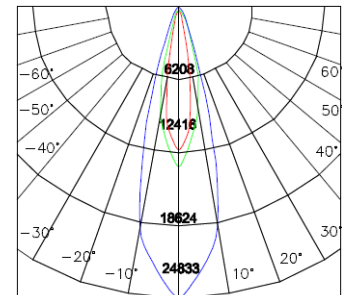


— 20W CBCP 14053
— 39W CBCP 20263
— 70W CBCP 34097

JTK HID202N T4 20W 25 DEG				
0° Aiming Angle				
D(ft)	FC	W	L	
6	339	2.7	2.7	
9	151	4.0	4.0	
12	85	5.3	5.3	
15	54	6.7	6.7	
45° Aiming Angle				
D(ft)	FC	W	L	
6	120	5.6	3.8	
9	53	8.4	5.6	
12	30	11.2	7.5	
15	19	14.0	9.4	

JTK HID202N T4 35W 25 DEG				
0° Aiming Angle				
D(ft)	FC	W	L	
6	379	2.7	2.7	
9	169	4.0	4.0	
12	95	5.3	5.3	
15	61	6.7	6.7	
45° Aiming Angle				
D(ft)	FC	W	L	
6	134	5.6	3.8	
9	60	8.4	5.6	
12	34	11.2	7.5	
15	21	14.0	9.4	

JTK HID202N T4 70W 25 DEG				
0° Aiming Angle				
D(ft)	FC	W	L	
6	690	2.7	2.7	
9	307	4.0	4.0	
12	172	5.3	5.3	
15	110	6.7	6.7	
45° Aiming Angle				
D(ft)	FC	W	L	
6	244	5.6	3.8	
9	108	8.4	5.6	
12	61	11.2	7.5	
15	39	14.0	9.4	

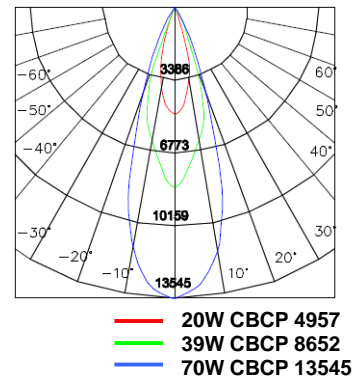


— 20W CBCP 12199
— 39W CBCP 13660
— 70W CBCP 24833

JTK HID202F T4 20W 40 DEG			
0° Aiming Angle			
D(ft)	FC	W	L
6	138	4.4	4.4
9	61	6.6	6.6
12	34	8.7	8.7
15	22	10.9	10.9
45° Aiming Angle			
D(ft)	FC	W	L
6	49	10.1	6.2
9	22	15.1	9.3
12	12	20.1	12.4
15	8	25.2	15.4

JTK HID202F T4 35W 40 DEG			
0° Aiming Angle			
D(ft)	FC	W	L
6	240	4.4	4.4
9	107	6.6	6.6
12	60	8.7	8.7
15	38	10.9	10.9
45° Aiming Angle			
D(ft)	FC	W	L
6	85	10.1	6.2
9	38	15.1	9.3
12	21	20.1	12.4
15	14	25.2	15.4

JTK HID202F T4 70W 40 DEG			
0° Aiming Angle			
D(ft)	FC	W	L
6	376	4.4	4.4
9	167	6.6	6.6
12	94	8.7	8.7
15	60	10.9	10.9
45° Aiming Angle			
D(ft)	FC	W	L
6	133	10.1	6.2
9	59	15.1	9.3
12	33	20.1	12.4
15	21	25.2	15.4



W2 Architectural Lighting reserves the right to modify the design of our products as part of our continuous improvement program.