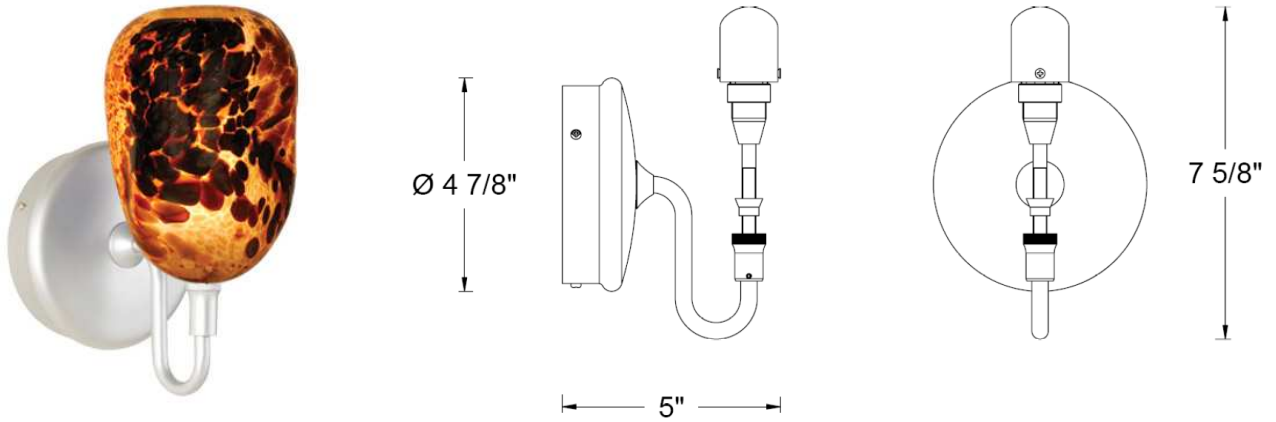


CATALOG NUMBER	TYPE
PROJECT	

DECORATIVE WALL SCONCE

LAVA



Ordering Matrix			
Model Number	Shade	Sconce Finishes	
<input type="text"/>	<input type="text"/>	<input type="text"/>	
WS61	G620BR	BN	CH

Ordering Example (model number-shade/ Sconce finishes): WS61-G620BR-BN

Product Details	
Description:	Low voltage wall sconce with round finished metal front fascia. The sconce is made of brass, with a plated Chrome or Brushed Nickel finish and a ceramic bi pin socket with screw-on etched bulb shield. Mounting canopy includes an integral electronic transformer.
Mounting:	Surface mounted. Installs to a standard 4" junction box.
Lamping	12V 50w halogen bi-pin included.
Transformer:	Integral Electronic Low Voltage Transformer. 120v/60hz input.
Sconce Finish:	CH = Chrome BN = Brushed Nickel
Shade:	LAVA G620BR - Brown The Lava family of hand blown cased art glass enjoys a striking blend of multiple colored frits and the unique contours of individually hand shaped forms. The organic flow of color and variable texture makes each piece one of a kind.
Listing:	UL & CUL Listed.

Specification Features
<ul style="list-style-type: none"> • Dimmable with low voltage electronic dimmers. • The screw-on bulb shield retains the glass shade and protects the lamp from dust and fingerprints. • The wall sconce is available in multiple standard glass shade styles and multiple color options • WAC electronic low voltage transformer includes auto reset, short and overload protection features. Transformer Soft Start delayed start feature extends lamp life by limiting abrupt inrush current to the lamp. • 5 year WAC Lighting product warranty.